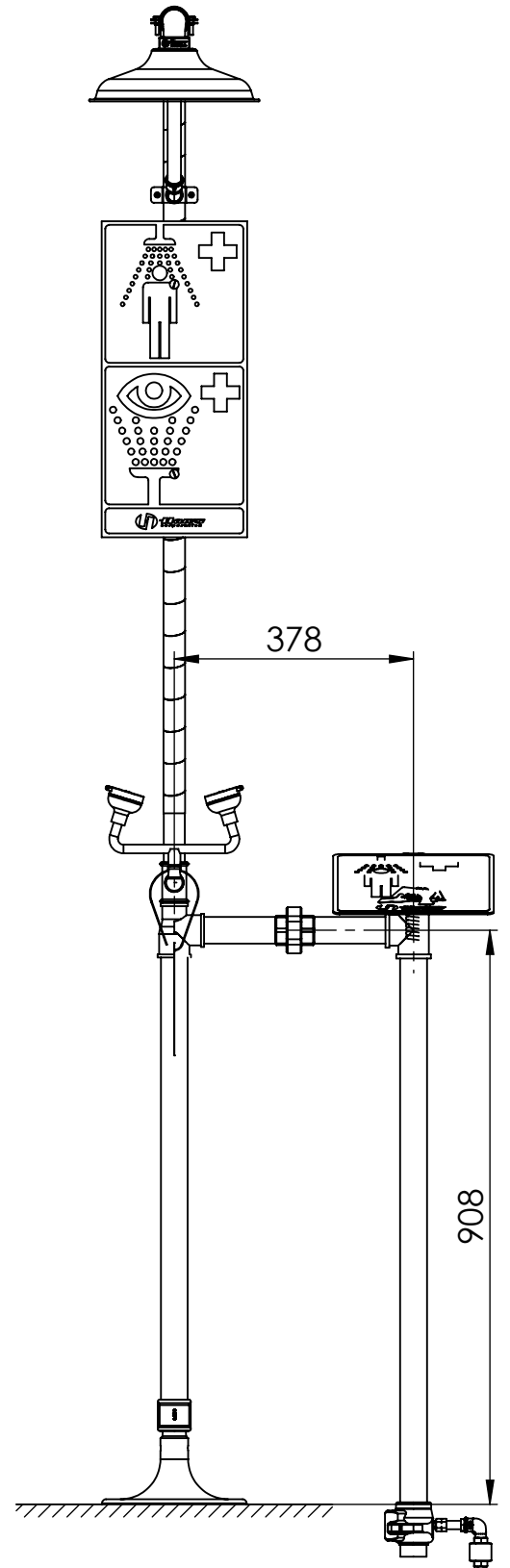
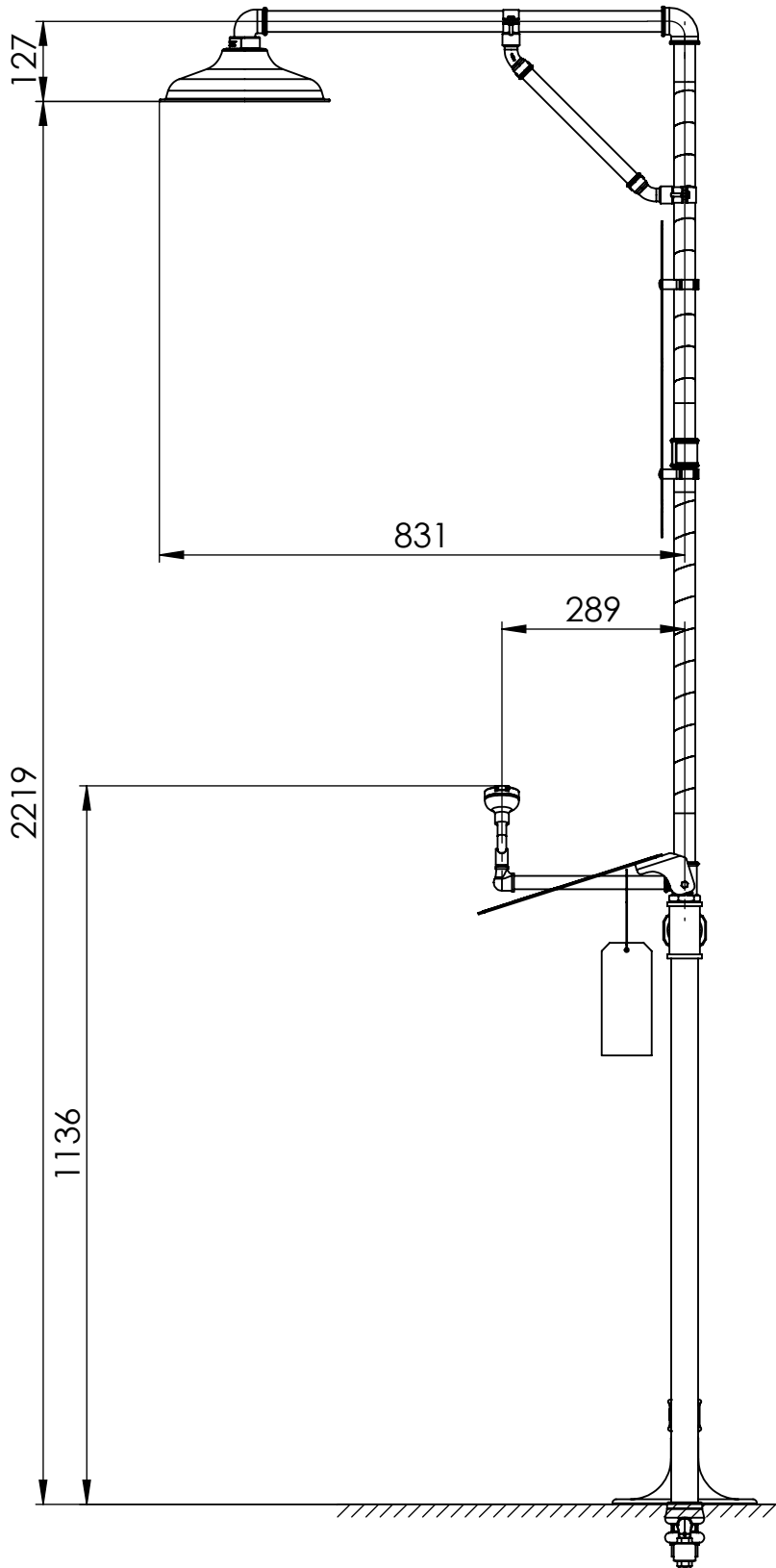



THIS DOCUMENT AND THE DATA DISCLOSED HEREIN OR HEREWITH IS NOT TO BE REPRODUCED, USED, OR DISCLOSED IN WHOLE OR IN PART TO ANYONE WITHOUT THE PERMISSION OF HAWS CORPORATION.

REVISIONS					
ZONE	REV	DESCRIPTION	ECN	DATE	BY



<b>Data Sheet</b>	ECN NO.		 1455 KLEPPE LN SPARKS, NV    BACHWEG 3 CH3401 BURGDORF SWITZERLAND    www.hawso.com 775-359-4712
	APPROVALS	DATE	
	DRAWN		
	CHECKED		
MATERIAL Material <nicht festgelegt>	Draw-Nr.		TITLE
	SIZE	PART NO.	REV.
	A4	8365EWFPK	
SCALE 1:11.5		PARTS BREAKDOWN	SHEET 1 OF 1