

MIG/MAG



Spare Parts List 2.0 / V1



Copyright

All texts, pictures, drawings and other information published in the spare parts list are subject to the copyright protection of Alexander Binzel Schweisstechnik GmbH & Co. KG, Germany – unless otherwise marked.

Any reproduction, even in part, is only allowed with the express written permission of Alexander Binzel Schweisstechnik GmbH & Co. KG, Germany.

Content

- **About us ...**

- **MIG/MAG Welding Torches "MB ERGO", "MB GRIP" and "RB"**
air and liquid cooled Chapter 1

- **MIG/MAG Welding Torches "ABIMIG® GRIP A"**
air cooled Chapter 2

- **MIG/MAG Welding Torches "ABIMIG® GRIP W"**
liquid cooled Chapter 3

- **MIG/MAG Welding Torches "ABIMIG®"**
liquid cooled Chapter 4

- **MIG/MAG Welding Torches Push-Pull "PP"**
air and liquid cooled Chapter 5

- **MIG/MAG Fume Extraction Torches "RAB Plus"**
air and liquid cooled Chapter 6

- **Handles GRIP and Modules** Chapter 7

- **Central adaptor and central connector system** Chapter 8

- **Spare Parts List (numerical)** Chapter 9

- **Standard Terms and Conditions of Deliveries and Services**

About us ...



A global leader.

With more than 850 employees, 30 production and sales companies, as well as over 20 exclusive partners, Alexander Binzel Schweißtechnik GmbH & Co. KG, founded in 1945, is one of the global leaders in arc welding and torch engineering.

In addition to the high quality product range, the company offers comprehensive individual solutions for welding-related production. Defined market attributes and guarantees for worldwide market success are: R&D strengths, high quality products, engineering expertise and our international sales, consulting and service network.

Trading partners and users all over the world can avail of a dedicated office and field consulting and support team.



Quality. Made by ABICOR BINZEL.

Our products are manufactured according to Binzel standards and international directives. Certificated according to DIN EN ISO 9001.

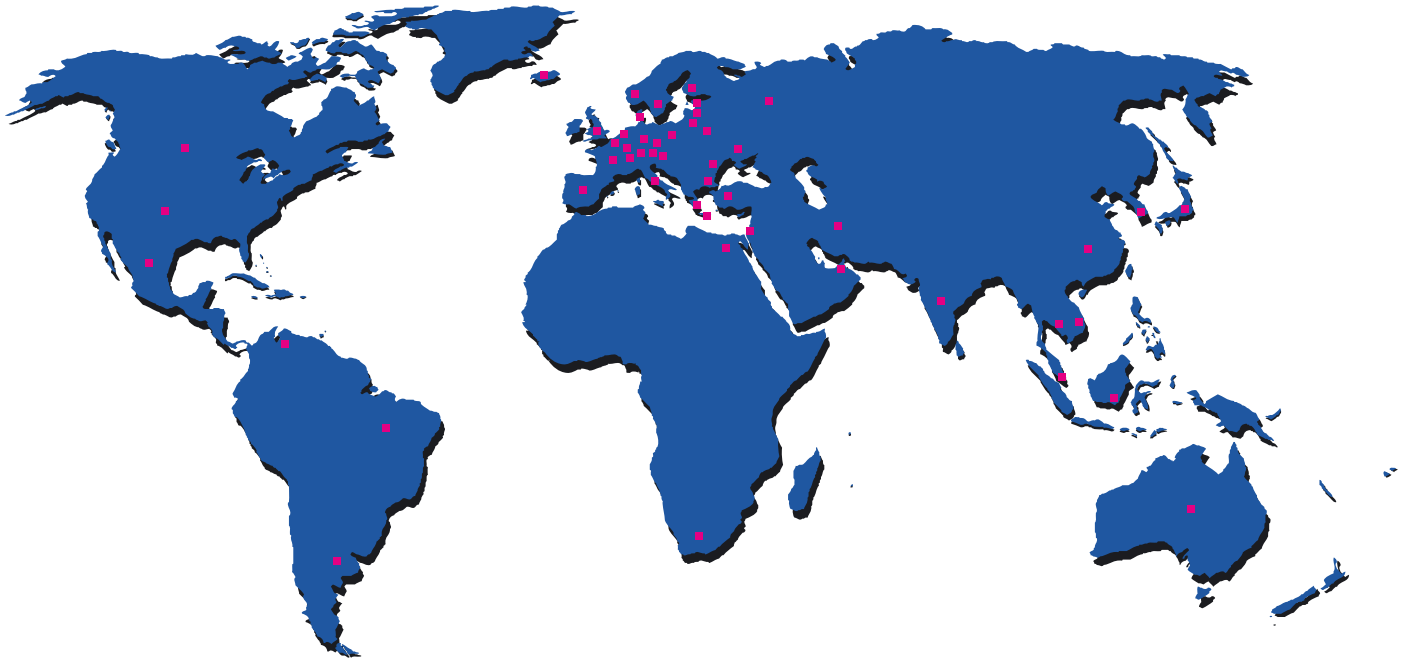
Innovation. Today and in future.

ABICOR BINZEL has its own R&D. Our modern laboratories cooperate with innovative science, research and industry experts throughout the world.



Global Player. Proximity to the customers – everywhere.

Worldwide proximity to the customers is one of the success points of the quality brand ABICOR BINZEL. In the last years the network of our subsidiaries and representatives was considerably widened. This ensures the global consulting, service and supply competence in the most important industrial countries. Further-on the worldwide coverage of the costumers with original parts and accessories is guaranteed.



Original brand name quality. Internationally represented in:

 Egypt	 Israel	 Spain
 Argentina	 Italy	 South Africa
 Australia	 Japan	 South Korea
 Belgium	 Canada	 Thailand
 Brazil	 Latvia	 Czech Republic
 Bulgaria	 Lithuania	 Turkey
 China	 Luxembourg	 Ukraine
 Denmark	 Mexico	 Hungary
 Germany	 Netherlands	 USA
 England	 Norway	 Venezuela
 Estonia	 Austria	 United Arab Emirates
 Finland	 Poland	 Vietnam
 France	 Romania	 Belarus
 Greece	 Russia	 Cyprus
 India	 Sweden	
 Indonesia	 Switzerland	
 Iran	 Singapore	
 Iceland	 Slovakia	



MIG/MAG Welding Torches

MB ERGO and RB

air and liquid cooled

“The robust quality classics”

The MIG/MAG torch series “MB” is available in air and liquid cooled variants and combines progressive technology and quality, enabling trouble-free operation for every application. All torches are thoroughly designed to provide comfortable and precise operation.

- Worldwide recognized top quality
- Ergonomically and technically mature and 100% reliable
- Optimum cooling of the torch – extending torch life
- Time-saving torch changeover due to the ABICOR BINZEL central adaptor system



Technical data
(EN 60 974-7)

MIG/MAG Welding Torches “MB ERGO” and “RB” (air cooled)

Type	Rating (A)		Duty cycle (%)	Wire size (mm)
	CO ₂	Mixed Gases M21		
MB ERGO 15 AK / AK-FX	180	150	60	0.6 - 1.0
MB ERGO 24 KD	250	220	35	0.8 - 1.2
MB ERGO 25 AK / AK-FX	230	200	60	0.8 - 1.2
MB ERGO 26 KD	230	200	35	0.8 - 1.2
MB ERGO 36 KD	300	270	60	0.8 - 1.2
RB 61 GD	500	400	60	1.6 - 3.2

FX=Flexible. Subject to change without notice.

MIG/MAG Welding Torches “MB ERGO” and “RB” (liquid cooled)

Type	Rating (A)		Duty cycle (%)	Wire size (mm)
	CO ₂	Mixed Gases M21		
MB ERGO 240 D	300	270	100	0.8 - 1.2
MB ERGO 401	450	400	100	0.8 - 1.2
MB ERGO 401 D	400	350	100	0.8 - 1.2
MB ERGO 501	550	500	100	1.0 - 1.6
MB ERGO 501 D	500	450	100	1.0 - 1.6
MB ERGO 602	600	550	100	1.0 - 1.6(2.4)
RB 610 D	650	-	100	1.6 - 3.2

Subject to change without notice.



MIG/MAG Welding Torches

MB GRIP

air and liquid cooled

“Excellent Ergonomics & Flexibility”

The MIG/MAG Torch series “MB GRIP” in air and liquid cooled variants is the finest solution of its kind. It combines progressive technology and quality with optimum ergonomics, enabling trouble-free operation for every application.

“GRIP” insert and ball joint in the handle guarantee high grip safety as well as optimal handling.

- Ergonomic short handle with “GRIP” insert – for best accessibility
- “GRIP”, soft components on the handle and thumb rest – positive handling even in extreme conditions
- Ball joint with optimal movement radius – perfect handling
- Optimum cooling of the torch – extending torch life
- BIKOX® R air cooled torches – high flexibility even at low temperatures, extremely UV resistant, considerably increased temperature resistance and tensile strength
- Time-saving torch change-over due to the ABICOR BINZEL central connector
- Ergonomically and technically mature and 100% reliable

Technical data (EN 60 974-7)

MIG/MAG Welding Torches “MB GRIP” (air cooled)

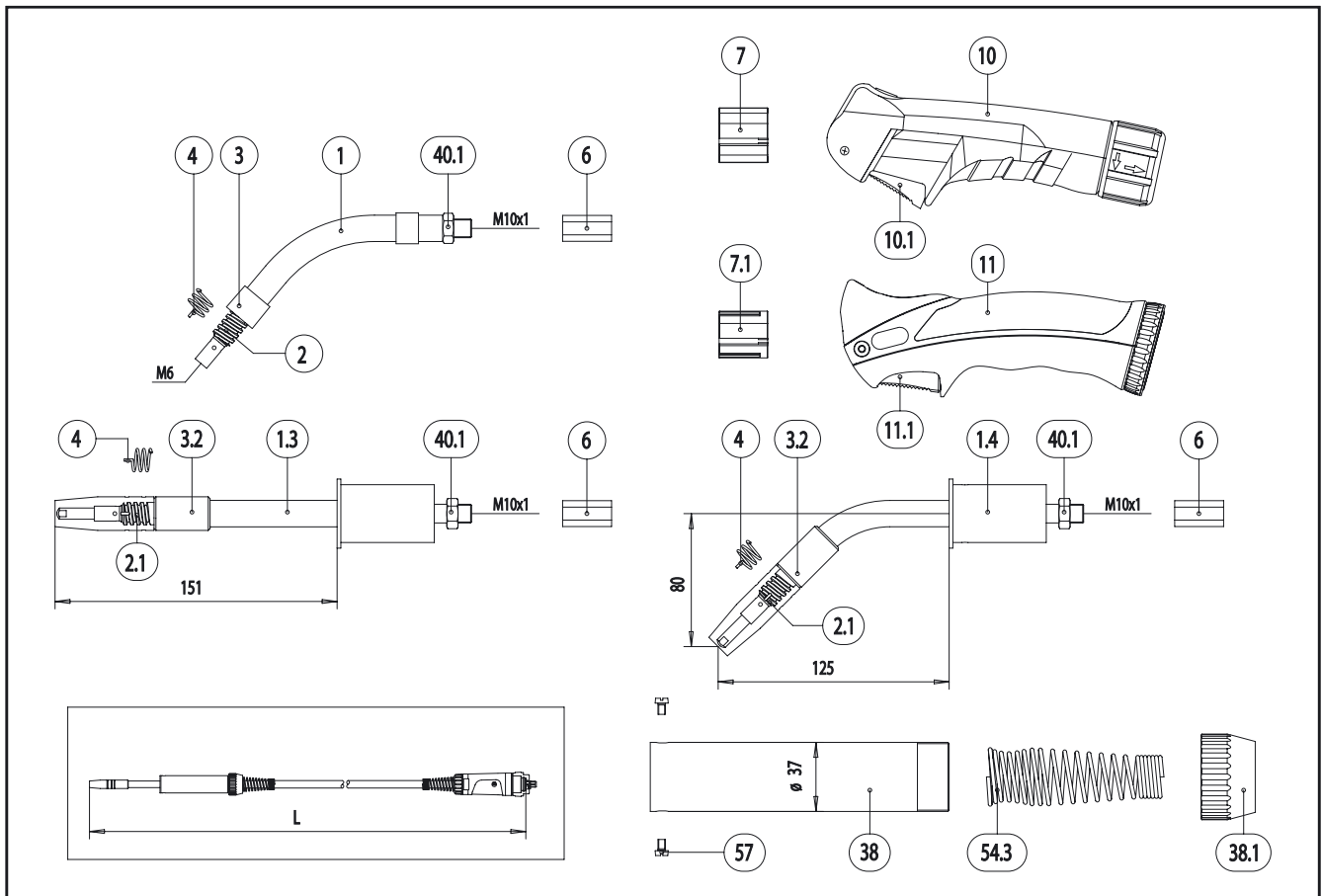
Type	Rating (A)		Duty cycle (%)	Wire size (mm)
	CO ₂	Mixed Gases M21		
MB GRIP 15 AK	180	150	60	0.6 - 1.0
MB GRIP 24 KD	250	220	60	0.8 - 1.2
MB GRIP 25 AK	230	200	60	0.8 - 1.2
MB GRIP 26 KD	270	240	60	0.8 - 1.2
MB GRIP 36 KD	320	290	60	0.8 - 1.2

MIG/MAG Welding Torches “MB GRIP” (liquid cooled)

Type	Rating (A)		Duty cycle (%)	Wire size (mm)
	CO ₂	Mixed Gases M21		
MB GRIP 240 D	300	270	100	0.8 - 1.2
MB GRIP 401	450	400	100	0.8 - 1.2
MB GRIP 401 D	400	350	100	0.8 - 1.2
MB GRIP 501	550	500	100	1.0 - 1.6
MB GRIP 501 D	500	450	100	1.0 - 1.6

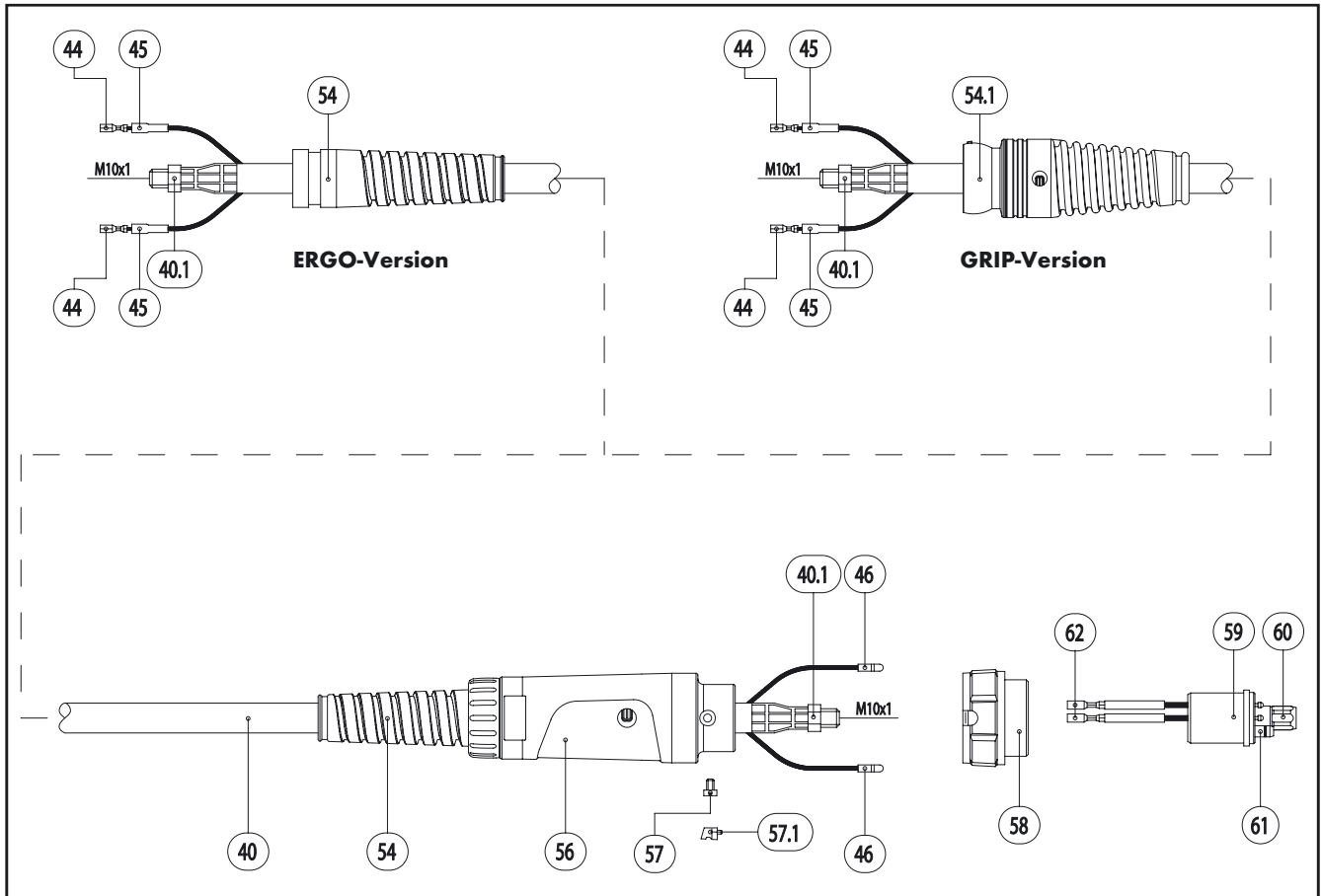
Subject to change without notice.

MIG/MAG Welding Torches MB ERGO 15 AK – MB GRIP 15 AK



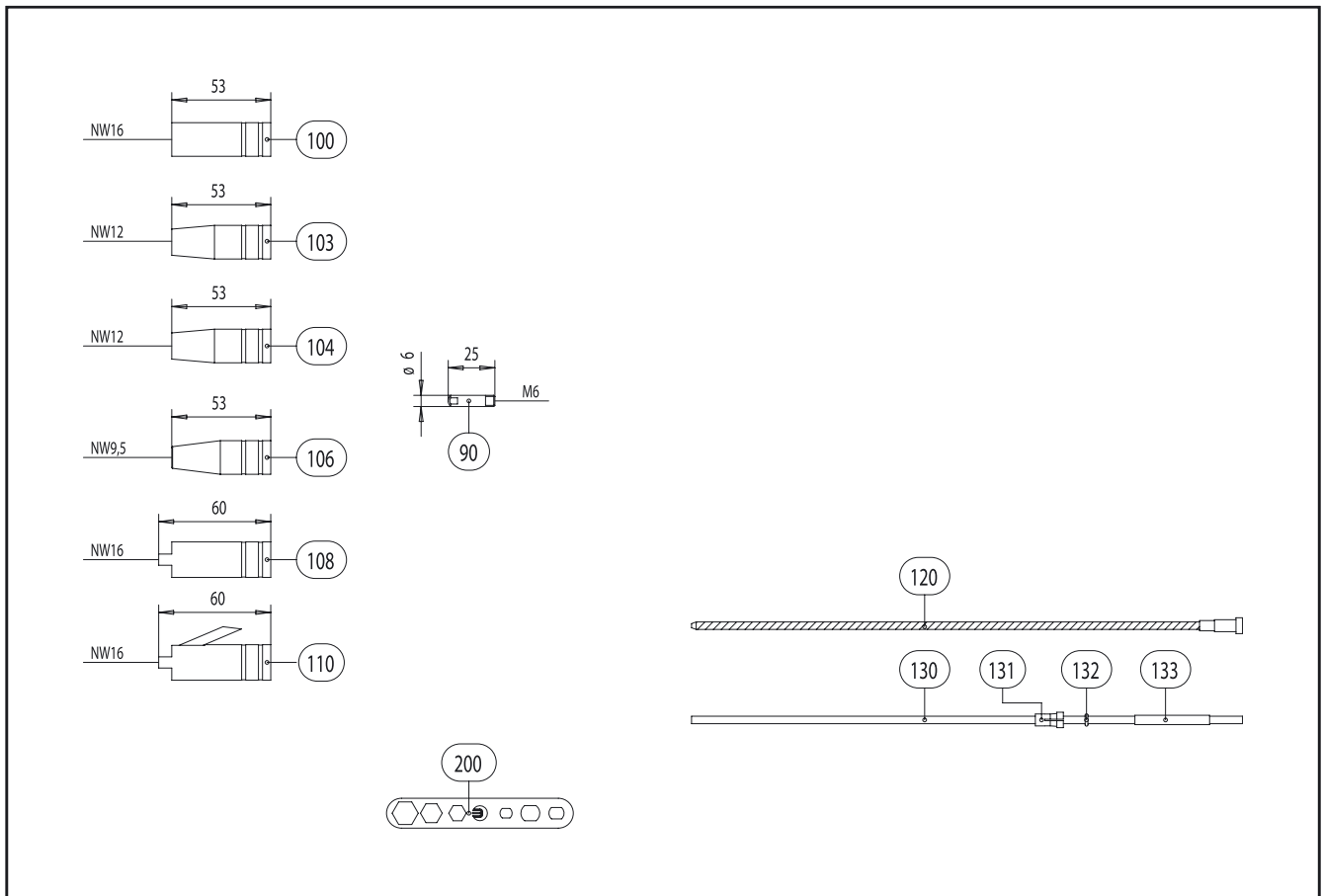
Pos.	Description	Units	Part-No.	Product-group
	Torch			
	MB 15 AK; ERGO; central adaptor KZ-2; 3.00 m		002.0449	1001
	MB 15 AK; ERGO; central adaptor KZ-2; 4.00 m		002.0450	1001
	MB 15 AK; ERGO; central adaptor KZ-2; 5.00 m		002.0451	1001
	MB 15 AK GRIP; central adaptor KZ-2; 3.00 m		002.0604	1001
	MB 15 AK GRIP; central adaptor KZ-2; 4.00 m		002.0605	1001
	MB 15 AK GRIP; central adaptor KZ-2; 5.00 m		002.0606	1001
	AUT 15 AK; 0°; handle tube; central adaptor KZ-2; 3.00 m		902.0022	1003
	AUT 15 AK; 45°; handle tube; central adaptor KZ-2; 3.00 m		902.0023	1003
	Swan neck			
1	Swan neck MB 15 AK; 50° bent		002.0009	1007
w/o. fig.	Swan neck MB 15 AK; flexible		002.0029	1007
1.3	Swan neck AUT 15 AK; straight		902.0003	1010
1.4	Swan neck AUT 15 AK; 45° bent		902.0004	1010
2	Gas nozzle holder		002.0078	1095
2.1	Gas nozzle holder AUT 15 AK		902.0007	1095
3	Head insulator	10 Pcs.	002.0050	1095
3.2	Head insulator AUT 15 AK		902.0015	1095
4	Nozzle spring	20 Pcs.	002.0058	1095
6	Torch body brass		400.0114	1095
7	Torch body plastic ERGO		400.1076	1095
7.1	Torch body plastic GRIP		400.0044	1095
	Handle ERGO			
10	ERGO handle with trigger cpl.		180.0076	1095
10.1	Trigger 2-pole		185.0031	9010
	Handle GRIP			
11	Handle GRIP with trigger cpl.		180.0127	1095
11.1	Trigger 2-pole GRIP		185.0101	9010

MIG/MAG Welding Torches MB ERGO 15 AK – MB GRIP 15 AK



Pos.	Description	Units	Part-No.	Product-group
Handle tube AUT				
38	Handle tube AUT		180.0097	1095
38.1	Coupling nut M38x2		400.0137	9010
Cable assembly				
40	Bikox® power cable MB ERGO, B4 for 3.00 m		160.0065	1011
40	Bikox® power cable MB ERGO, B4 for 4.00 m		160.0078	1011
40	Bikox® power cable MB ERGO, B4 for 5.00 m		160.0091	1011
40	Bikox® R-power cable MB GRIP / ABIMIG®, R4 for 3.00 m		160.D520	1311
40	Bikox® R-power cable MB GRIP / ABIMIG®, R4 for 4.00 m		160.D521	1311
40	Bikox® R-power cable MB GRIP / ABIMIG®, R4 for 5.00 m		160.D522	1311
w/o. fig.	Outer cover rubber Ø 20x1.5	40 m	105.0005	4050
40.1	Hexagon nut M10x1	10 Pcs.	001.0009	9010
44	Trigger wire connector	20 Pcs.	175.0022	9010
45	Insulating sleeve	20 Pcs.	400.0119	1095
46	Plug	20 Pcs.	175.0004	9010
54	Cable support ND 19		400.1010	1095
54.1	Ball joint cable support for MB GRIP (AC)		400.1124	1095
54.3	Cable support spring ND 19		500.0225	9010
56	Cable support machine side		501.2248	9010
57	Pan head screw M4x6	20 Pcs.	000.0552	9010
57.1	Screw cap 1	20 Pcs.	500.0251	9010
58	Adaptor nut M33x2		500.0213	9010
59	Central adaptor KZ-2		501.0003	1095
59	Central adaptor KZ-2 without control leads		501.0028	1095
60	Coupling nut M10x1	10 Pcs.	501.0082	9010
61	O-Ring 4x1	20 Pcs.	165.0002	9010
62	Trigger wire connector; female	20 Pcs.	175.0003	9010

MIG/MAG Welding Torches MB ERGO 15 AK – MB GRIP 15 AK

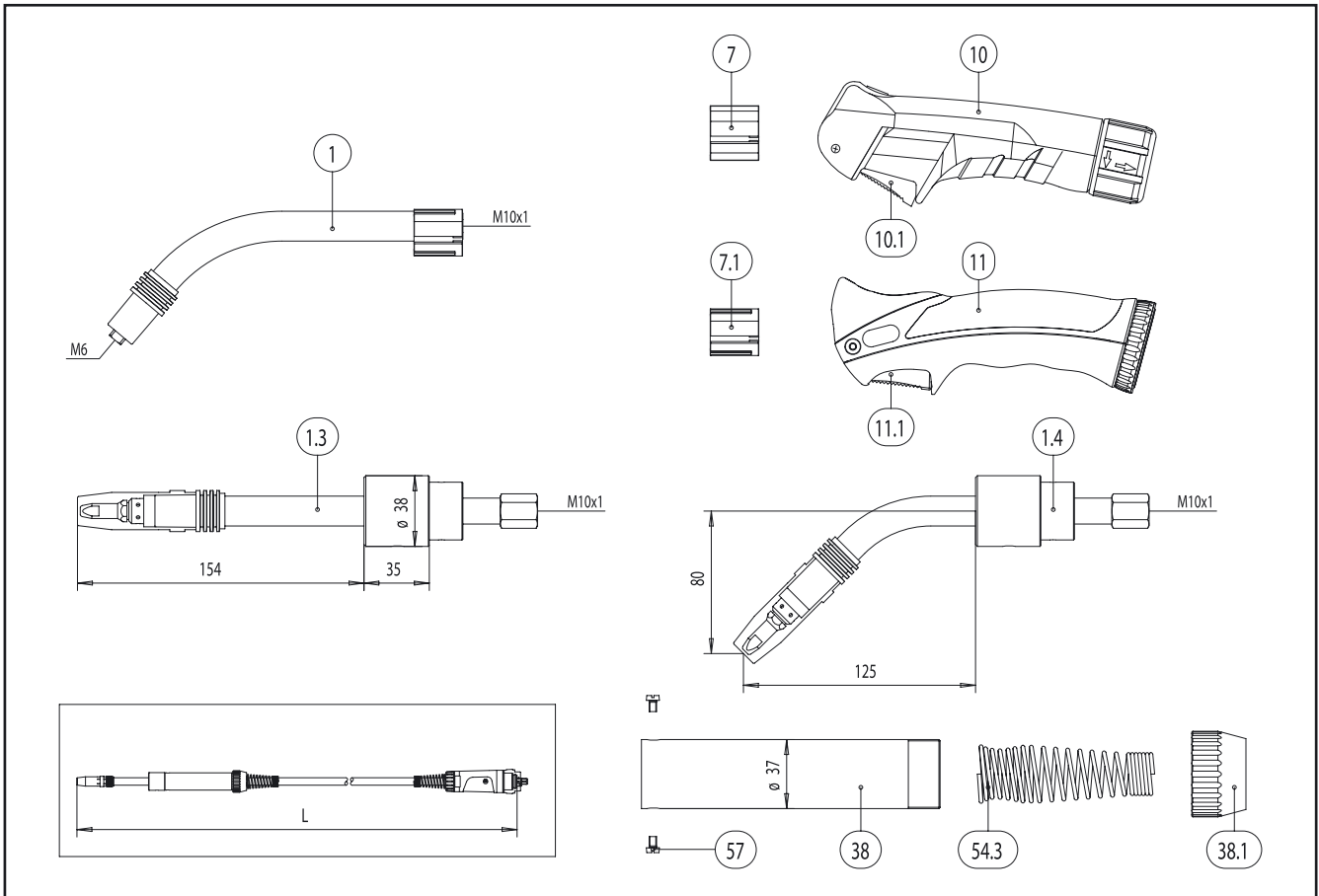


Pos.	Description	Units	Part-No.	Product-group
Wear parts				
90	Contact tip M6 E-Cu; Ø 0.6 (6x25)	10 Pcs.	140.0008	1030
90	Contact tip M6 E-Cu; Ø 0.8 (6x25)	10 Pcs.	140.0059	1030
90	Contact tip M6 E-Cu; Ø 1.0 (6x25)	10 Pcs.	140.0253	1030
90	Contact tip M6 CuCrZr; Ø 0.6 (6x25)	10 Pcs.	140.0855	1031
90	Contact tip M6 CuCrZr; Ø 0.8 (6x25)	10 Pcs.	140.0062	1031
90	Contact tip M6 CuCrZr; Ø 1.0 (6x25)	10 Pcs.	140.0256	1031
90	Contact tip M6 E-Cu; Ø 0.8 for alu wire (6x25)	10 Pcs.	141.0002	1030
90	Contact tip M6 E-Cu; Ø 1.0 for alu wire (6x25)	10 Pcs.	141.0007	1030
90	Contact tip M6 CuCrZr silver-plated; Ø 0.8 (6x25)	10 Pcs.	147.0062	1031
90	Contact tip M6 CuCrZr silver-plated; Ø 1.0 (6x25)	10 Pcs.	147.0256	1031
100	Gas nozzle; cylindrical; ND Ø 16.0	10 Pcs.	145.0041	1036
103	Gas nozzle; conical; ND Ø 12.0	10 Pcs.	145.0075	1036
104	Gas nozzle; conical; with extended insulation; ND Ø 12.0	10 Pcs.	145.0107	1036
106	Gas nozzle; tapered; ND Ø 9.5	10 Pcs.	145.0123	1036
108	Spot weld gas nozzle; ND Ø 16.0	10 Pcs.	145.0168	1036
110	Spot weld gas nozzle for pin-welding; ND Ø 16.0	10 Pcs.	145.0186	1036
120	Guide spiral liner insulated; 1.5/4.5; blue; for wire Ø 0.6 - 0.8; for 3.00 m		124.0011	1034
120	Guide spiral liner insulated; 1.5/4.5; blue; for wire Ø 0.6 - 0.8; for 4.00 m		124.0012	1034
120	Guide spiral liner insulated; 1.5/4.5; blue; for wire Ø 0.6 - 0.8; for 5.00 m		124.0015	1034
120	Guide spiral liner insulated; 2.0/4.5; red; for wire Ø 1.0 - 1.2; for 3.00 m		124.0026	1034
120	Guide spiral liner insulated; 2.0/4.5; red; for wire Ø 1.0 - 1.2; for 4.00 m		124.0031	1034
120	Guide spiral liner insulated; 2.0/4.5; red; for wire Ø 1.0 - 1.2; for 5.00 m		124.0035	1034
130	PTFE core liner 1.5/4.0; blue; wire electrode Ø 0.8 - 1.0; for 3.00 m		126.0005	1034
130	PTFE core liner 1.5/4.0; blue; wire electrode Ø 0.8 - 1.0; for 4.00 m		126.0008	1034
130	PTFE core liner 1.5/4.0; blue; wire electrode Ø 0.8 - 1.0; for 5.00 m		126.0011	1034
130	PTFE core liner 2.0/4.0; red; wire electrode Ø 1.0 - 1.2; for 3.00 m		126.0021	1034
130	PTFE core liner 2.0/4.0; red; wire electrode Ø 1.0 - 1.2; for 4.00 m		126.0026	1034

MIG/MAG Welding Torches MB ERGO 15 AK – MB GRIP 15 AK

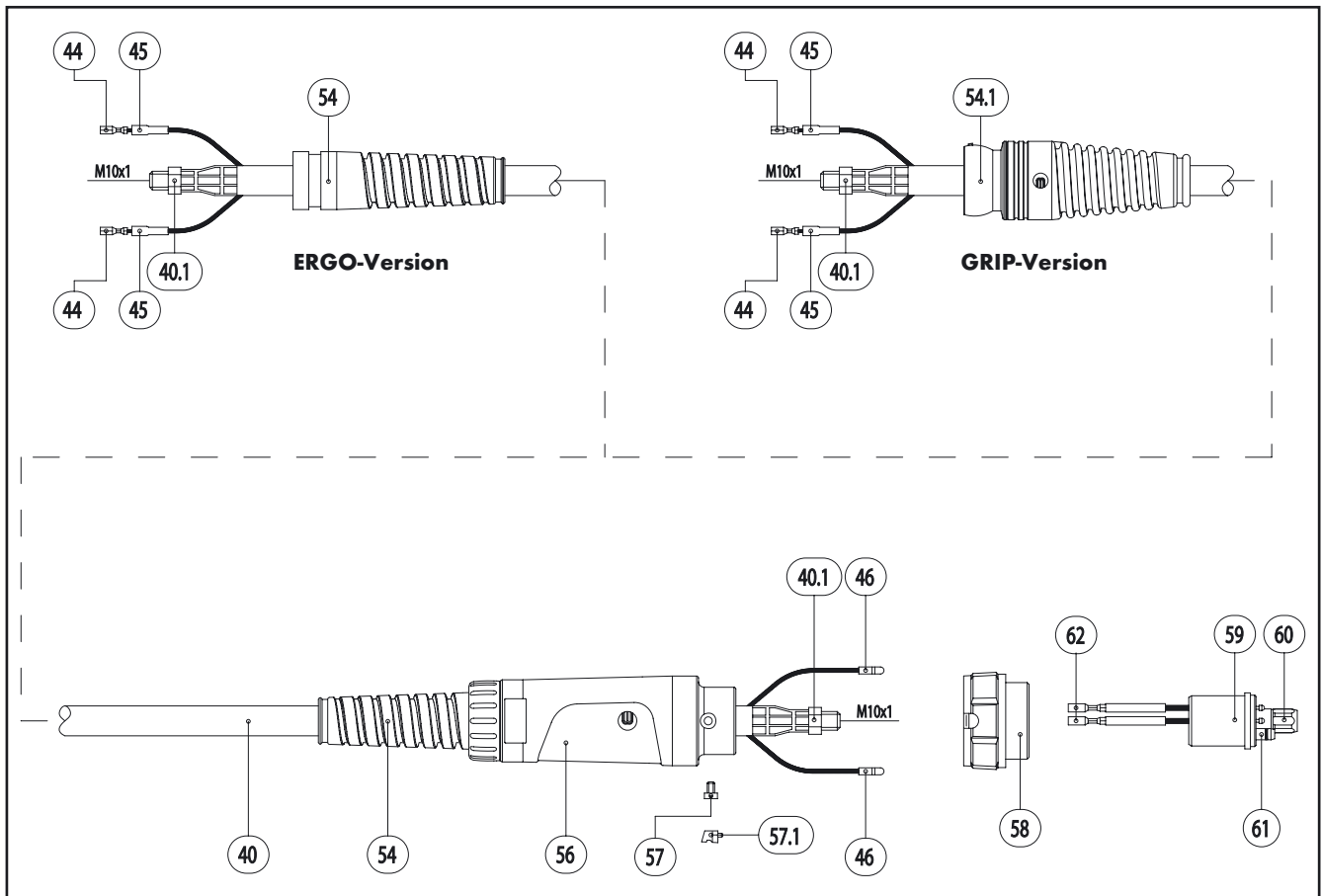
Pos.	Description	Units	Part-No.	Product-group
130	PTFE core liner 2.0/4.0; red; wire electrode Ø 1.0 - 1.2; for 5.00 m		126.0028	1034
130	PTFE carbon core liner 1.5/4.0; wire electrode Ø 0.8 - 1.0; for 3.00 m		127.0002	1034
130	PTFE carbon core liner 1.5/4.0; wire electrode Ø 0.8 - 1.0; for 4.00 m		127.0003	1034
130	PTFE carbon core liner 1.5/4.0; wire electrode Ø 0.8 - 1.0; for 5.00 m		127.0004	1034
130	PTFE carbon core liner 2.0/4.0; wire electrode Ø 1.0 - 1.2; for 3.00 m		127.0005	1034
130	PTFE carbon core liner 2.0/4.0; wire electrode Ø 1.0 - 1.2; for 4.00 m		127.0007	1034
130	PTFE carbon core liner 2.0/4.0; wire electrode Ø 1.0 - 1.2; for 5.00 m		127.0008	1034
131	Nipple for core liner at Ø 4.0	20 Pcs.	131.0001	1095
132	O-Ring 3.5x1.5	20 Pcs.	165.0008	9010
133	Guide tube for core liners up to Ø 4.0 (200 mm)		129.0461	1095
200	Spanner		191.0001	9010

MIG/MAG Welding Torches MB ERGO 24 KD – MB GRIP 24 KD



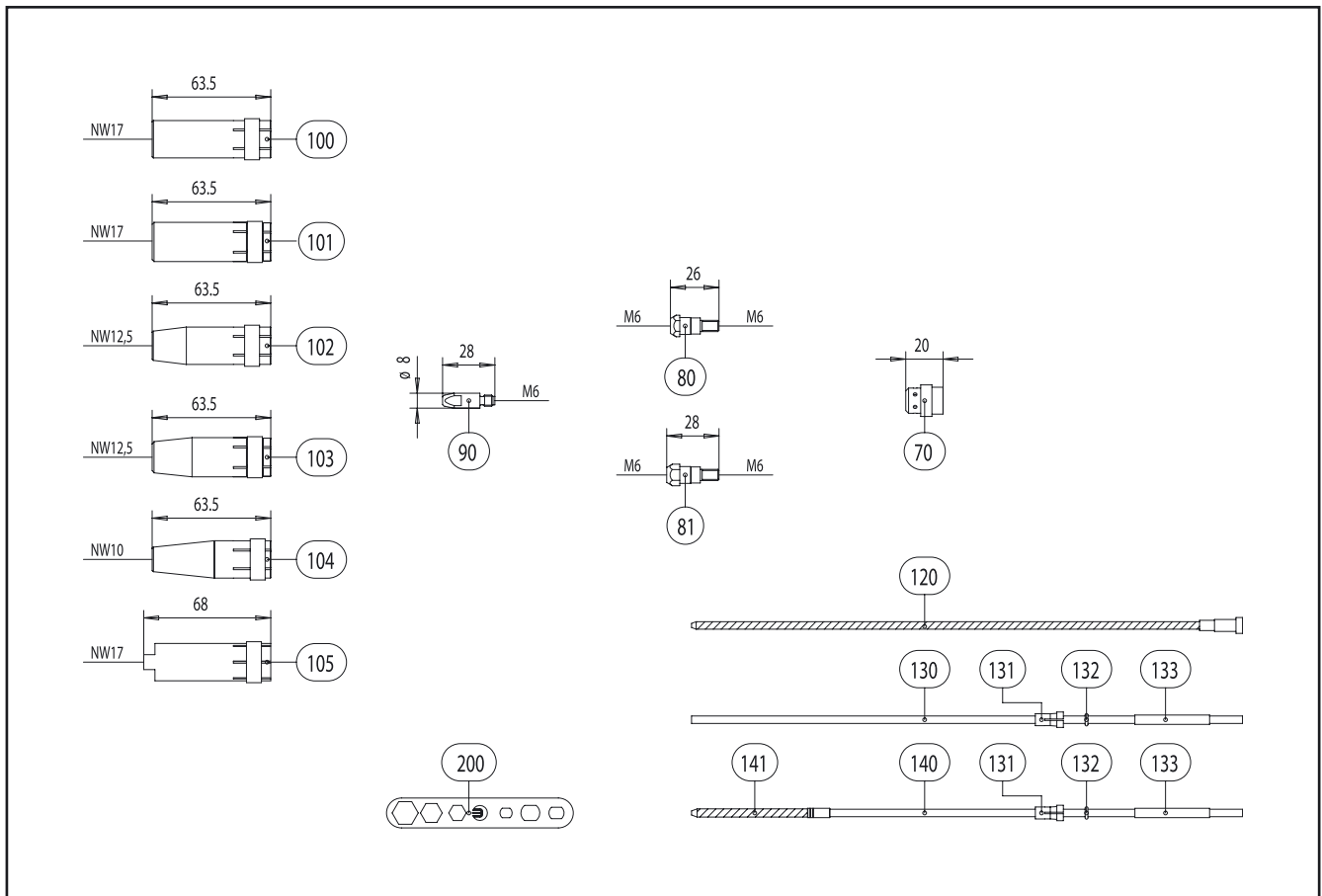
Pos.	Description	Units	Part-No.	Product-group
	Torch			
	MB 24 KD; ERGO; central adaptor KZ-2; 3.00 m		012.0103	1001
	MB 24 KD; ERGO; central adaptor KZ-2; 4.00 m		012.0104	1001
	MB 24 KD; ERGO; central adaptor KZ-2; 5.00 m		012.0105	1001
	MB 24 KD GRIP; central adaptor KZ-2; 3.00 m		012.0251	1001
	MB 24 KD GRIP; central adaptor KZ-2; 4.00 m		012.0252	1001
	MB 24 KD GRIP; central adaptor KZ-2; 5.00 m		012.0253	1001
	AUT 24 KD; 0°; handle tube; central adaptor KZ-2; 3.00 m		912.0009	1003
	AUT 24 KD; 45°; handle tube; central adaptor KZ-2; 3.00 m		912.0012	1003
	Swan neck			
1	Swan neck MB 24 KD; 50° bent		012.0001	1007
1.3	Swan neck AUT 24 KD; straight		912.0001	1010
1.4	Swan neck AUT 24 KD; 45° bent		912.0002	1010
7	Torch body plastic ERGO		400.1076	1095
7.1	Torch body plastic GRIP		400.0044	1095
	Handle ERGO			
10	ERGO handle with trigger cpl.		180.0076	1095
10.1	Trigger 2-pole		185.0031	9010
	Handle GRIP			
11	Handle GRIP with trigger cpl.		180.0127	1095
11.1	Trigger 2-pole GRIP		185.0101	9010
	Handle tube AUT			
38	Handle tube AUT		180.0097	1095
38.1	Coupling nut M38x2		400.0137	9010
	Cable assembly			
40	Bikox® power cable MB ERGO, B6 for 3.00 m		160.0239	1011
40	Bikox® power cable MB ERGO, B6 for 4.00 m		160.0255	1011
40	Bikox® power cable MB ERGO, B6 for 5.00 m		160.0267	1011

MIG/MAG Welding Torches MB ERGO 24 KD – MB GRIP 24 KD



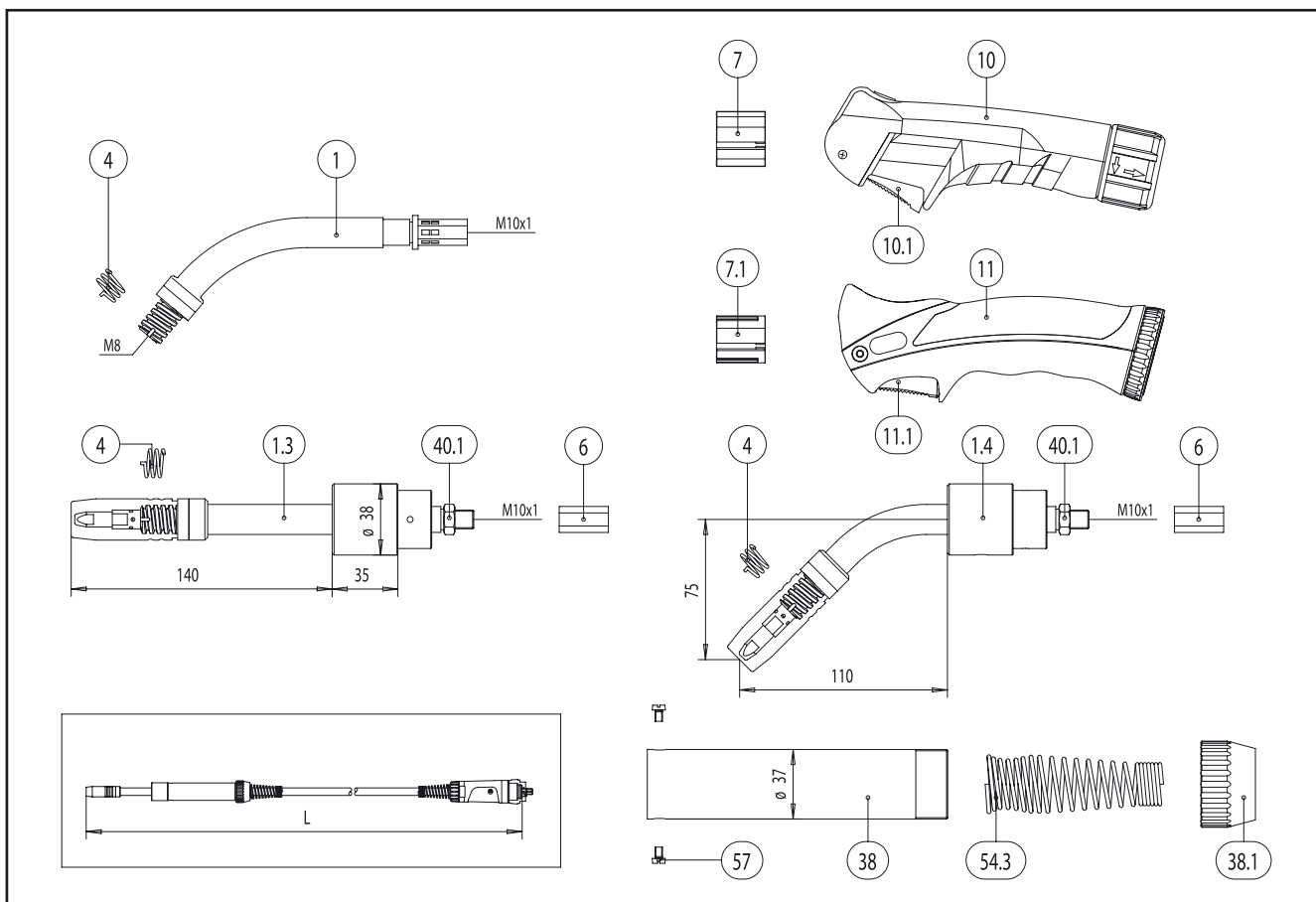
Pos.	Description	Units	Part-No.	Product-group
40	Bikox® R-power cable MB GRIP / ABIMIG®, R6 for 3.00 m		160.D430	1311
40	Bikox® R-power cable MB GRIP / ABIMIG®, R6 for 4.00 m		160.D431	1311
40	Bikox® R-power cable MB GRIP / ABIMIG®, R6 for 5.00 m		160.D432	1311
w/o. fig.	Outer cover rubber Ø 20x1.5	40 m	105.0005	4050
40.1	Hexagon nut M10x1	10 Pcs.	001.0009	9010
44	Trigger wire connector	20 Pcs.	175.0022	9010
45	Insulating sleeve	20 Pcs.	400.0119	1095
46	Plug	20 Pcs.	175.0004	9010
54	Cable support ND 19		400.1010	1095
54.1	Ball joint cable support for MB GRIP (AC)		400.1124	1095
54.3	Cable support spring ND 19		500.0225	9010
56	Cable support machine side		501.2248	9010
57	Pan head screw M4x6	20 Pcs.	000.0552	9010
57.1	Screw cap 1	20 Pcs.	500.0251	9010
58	Adaptor nut M33x2		500.0213	9010
59	Central adaptor KZ-2		501.0003	1095
59	Central adaptor KZ-2 without control leads		501.0028	1095
60	Coupling nut M10x1	10 Pcs.	501.0082	9010
61	O-Ring 4x1	20 Pcs.	165.0002	9010
62	Trigger wire connector; female	20 Pcs.	175.0003	9010
	Wear parts			
70	Gas diffuser, white	10 Pcs.	012.0183	1032
70	Gas diffuser, silicone rubber	10 Pcs.	012.0243	1032
80	Contact tip holder M6; 26.0 mm	10 Pcs.	142.0003	1033
81	Contact tip holder M6; 28.0 mm	10 Pcs.	142.0010	1033
90	Contact tip M6 E-Cu; Ø 0.8 (8x28)	10 Pcs.	140.0051	1030
90	Contact tip M6 E-Cu; Ø 1.0 (8x28)	10 Pcs.	140.0242	1030
90	Contact tip M6 E-Cu; Ø 1.2 (8x28)	10 Pcs.	140.0379	1030

MIG/MAG Welding Torches MB ERGO 24 KD – MB GRIP 24 KD



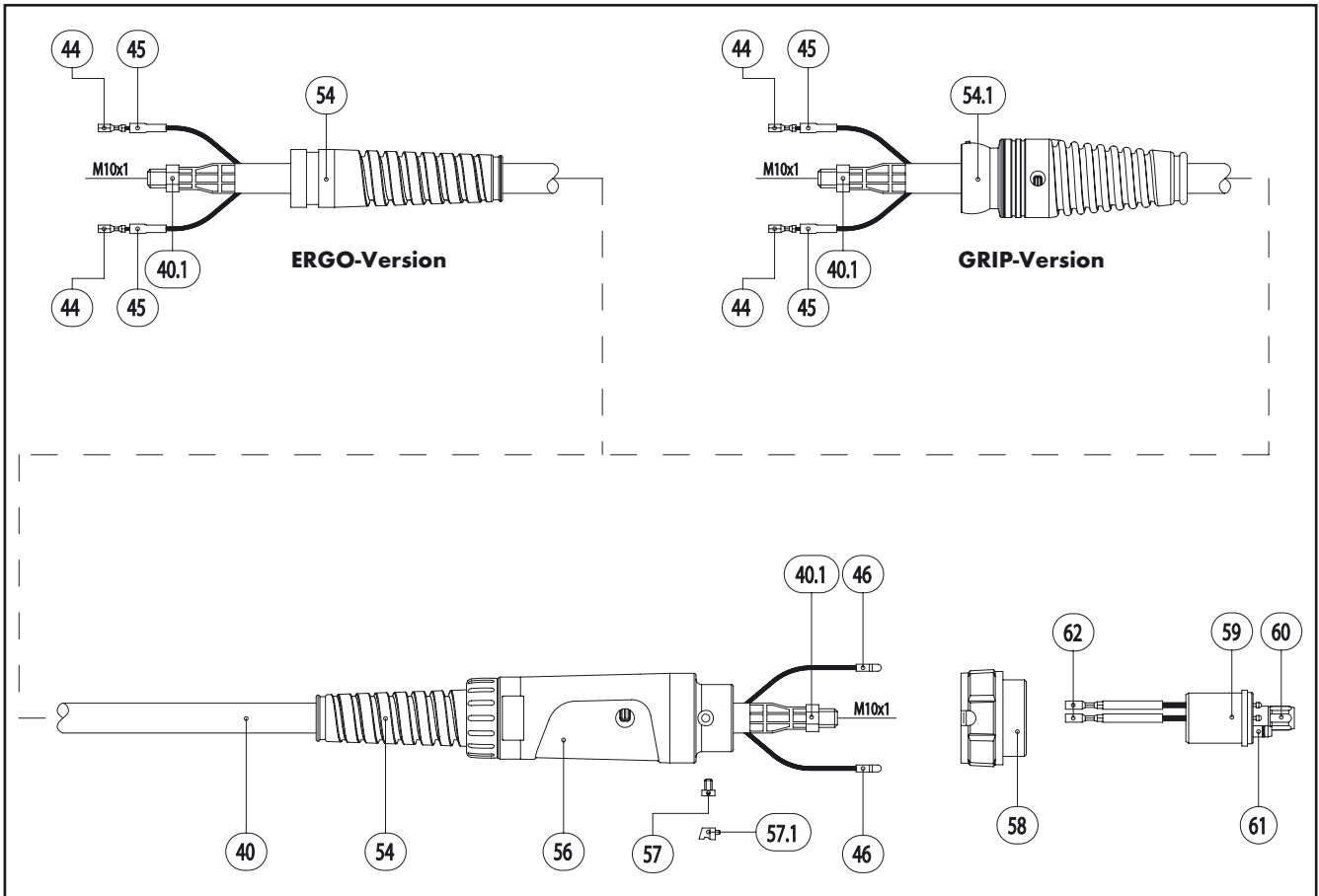
Pos.	Description	Units	Part-No.	Product-group
90	Contact tip M6 CuCrZr; Ø 0.8 (8x28)	10 Pcs.	140.0054	1031
90	Contact tip M6 CuCrZr; Ø 1.0 (8x28)	10 Pcs.	140.0245	1031
90	Contact tip M6 CuCrZr; Ø 1.2 (8x28)	10 Pcs.	140.0382	1031
90	Contact tip M6 E-Cu; Ø 0.8 for alu wire (8x28)	10 Pcs.	141.0001	1030
90	Contact tip M6 E-Cu; Ø 1.0 for alu wire (8x28)	10 Pcs.	141.0006	1030
90	Contact tip M6 E-Cu; Ø 1.2 for alu wire (8x28)	10 Pcs.	141.0010	1030
90	Contact tip M6 CuCrZr silver-plated; Ø 0.8 (8x28)	10 Pcs.	147.0054	1031
90	Contact tip M6 CuCrZr silver-plated; Ø 1.0 (8x28)	10 Pcs.	147.0245	1031
90	Contact tip M6 CuCrZr silver-plated; Ø 1.2 (8x28)	10 Pcs.	147.0382	1031
100	Gas nozzle; cylindrical; ND Ø 17.0	10 Pcs.	145.0047	1036
101	Gas nozzle; cylindrical; heavy duty; ND Ø 17.0	10 Pcs.	145.0062	1036
102	Gas nozzle; conical; ND Ø 12.5	10 Pcs.	145.0080	1036
103	Gas nozzle; conical; heavy duty; ND Ø 12.5	10 Pcs.	145.0101	1036
104	Gas nozzle; tapered; ND Ø 10.0	10 Pcs.	145.0128	1036
105	Spot weld gas nozzle; ND Ø 17.0	10 Pcs.	145.0174	1036
120	Guide spiral liner insulated; 1.5/4.5; blue; for wire Ø 0.6 - 0.8; for 3.00 m		124.0011	1034
120	Guide spiral liner insulated; 1.5/4.5; blue; for wire Ø 0.6 - 0.8; for 4.00 m		124.0012	1034
120	Guide spiral liner insulated; 1.5/4.5; blue; for wire Ø 0.6 - 0.8; for 5.00 m		124.0015	1034
120	Guide spiral liner insulated; 2.0/4.5; red; for wire Ø 1.0 - 1.2; for 3.00 m		124.0026	1034
120	Guide spiral liner insulated; 2.0/4.5; red; for wire Ø 1.0 - 1.2; for 4.00 m		124.0031	1034
120	Guide spiral liner insulated; 2.0/4.5; red; for wire Ø 1.0 - 1.2; for 5.00 m		124.0035	1034
130	PTFE core liner 1.5/4.0; blue; wire electrode Ø 0.8 - 1.0; for 3.00 m		126.0005	1034
130	PTFE core liner 1.5/4.0; blue; wire electrode Ø 0.8 - 1.0; for 4.00 m		126.0008	1034
130	PTFE core liner 1.5/4.0; blue; wire electrode Ø 0.8 - 1.0; for 5.00 m		126.0011	1034
130	PTFE core liner 2.0/4.0; red; wire electrode Ø 1.0 - 1.2; for 3.00 m		126.0021	1034
130	PTFE core liner 2.0/4.0; red; wire electrode Ø 1.0 - 1.2; for 4.00 m		126.0026	1034
130	PTFE core liner 2.0/4.0; red; wire electrode Ø 1.0 - 1.2; for 5.00 m		126.0028	1034
130	PTFE carbon core liner 1.5/4.0; wire electrode Ø 0.8 - 1.0; for 3.00 m		127.0002	1034

MIG/MAG Welding Torches MB ERGO 25 AK – MB GRIP 25 AK



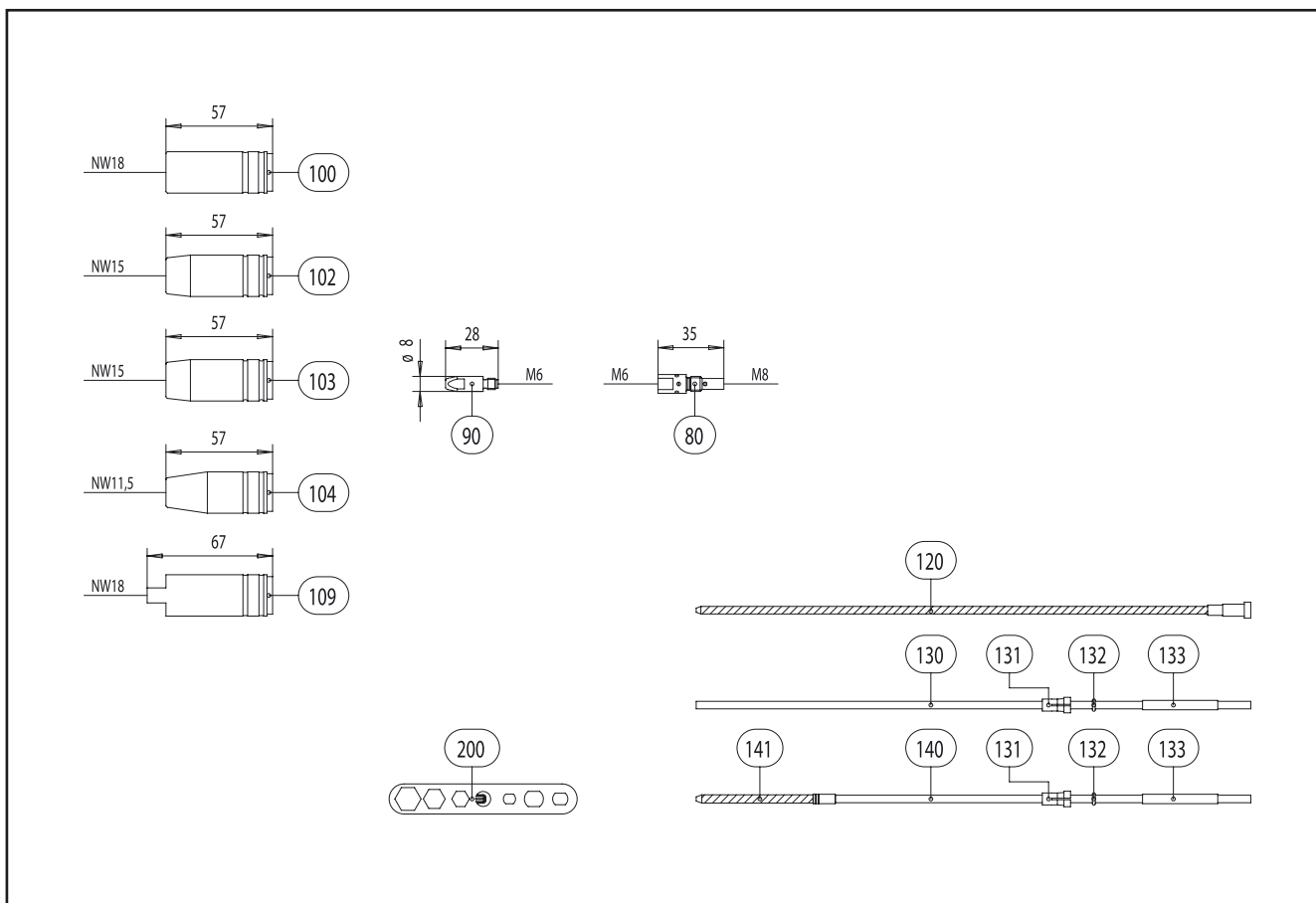
Pos.	Description	Units	Part-No.	Product-group
Torch				
	MB 25 AK; ERGO; central adaptor KZ-2; 3.00 m		004.0312	1001
	MB 25 AK; ERGO; central adaptor KZ-2; 4.00 m		004.0313	1001
	MB 25 AK; ERGO; central adaptor KZ-2; 5.00 m		004.0314	1001
	MB 25 AK GRIP; central adaptor KZ-2; 3.00 m		004.0510	1001
	MB 25 AK GRIP; central adaptor KZ-2; 4.00 m		004.0511	1001
	MB 25 AK GRIP; central adaptor KZ-2; 5.00 m		004.0512	1001
	AUT 25 AK; 0°; handle tube; central adaptor KZ-2; 3.00 m		904.0026	1003
	AUT 25 AK; 45°; handle tube; central adaptor KZ-2; 3.00 m		904.0027	1003
Swan neck				
1	Swan neck MB 25 AK; 50° bent		004.0012	1007
w/o. fig.	Swan neck MB 25 AK; flexible		004.0032	1007
1.3	Swan neck AUT 25 AK; straight		904.0003	1010
1.4	Swan neck AUT 25 AK; 45° bent		904.0004	1010
7	Torch body plastic ERGO		400.1076	1095
7.1	Torch body plastic GRIP		400.0044	1095
4	Nozzle spring	20 Pcs.	003.0013	1095
6	Torch body brass		400.0114	1095
Handle ERGO				
10	ERGO handle with trigger cpl.		180.0076	1095
10.1	Trigger 2-pole		185.0031	9010
Handle GRIP				
11	Handle GRIP with trigger cpl.		180.0127	1095
11.1	Trigger 2-pole GRIP		185.0101	9010
Handle tube AUT				
38	Handle tube AUT		180.0097	1095
38.1	Coupling nut M38x2		400.0137	9010

MIG/MAG Welding Torches MB ERGO 25 AK – MB GRIP 25 AK



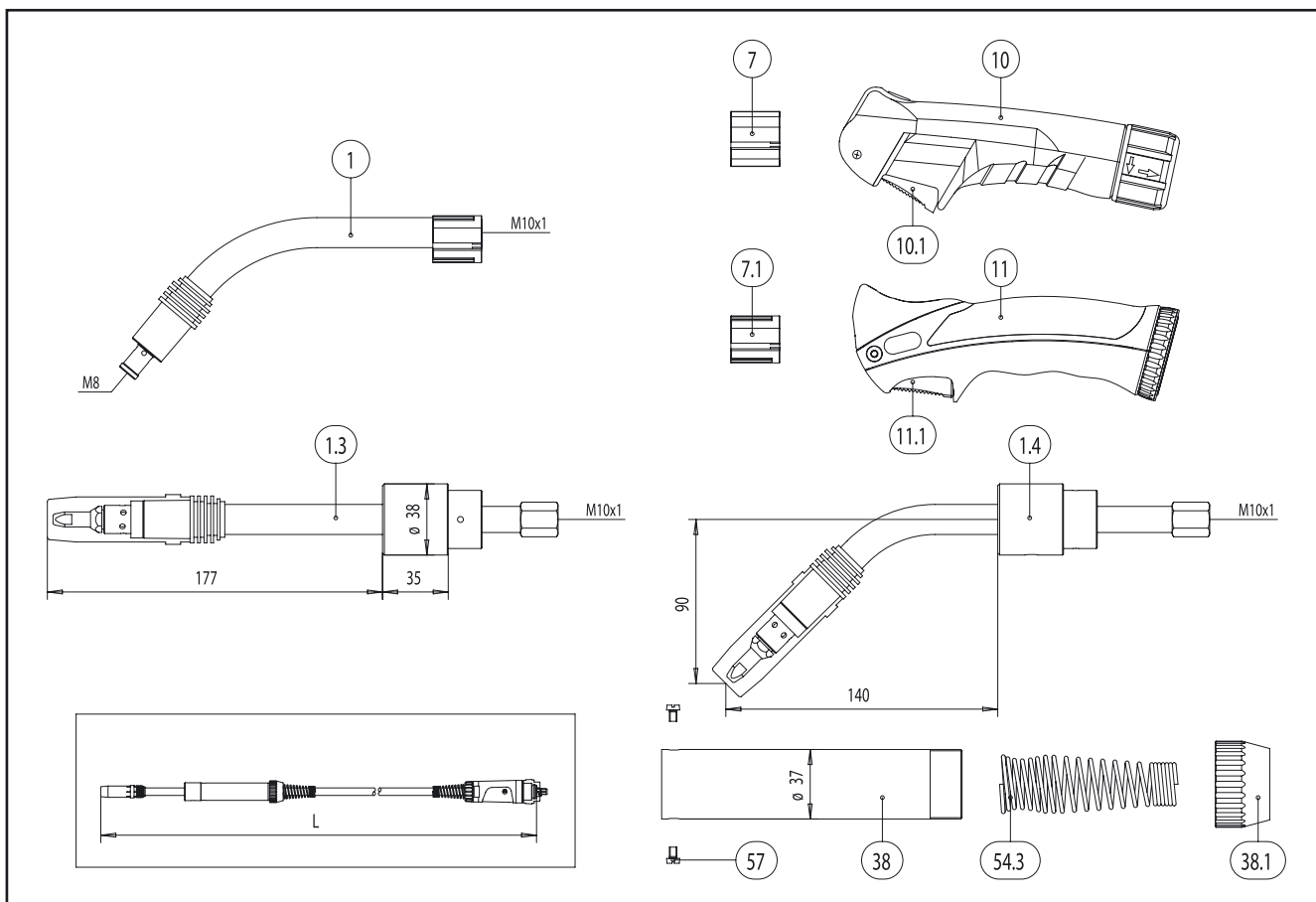
Pos.	Description	Units	Part-No.	Product-group
Cable assembly				
40	Bikox® power cable MB ERGO, B5 for 3.00 m		160.0128	1011
40	Bikox® power cable MB ERGO, B5 for 4.00 m		160.0142	1011
40	Bikox® power cable MB ERGO, B5 for 5.00 m		160.0155	1011
40	Bikox® R-power cable MB GRIP / ABIMIG®, R5 for 3.00 m		160.D427	1311
40	Bikox® R-power cable MB GRIP / ABIMIG®, R5 for 4.00 m		160.D428	1311
40	Bikox® R-power cable MB GRIP / ABIMIG®, R5 for 5.00 m		160.D429	1311
w/o. fig.	Outer cover rubber Ø 20x1.5	40 m	105.0005	4050
40.1	Hexagon nut M10x1	10 Pcs.	001.0009	9010
44	Trigger wire connector	20 Pcs.	175.0022	9010
45	Insulating sleeve	20 Pcs.	400.0119	1095
46	Plug	20 Pcs.	175.0004	9010
54	Cable support ND 19		400.1010	1095
54.1	Ball joint cable support for MB GRIP (AC)		400.1124	1095
54.3	Cable support spring ND 19		500.0225	9010
56	Cable support machine side		501.2248	9010
57	Pan head screw M4x6	20 Pcs.	000.0552	9010
57.1	Screw cap 1	20 Pcs.	500.0251	9010
58	Adaptor nut M33x2		500.0213	9010
59	Central adaptor KZ-2		501.0003	1095
59	Central adaptor KZ-2 without control leads		501.0028	1095
60	Coupling nut M10x1	10 Pcs.	501.0082	9010
61	O-Ring 4x1	20 Pcs.	165.0002	9010
62	Trigger wire connector; female	20 Pcs.	175.0003	9010
Wear parts				
80	Contact tip holder M6; 35.0 mm	10 Pcs.	142.0001	1033
90	Contact tip M6 E-Cu; Ø 0.8 (8x28)	10 Pcs.	140.0051	1030
90	Contact tip M6 E-Cu; Ø 1.0 (8x28)	10 Pcs.	140.0242	1030

MIG/MAG Welding Torches MB ERGO 25 AK – MB GRIP 25 AK



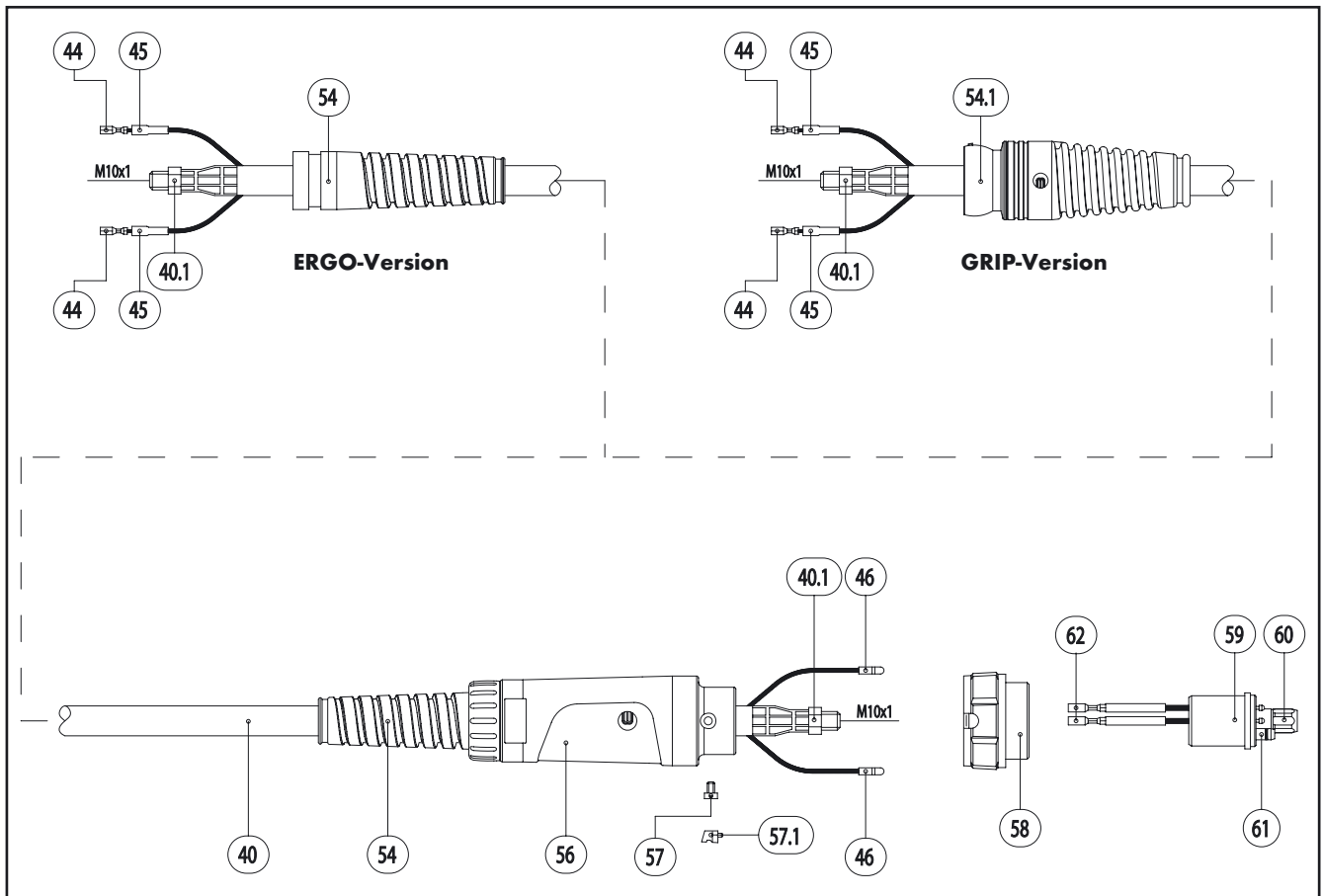
Pos.	Description	Units	Part-No.	Product-group
90	Contact tip M6 E-Cu; Ø 1.2 (8x28)	10 Pcs.	140.0379	1030
90	Contact tip M6 CuCrZr; Ø 0.8 (8x28)	10 Pcs.	140.0054	1031
90	Contact tip M6 CuCrZr; Ø 1.0 (8x28)	10 Pcs.	140.0245	1031
90	Contact tip M6 CuCrZr; Ø 1.2 (8x28)	10 Pcs.	140.0382	1031
90	Contact tip M6 E-Cu; Ø 0.8 for alu wire (8x28)	10 Pcs.	141.0001	1030
90	Contact tip M6 E-Cu; Ø 1.0 for alu wire (8x28)	10 Pcs.	141.0006	1030
90	Contact tip M6 E-Cu; Ø 1.2 for alu wire (8x28)	10 Pcs.	141.0010	1030
90	Contact tip M6 CuCrZr silver-plated; Ø 0.8 (8x28)	10 Pcs.	147.0054	1031
90	Contact tip M6 CuCrZr silver-plated; Ø 1.0 (8x28)	10 Pcs.	147.0245	1031
90	Contact tip M6 CuCrZr silver-plated; Ø 1.2 (8x28)	10 Pcs.	147.0382	1031
100	Gas nozzle; cylindrical; ND Ø 18.0	10 Pcs.	145.0042	1036
102	Gas nozzle; conical; ND Ø 15.0	10 Pcs.	145.0076	1036
103	Gas nozzle; conical; with extended insulation; ND Ø 15.0	10 Pcs.	145.0100	1036
104	Gas nozzle; tapered; ND Ø 11.5	10 Pcs.	145.0124	1036
109	Spot weld gas nozzle; ND Ø 18.0	10 Pcs.	145.0169	1036
120	Guide spiral liner insulated; 1.5/4.5; blue; for wire Ø 0.6 - 0.8; for 3.00 m		124.0011	1034
120	Guide spiral liner insulated; 1.5/4.5; blue; for wire Ø 0.6 - 0.8; for 4.00 m		124.0012	1034
120	Guide spiral liner insulated; 1.5/4.5; blue; for wire Ø 0.6 - 0.8; for 5.00 m		124.0015	1034
120	Guide spiral liner insulated; 2.0/4.5; red; for wire Ø 1.0 - 1.2; for 3.00 m		124.0026	1034
120	Guide spiral liner insulated; 2.0/4.5; red; for wire Ø 1.0 - 1.2; for 4.00 m		124.0031	1034
120	Guide spiral liner insulated; 2.0/4.5; red; for wire Ø 1.0 - 1.2; for 5.00 m		124.0035	1034
130	PTFE core liner 1.5/4.0; blue; wire electrode Ø 0.8 - 1.0; for 3.00 m		126.0005	1034
130	PTFE core liner 1.5/4.0; blue; wire electrode Ø 0.8 - 1.0; for 4.00 m		126.0008	1034
130	PTFE core liner 1.5/4.0; blue; wire electrode Ø 0.8 - 1.0; for 5.00 m		126.0011	1034
130	PTFE core liner 2.0/4.0; red; wire electrode Ø 1.0 - 1.2; for 3.00 m		126.0021	1034
130	PTFE core liner 2.0/4.0; red; wire electrode Ø 1.0 - 1.2; for 4.00 m		126.0026	1034
130	PTFE core liner 2.0/4.0; red; wire electrode Ø 1.0 - 1.2; for 5.00 m		126.0028	1034
130	PTFE carbon core liner 1.5/4.0; wire electrode Ø 0.8 - 1.0; for 3.00 m		127.0002	1034

MIG/MAG Welding Torches MB ERGO 26 KD – MB GRIP 26 KD



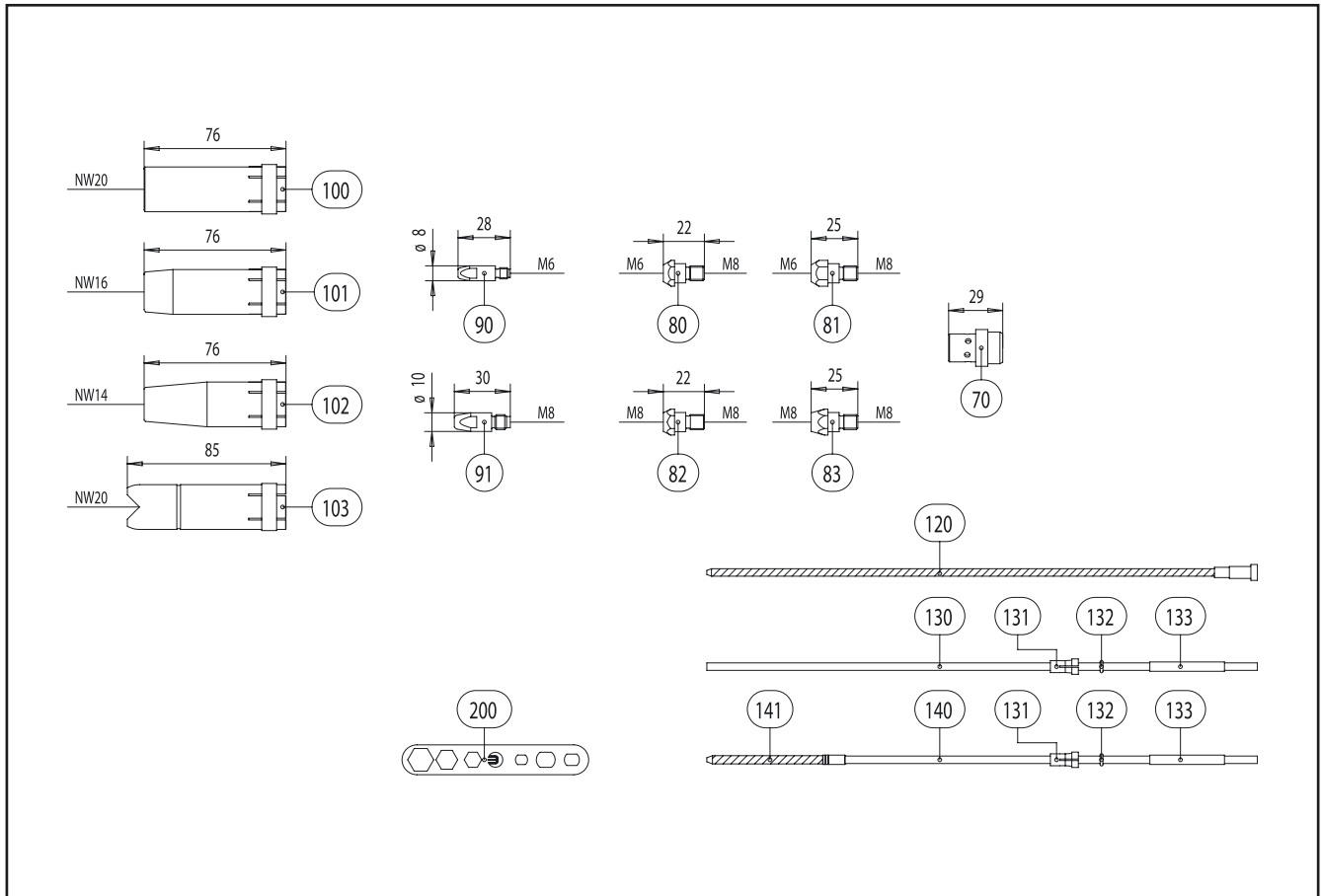
Pos.	Description	Units	Part-No.	Product-group
Torch				
	MB 26 KD; ERGO; central adaptor KZ-2; 3.00 m		018.0062	1013
	MB 26 KD; ERGO; central adaptor KZ-2; 4.00 m		018.0063	1013
	MB 26 KD; ERGO; central adaptor KZ-2; 5.00 m		018.0064	1013
	MB 26 KD GRIP; central adaptor KZ-2; 3.00 m		018.0146	1013
	MB 26 KD GRIP; central adaptor KZ-2; 4.00 m		018.0147	1013
	MB 26 KD GRIP; central adaptor KZ-2; 5.00 m		018.0148	1013
	AUT 26 KD; 0°; handle tube; central adaptor KZ-2; 3.00 m		918.0005	1003
	AUT 26 KD; 45°; handle tube; central adaptor KZ-2; 3.00 m		918.0004	1003
Swan neck				
1	Swan neck MB 26 KD; 50° bent		018.0001	1014
1.3	Swan neck AUT 26/36; straight		914.0002	1010
1.4	Swan neck AUT 26/36; 45° bent		914.0001	1010
7	Torch body plastic ERGO		400.1076	1095
7.1	Torch body plastic GRIP		400.0044	1095
Handle ERGO				
10	ERGO handle with trigger cpl.		180.0076	1095
10.1	Trigger 2-pole		185.0031	9010
Handle GRIP				
11	Handle GRIP with trigger cpl.		180.0127	1095
11.1	Trigger 2-pole GRIP		185.0101	9010
Handle tube AUT				
38	Handle tube AUT		180.0097	1095
38.1	Coupling nut M38x2		400.0137	9010
Cable assembly				
40	Bikox [®] power cable MB ERGO, B6 for 3.00 m		160.0239	1011
40	Bikox [®] power cable MB ERGO, B6 for 4.00 m		160.0255	1011
40	Bikox [®] power cable MB ERGO, B6 for 5.00 m		160.0267	1011

MIG/MAG Welding Torches MB ERGO 26 KD – MB GRIP 26 KD



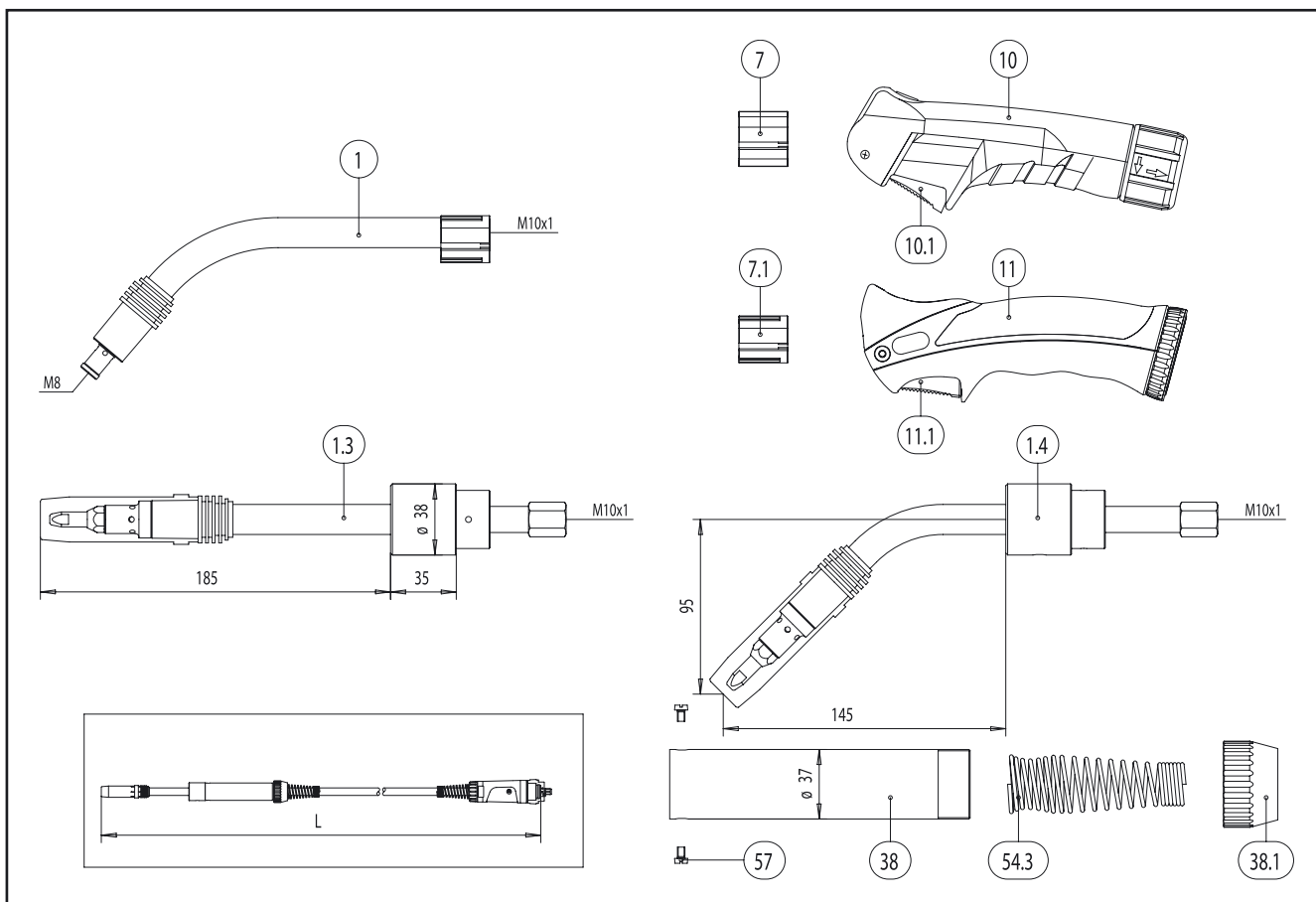
Pos.	Description	Units	Part-No.	Product-group
40	Bikox® R-power cable MB GRIP / ABIMIG®, R6 for 3.00 m		160.D430	1311
40	Bikox® R-power cable MB GRIP / ABIMIG®, R6 for 4.00 m		160.D431	1311
40	Bikox® R-power cable MB GRIP / ABIMIG®, R6 for 5.00 m		160.D432	1311
w/o. fig.	Outer cover rubber Ø 20x1.5	40 m	105.0005	4050
40.1	Hexagon nut M10x1	10 Pcs.	001.0009	9010
44	Trigger wire connector	20 Pcs.	175.0022	9010
45	Insulating sleeve	20 Pcs.	400.0119	1095
46	Plug	20 Pcs.	175.0004	9010
54	Cable support ND 19		400.1010	1095
54.1	Ball joint cable support for MB GRIP (AC)		400.1124	1095
54.3	Cable support spring ND 19		500.0225	9010
56	Cable support machine side		501.2248	9010
57	Pan head screw M4x6	20 Pcs.	000.0552	9010
57.1	Screw cap 1	20 Pcs.	500.0251	9010
58	Adaptor nut M33x2		500.0213	9010
59	Central adaptor KZ-2		501.0003	1095
59	Central adaptor KZ-2 without control leads		501.0028	1095
60	Coupling nut M10x1	10 Pcs.	501.0082	9010
61	O-Ring 4x1	20 Pcs.	165.0002	9010
62	Trigger wire connector; female	20 Pcs.	175.0003	9010
	Wear parts			
70	Gas diffuser, white	10 Pcs.	018.0116	1032
70	Gas diffuser, ceramic	10 Pcs.	018.0141	1032
80	Contact tip holder M6; 22.0 mm (short)	10 Pcs.	142.0007	1033
81	Contact tip holder M6; 25.0 mm (long)	10 Pcs.	142.0012	1033
82	Contact tip holder M8; 22.0 mm (short)	10 Pcs.	142.0082	1033
83	Contact tip holder M8; 25.0 mm (long)	10 Pcs.	142.0026	1033
90	Contact tip M6 E-Cu; Ø 0.8 (8x28)	10 Pcs.	140.0051	1030

MIG/MAG Welding Torches MB ERGO 26 KD – MB GRIP 26 KD



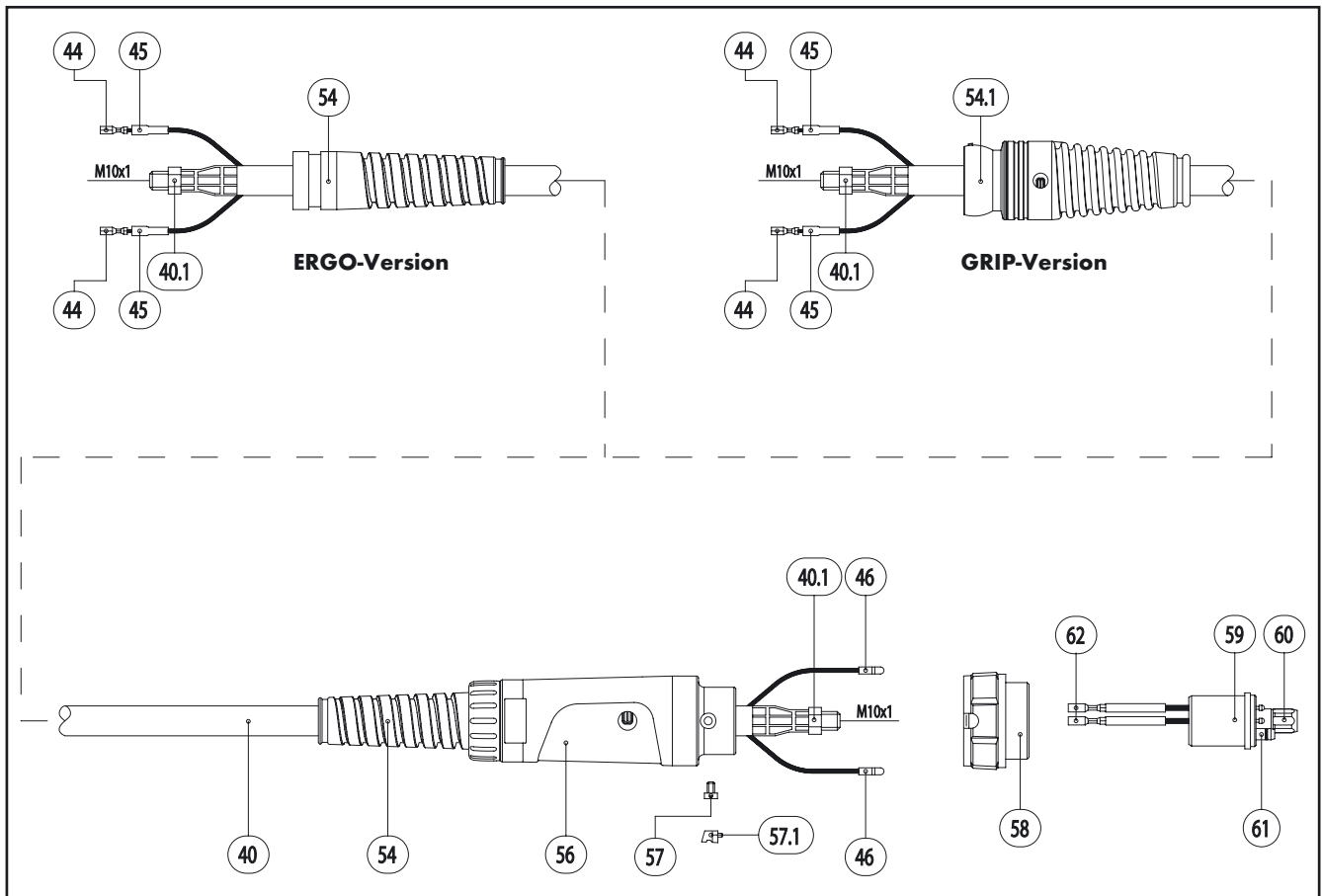
Pos.	Description	Units	Part-No.	Product-group
90	Contact tip M6 E-Cu; Ø 1.0 (8x28)	10 Pcs.	140.0242	1030
90	Contact tip M6 E-Cu; Ø 1.2 (8x28)	10 Pcs.	140.0379	1030
90	Contact tip M6 CuCrZr; Ø 0.8 (8x28)	10 Pcs.	140.0054	1031
90	Contact tip M6 CuCrZr; Ø 1.0 (8x28)	10 Pcs.	140.0245	1031
90	Contact tip M6 CuCrZr; Ø 1.2 (8x28)	10 Pcs.	140.0382	1031
90	Contact tip M6 E-Cu; Ø 0.8 for alu wire (8x28)	10 Pcs.	141.0001	1030
90	Contact tip M6 E-Cu; Ø 1.0 for alu wire (8x28)	10 Pcs.	141.0006	1030
90	Contact tip M6 E-Cu; Ø 1.2 for alu wire (8x28)	10 Pcs.	141.0010	1030
90	Contact tip M6 CuCrZr silver-plated; Ø 0.8 (8x28)	10 Pcs.	147.0054	1031
90	Contact tip M6 CuCrZr silver-plated; Ø 1.0 (8x28)	10 Pcs.	147.0245	1031
90	Contact tip M6 CuCrZr silver-plated; Ø 1.2 (8x28)	10 Pcs.	147.0382	1031
91	Contact tip M8 E-Cu; Ø 0.8 (10x30)	10 Pcs.	140.0114	1030
91	Contact tip M8 E-Cu; Ø 1.0 (10x30)	10 Pcs.	140.0313	1030
91	Contact tip M8 E-Cu; Ø 1.2 (10x30)	10 Pcs.	140.0442	1030
91	Contact tip M8 CuCrZr; Ø 0.8 (10x30)	10 Pcs.	140.0117	1031
91	Contact tip M8 CuCrZr; Ø 1.0 (10x30)	10 Pcs.	140.0316	1031
91	Contact tip M8 CuCrZr; Ø 1.2 (10x30)	10 Pcs.	140.0445	1031
91	Contact tip M8 E-Cu; Ø 0.8 for alu wire (10x30)	10 Pcs.	141.0003	1030
91	Contact tip M8 E-Cu; Ø 1.0 for alu wire (10x30)	10 Pcs.	141.0008	1030
91	Contact tip M8 E-Cu; Ø 1.2 for alu wire (10x30)	10 Pcs.	141.0015	1030
91	Contact tip M8 CuCrZr silver-plated; Ø 0.8 (10x30)	10 Pcs.	147.0117	1031
91	Contact tip M8 CuCrZr silver-plated; Ø 1.0 (10x30)	10 Pcs.	147.0316	1031
91	Contact tip M8 CuCrZr silver-plated; Ø 1.2 (10x30)	10 Pcs.	147.0445	1031
100	Gas nozzle, cylindrical; ND Ø 20.0	10 Pcs.	145.0051	1037
101	Gas nozzle, conical; ND Ø 16.0	10 Pcs.	145.0085	1037
102	Gas nozzle, tapered; ND Ø 14.0	10 Pcs.	145.0132	1037
103	Spot weld gas nozzle; ND Ø 20.0	10 Pcs.	145.0179	1037
120	Guide spiral liner insulated; 1.5/4.5; blue; for wire Ø 0.6 - 0.8; for 3.00 m		124.0011	1034

MIG/MAG Welding Torches MB ERGO 36 KD – MB GRIP 36 KD



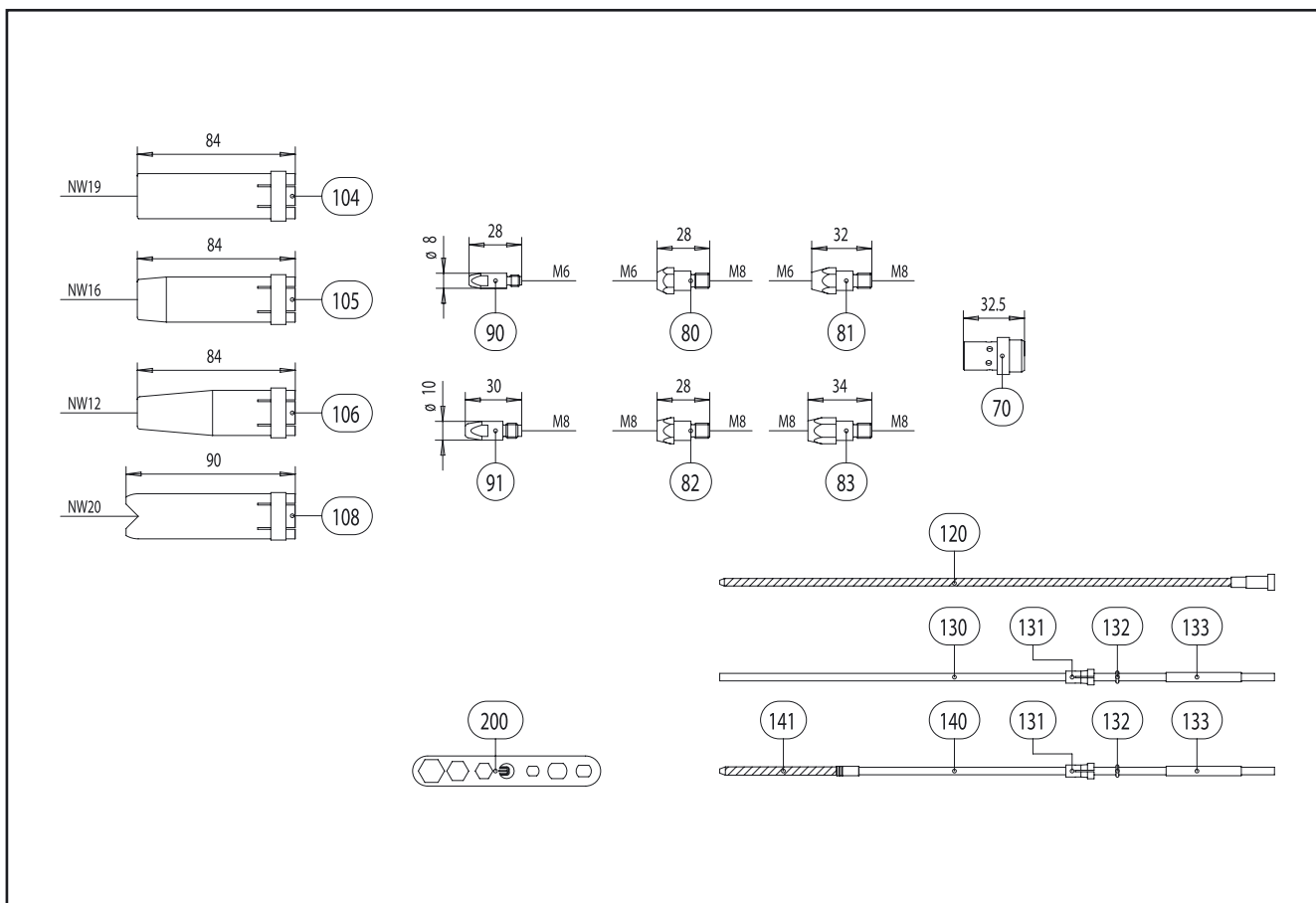
Pos.	Description	Units	Part-No.	Product-group
Torch				
	MB 36 KD; ERGO; central adaptor KZ-2; 3.00 m		014.0143	1013
	MB 36 KD; ERGO; central adaptor KZ-2; 4.00 m		014.0144	1013
	MB 36 KD; ERGO; central adaptor KZ-2; 5.00 m		014.0145	1013
	MB 36 KD GRIP; central adaptor KZ-2; 3.00 m		014.0334	1013
	MB 36 KD GRIP; central adaptor KZ-2; 4.00 m		014.0335	1013
	MB 36 KD GRIP; central adaptor KZ-2; 5.00 m		014.0336	1013
	AUT 36 KD; 0°; handle tube; central adaptor KZ-2; 3.00 m		914.0013	1003
	AUT 36 KD; 45°; handle tube; central adaptor KZ-2; 3.00 m		914.0014	1003
Swan neck				
1	Swan neck MB 36 KD; 50° bent		014.0006	1014
1.3	Swan neck AUT 26/36; straight		914.0002	1010
1.4	Swan neck AUT 26/36; 45° bent		914.0001	1010
7	Torch body plastic ERGO		400.1076	1095
7.1	Torch body plastic GRIP		400.0044	1095
Handle ERGO				
10	ERGO handle with trigger cpl.		180.0076	1095
10.1	Trigger 2-pole		185.0031	9010
Handle GRIP				
11	Handle GRIP with trigger cpl.		180.0127	1095
11.1	Trigger 2-pole GRIP		185.0101	9010
Handle tube AUT				
38	Handle tube AUT		180.0097	1095
38.1	Coupling nut M38x2		400.0137	9010
Cable assembly				
40	Bikox [®] power cable MB ERGO, B7 for 3.00 m		160.0364	1011
40	Bikox [®] power cable MB ERGO, B7 for 4.00 m		160.0379	1011
40	Bikox [®] power cable MB ERGO, B7 for 5.00 m		160.0391	1011

MIG/MAG Welding Torches MB ERGO 36 KD – MB GRIP 36 KD



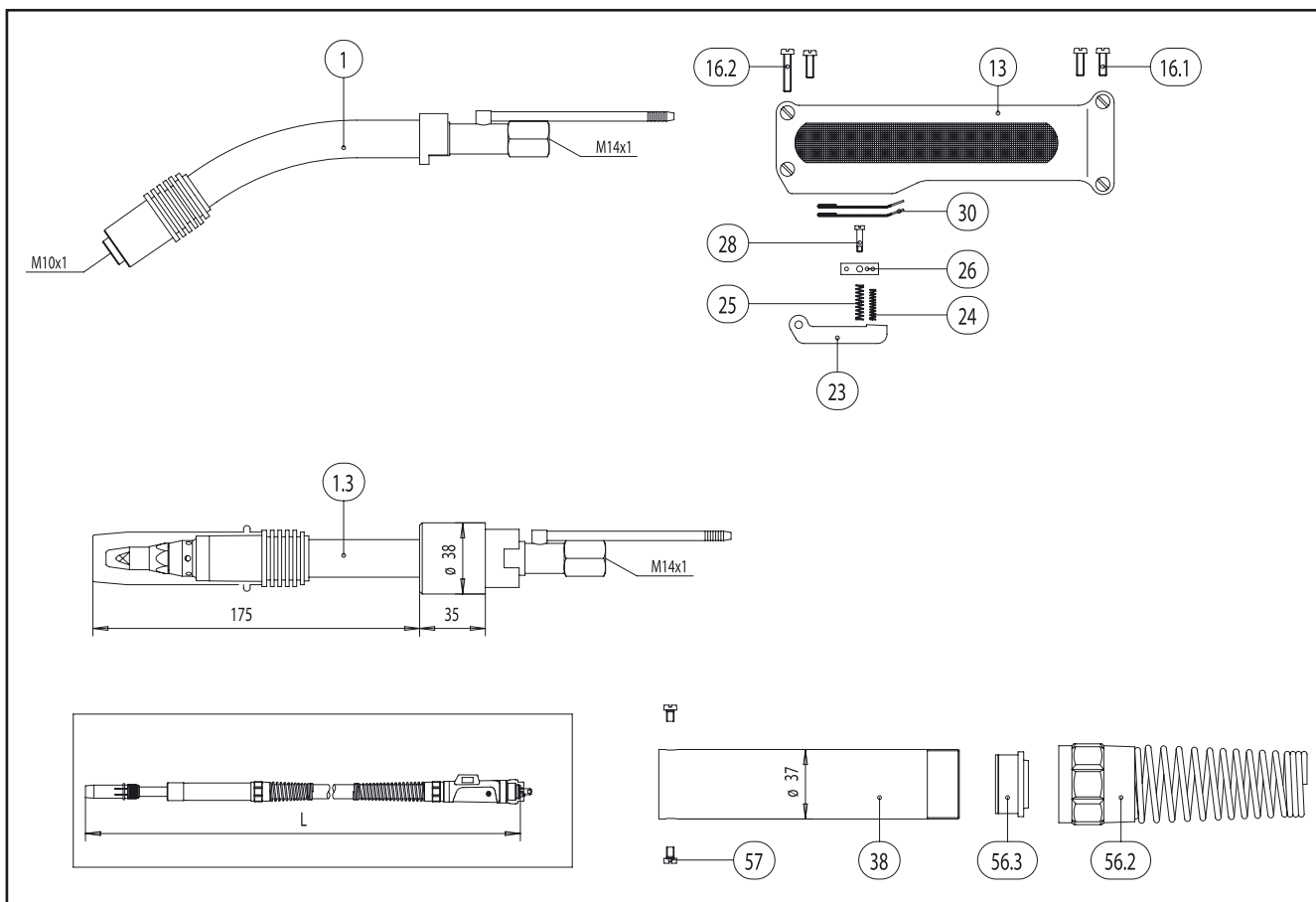
Pos.	Description	Units	Part-No.	Product-group
40	Bikox® R-power cable MB GRIP / ABIMIG®, R7 for 3.00 m		160.D434	1311
40	Bikox® R-power cable MB GRIP / ABIMIG®, R7 for 4.00 m		160.D435	1311
40	Bikox® R-power cable MB GRIP / ABIMIG®, R7 for 5.00 m		160.D436	1311
40.1	Hexagon nut M10x1	10 Pcs.	001.0009	9010
44	Trigger wire connector	20 Pcs.	175.0022	9010
45	Insulating sleeve	20 Pcs.	400.0119	1095
46	Plug	20 Pcs.	175.0004	9010
54	Cable support ND 19		400.1010	1095
54.1	Ball joint cable support for MB GRIP (AC)		400.1124	1095
54.3	Cable support spring ND 19		500.0225	9010
56	Cable support machine side		501.2248	9010
57	Pan head screw M4x6	20 Pcs.	000.0552	9010
57.1	Screw cap 1	20 Pcs.	500.0251	9010
58	Adaptor nut M33x2		500.0213	9010
59	Central adaptor KZ-2		501.0003	1095
59	Central adaptor KZ-2 without control leads		501.0028	1095
60	Coupling nut M10x1	10 Pcs.	501.0082	9010
61	O-Ring 4x1	20 Pcs.	165.0002	9010
62	Trigger wire connector; female	20 Pcs.	175.0003	9010
Wear parts				
70	Gas diffuser, white	10 Pcs.	014.0261	1032
70	Gas diffuser, long life	10 Pcs.	014.0026	1032
70	Gas diffuser, ceramic	10 Pcs.	014.0023	1032
80	Contact tip holder M6; 26.0 mm (short)	10 Pcs.	142.0005	1033
81	Contact tip holder M6; 32.0 mm (long)	10 Pcs.	142.0011	1033
82	Contact tip holder M8; 28.0 mm (short)	10 Pcs.	142.0020	1033
83	Contact tip holder M8; 34.0 mm (long)	10 Pcs.	142.0024	1033
90	Contact tip M6 E-Cu; Ø 0.8 (8x28)	10 Pcs.	140.0051	1030

MIG/MAG Welding Torches MB ERGO 36 KD – MB GRIP 36 KD



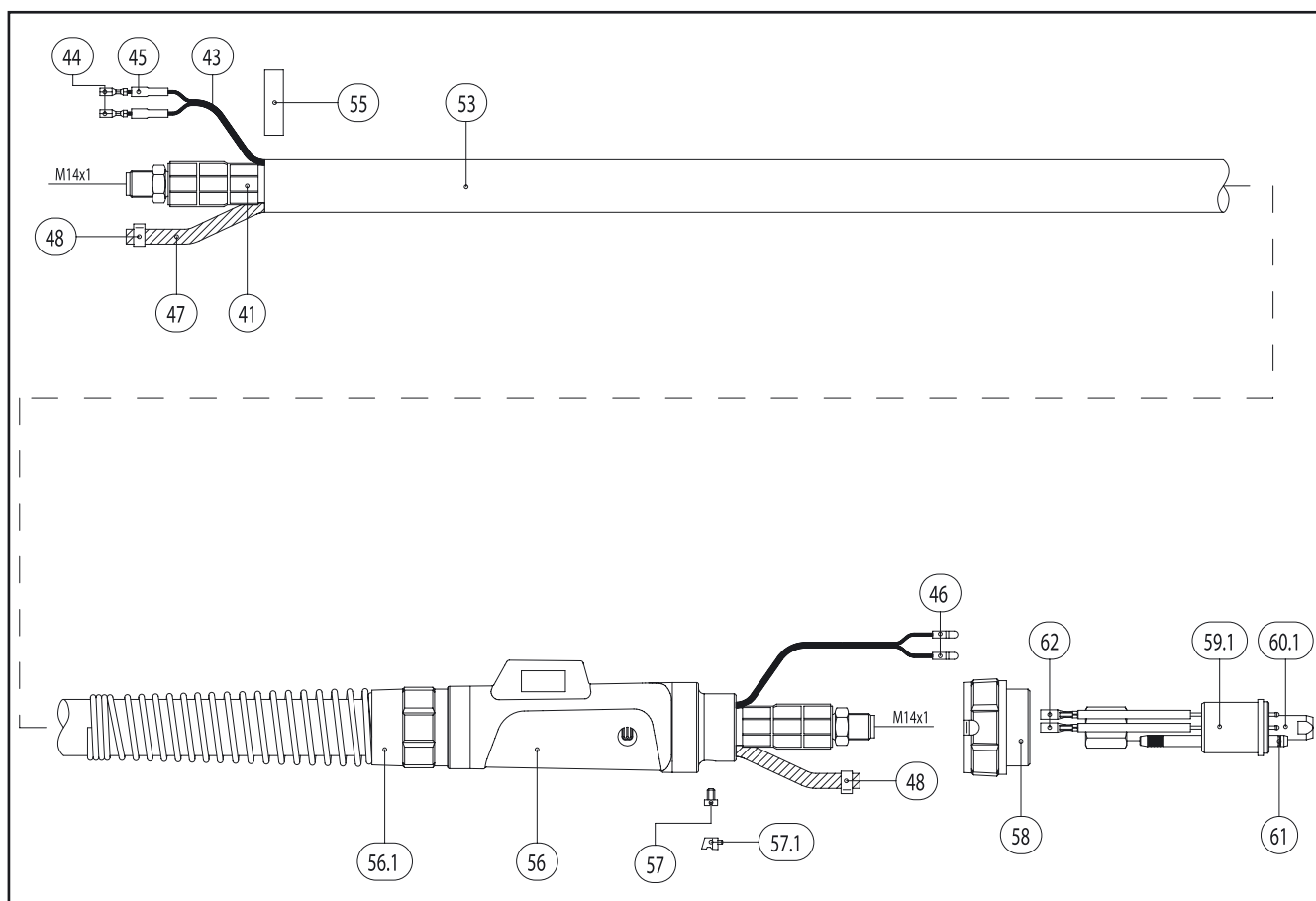
Pos.	Description	Units	Part-No.	Product-group
90	Contact tip M6 E-Cu; Ø 1.0 (8x28)	10 Pcs.	140.0242	1030
90	Contact tip M6 E-Cu; Ø 1.2 (8x28)	10 Pcs.	140.0379	1030
90	Contact tip M6 CuCrZr; Ø 0.8 (8x28)	10 Pcs.	140.0054	1031
90	Contact tip M6 CuCrZr; Ø 1.0 (8x28)	10 Pcs.	140.0245	1031
90	Contact tip M6 CuCrZr; Ø 1.2 (8x28)	10 Pcs.	140.0382	1031
90	Contact tip M6 E-Cu; Ø 0.8 for alu wire (8x28)	10 Pcs.	141.0001	1030
90	Contact tip M6 E-Cu; Ø 1.0 for alu wire (8x28)	10 Pcs.	141.0006	1030
90	Contact tip M6 E-Cu; Ø 1.2 for alu wire (8x28)	10 Pcs.	141.0010	1030
90	Contact tip M6 CuCrZr silver-plated; Ø 0.8 (8x28)	10 Pcs.	147.0054	1031
90	Contact tip M6 CuCrZr silver-plated; Ø 1.0 (8x28)	10 Pcs.	147.0245	1031
90	Contact tip M6 CuCrZr silver-plated; Ø 1.2 (8x28)	10 Pcs.	147.0382	1031
91	Contact tip M8 E-Cu; Ø 0.8 (10x30)	10 Pcs.	140.0114	1030
91	Contact tip M8 E-Cu; Ø 1.0 (10x30)	10 Pcs.	140.0313	1030
91	Contact tip M8 E-Cu; Ø 1.2 (10x30)	10 Pcs.	140.0442	1030
91	Contact tip M8 CuCrZr; Ø 0.8 (10x30)	10 Pcs.	140.0117	1031
91	Contact tip M8 CuCrZr; Ø 1.0 (10x30)	10 Pcs.	140.0316	1031
91	Contact tip M8 CuCrZr; Ø 1.2 (10x30)	10 Pcs.	140.0445	1031
91	Contact tip M8 E-Cu; Ø 0.8 for alu wire (10x30)	10 Pcs.	141.0003	1030
91	Contact tip M8 E-Cu; Ø 1.0 for alu wire (10x30)	10 Pcs.	141.0008	1030
91	Contact tip M8 E-Cu; Ø 1.2 for alu wire (10x30)	10 Pcs.	141.0015	1030
91	Contact tip M8 CuCrZr silver-plated; Ø 0.8 (10x30)	10 Pcs.	147.0117	1031
91	Contact tip M8 CuCrZr silver-plated; Ø 1.0 (10x30)	10 Pcs.	147.0316	1031
91	Contact tip M8 CuCrZr silver-plated; Ø 1.2 (10x30)	10 Pcs.	147.0445	1031
104	Gas nozzle; cylindrical; ND Ø 19.0	10 Pcs.	145.0045	1037
105	Gas nozzle; conical; ND Ø 16.0	10 Pcs.	145.0078	1037
106	Gas nozzle; tapered; ND Ø 12.0	10 Pcs.	145.0126	1037
108	Spot weld gas nozzle; ND Ø 20.0	10 Pcs.	145.0172	1037
120	Guide spiral liner insulated; 1.5/4.5; blue; for wire Ø 0.6 - 0.8; for 3.00 m		124.0011	1034

MIG/MAG Welding Torch RB 61 GD

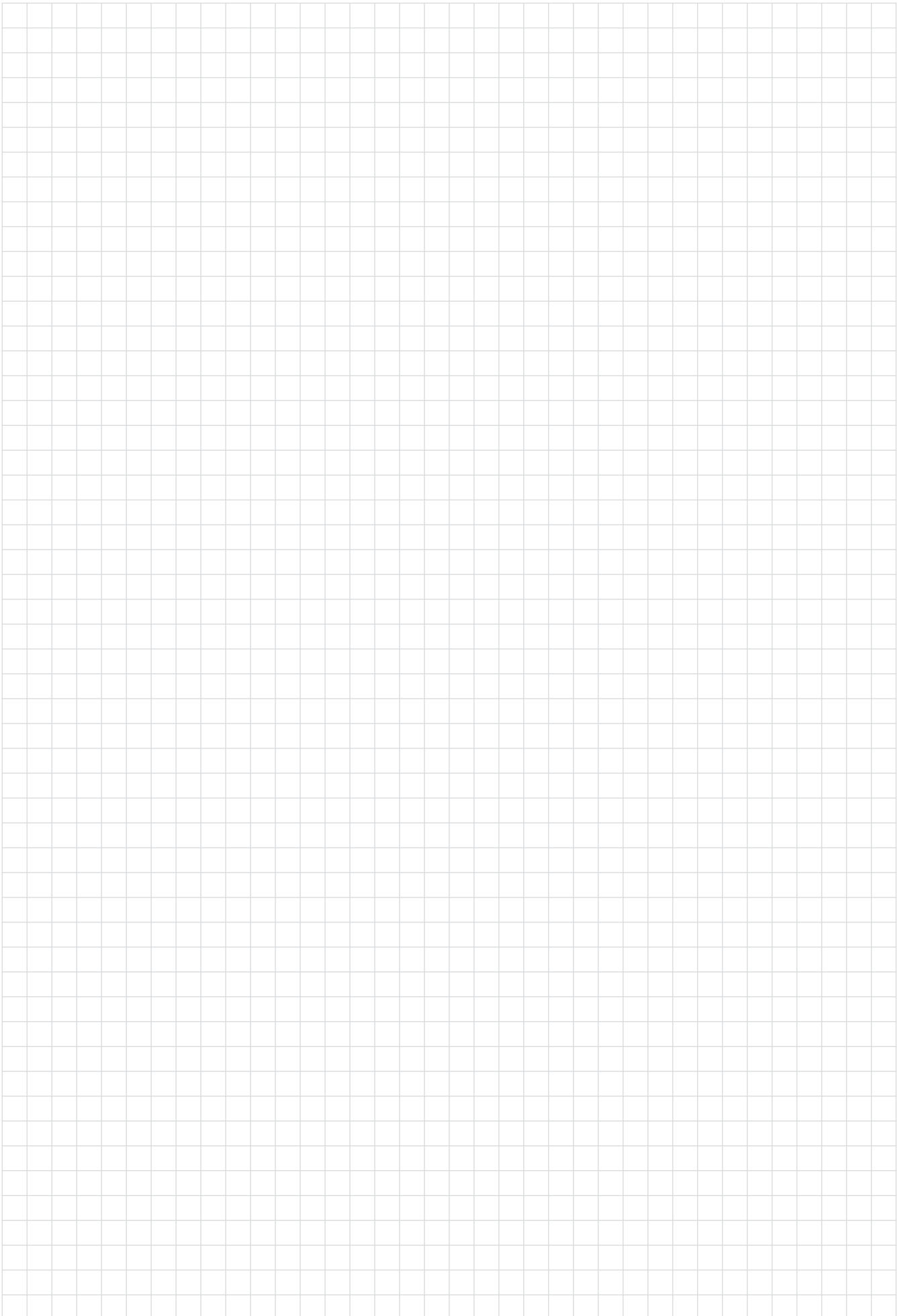


Pos.	Description	Units	Part-No.	Product-group
Torch				
	RB 61 GD; industrial handle; central adaptor RGZ-2; 3.00 m		013.0053	1013
	RB 61 GD; industrial handle; central adaptor RGZ-2; 4.00 m		013.0054	1013
	AUT 61 GD; 0°; handle tube; central adaptor RGZ-2; 3.00 m		913.0015	1003
Swan neck				
1	Swan neck RB 61 GD; 35° bent		013.0001	1014
1.3	Swan neck AUT 61 GD; straight		913.0001	1010
Handle				
13	Industrial handle blue cpl.		180.0029	1095
16.1	Flat headed screw M4x12	20 Pcs.	000.0556	9010
16.2	Pan head screw M4x20	20 Pcs.	000.0558	9010
23	Trigger		400.0032	1095
24	Pressure spring	20 Pcs.	400.0056	1095
25	Pressure spring	20 Pcs.	400.0037	1095
26	Trigger blade center	20 Pcs.	400.0038	1095
28	Center blade screw	20 Pcs.	400.0036	1095
30	Trigger blade	20 Pcs.	400.0049	1095
Handle tube AUT				
38	Handle tube AUT		180.0097	1095
Cable assembly				
41	Bikox® power cable RB, B10 for 3.00 m		160.0549	1011
41	Bikox® power cable RB, B10 for 4.00 m		160.0560	1011
43	Control cable 2-pole	200 m	100.0019	4050
44	Trigger wire connector	20 Pcs.	175.0022	9010
45	Insulating sleeve	20 Pcs.	400.0119	1095
46	Plug	20 Pcs.	175.0004	9010
47	Hose 30 black Ø 4.9x1.5	100 m	109.0040	4050
48	Hose clamp Ø 8.7 mm	20 Pcs.	171.0002	9010

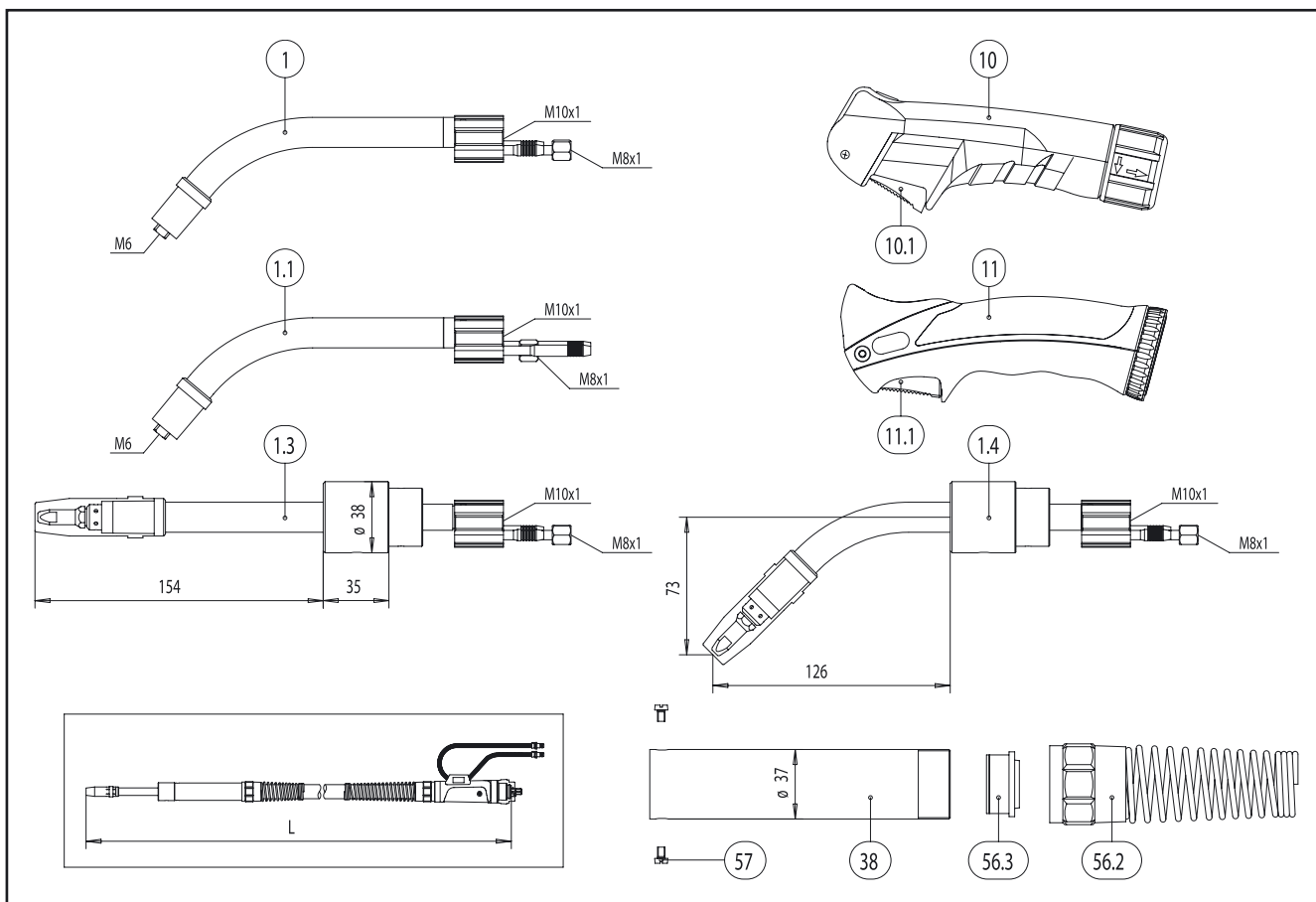
MIG/MAG Welding Torch RB 61 GD



Pos.	Description	Units	Part-No.	Product-group
53	Outer cover Ø 28x1.5	40 m	107.0055	4050
55	Ring		400.0097	1095
56	Cable support machine side		501.2278	9010
56.1	Cable support spring big ND 31		500.0274	9010
56.2	Cable support spring ND 31		500.0375	1095
56.3	Biclip Set 25/28		400.0332	9010
57	Pan head screw M4x6	20 Pcs.	000.0552	9010
57.1	Screw cap 1	20 Pcs.	500.0251	9010
58	Adaptor nut M33x2		500.0213	9010
59.1	Central adaptor RGZ-2		501.0054	1095
60.1	Liner positioner nut M14x1	10 Pcs.	501.0129	9010
61	O-Ring 4x1	20 Pcs.	165.0002	9010
62	Trigger wire connector; female	20 Pcs.	175.0003	9010
Wear parts				
70	Gas diffuser	10 Pcs.	013.0030	1032
80	Contact tip holder M10; 40.0 mm	10 Pcs.	142.0032	1033
90	Contact tip M10 CuCrZr; Ø 1.6 (12x35)	10 Pcs.	140.0616	1031
90	Contact tip M10 CuCrZr; Ø 2.0 (12x35)	10 Pcs.	140.0665	1031
90	Contact tip M10 CuCrZr; Ø 2.4 (12x35)	10 Pcs.	140.0698	1031
90	Contact tip M10 CuCrZr; Ø 2.8 (12x35)	10 Pcs.	140.0712	1031
90	Contact tip M10 CuCrZr; Ø 3.2 (12x35)	10 Pcs.	140.0734	1031
90	Contact tip M10 CuCrZr silver-plated; Ø 1.6 (12x35)	10 Pcs.	147.0616	1031
100	Gas nozzle; cylindrical; ND Ø 23.0	10 Pcs.	145.0048	1037
101	Gas nozzle; conical; ND Ø 20.0	10 Pcs.	145.0081	1037
120	Guide spiral liner blank; Ø 2.8/6.3 mm; for 3.00 m		122.0066	1034
120	Guide spiral liner blank; Ø 2.8/6.3 mm; for 4.00 m		122.0067	1034
120	Guide spiral liner blank; Ø 3.5/7.0 mm; for 3.00 m		122.0079	1034
120	Guide spiral liner blank; Ø 3.5/7.0 mm; for 4.00 m		122.0080	1034

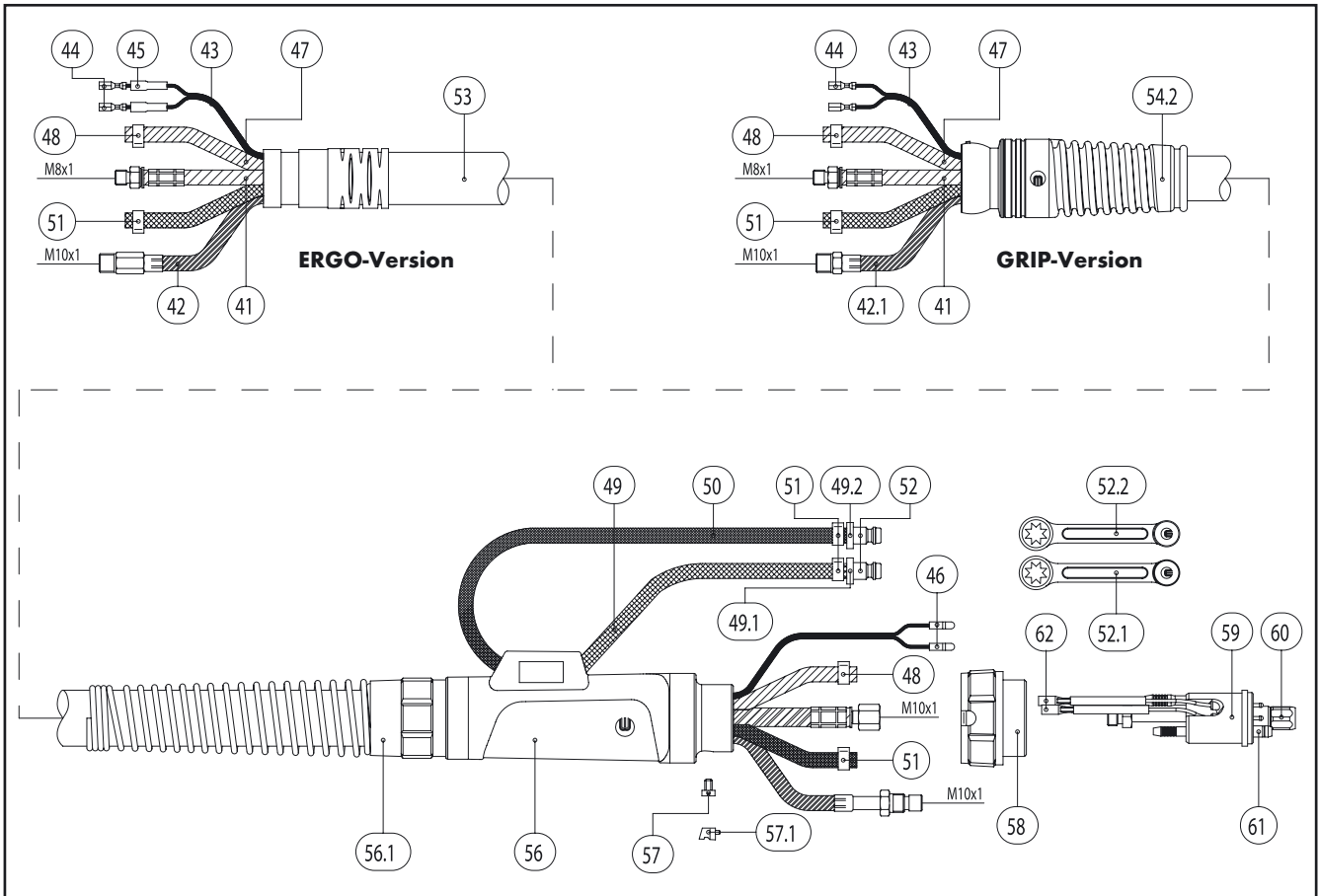


MIG/MAG Welding Torches MB ERGO 240 D – MB GRIP 240 D



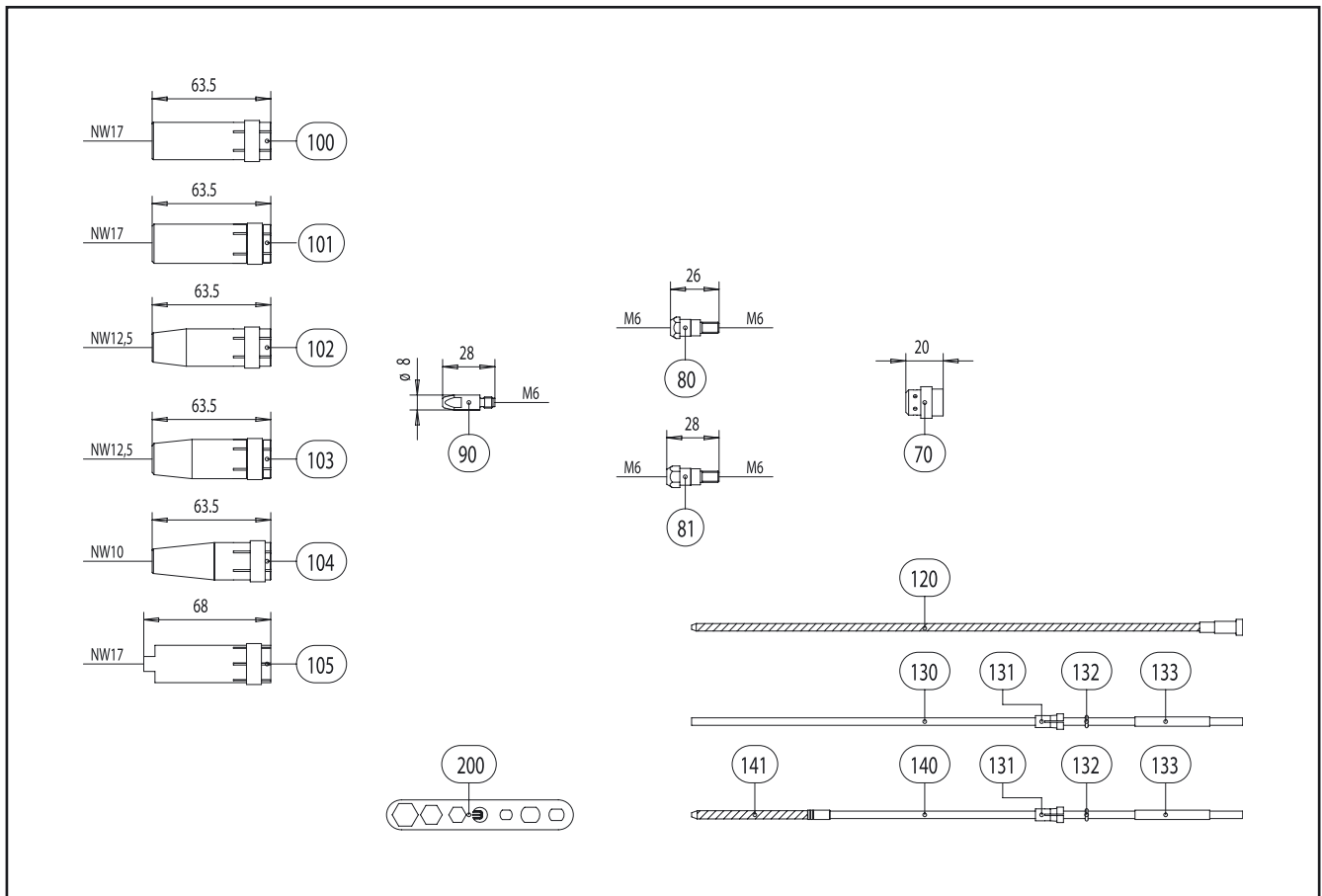
Pos.	Description	Units	Part-No.	Product-group
Torch				
	MB 240 D; ERGO; central adaptor WZ-2; 3.00 m		023.0077	1002
	MB 240 D; ERGO; central adaptor WZ-2; 4.00 m		023.0078	1002
	MB 240 D; ERGO; central adaptor WZ-2; 5.00 m		023.0079	1002
	MB 240 D GRIP; central adaptor WZ-2; 3.00 m		023.0225	1002
	MB 240 D GRIP; central adaptor WZ-2; 4.00 m		023.0226	1002
	MB 240 D GRIP; central adaptor WZ-2; 5.00 m		023.0227	1002
	AUT 240 D 0°; handle tube; central adaptor WZ-2; 3.00 m		923.0005	1003
	AUT 240 D 45°; handle tube; central adaptor WZ-2; 3.00 m		923.0009	1003
Swan neck				
1	Swan neck MB 240 D; 50° bent		023.0001	1009
1.1	Swan neck MB GRIP 240 D; 50° bent		023.0228	1009
1.3	Swan neck AUT 240 D; straight		923.0001	1010
1.4	Swan neck AUT 240 D; 45° bent		923.0002	1010
Handle ERGO				
10	ERGO handle with trigger cpl.		180.0076	1095
10.1	Trigger 2-pole		185.0031	9010
Handle GRIP				
11	Handle GRIP with trigger cpl.		180.0127	1095
11.1	Trigger 2-pole GRIP		185.0101	9010
Handle tube AUT				
38	Handle tube AUT		180.0097	1095
Cable assembly				
41	Power cable MB ERGO / MB GRIP / ABIMIG® (HDH) for 3.00 m		115.0065	1012
41	Power cable MB ERGO / MB GRIP / ABIMIG® (HDH) for 4.00 m		115.0070	1012
41	Power cable MB ERGO / MB GRIP / ABIMIG® (HDH) for 5.00 m		115.0074	1012
42	Wire conduit MB ERGO / ABIMIG® cpl. red (up to wire Ø 1.2) for 3.00 m		156.0019	1012
42	Wire conduit MB ERGO / ABIMIG® cpl. red (up to wire Ø 1.2) for 4.00 m		156.0023	1012

MIG/MAG Welding Torches MB ERGO 240 D – MB GRIP 240 D



Pos.	Description	Units	Part-No.	Product-group
42	Wire conduit MB ERGO / ABIMIG® cpl. red (up to wire Ø 1.2) for 5.00 m		156.0026	1012
42.1	Wire conduit ABIMIG® GRIP / MB GRIP cpl. for 3.00 m		156.0275	1012
42.1	Wire conduit ABIMIG® GRIP / MB GRIP cpl. for 4.00 m		156.0276	1012
42.1	Wire conduit ABIMIG® GRIP / MB GRIP cpl. for 5.00 m		156.0277	1012
43	Control cable 2-pole	200 m	100.0019	4050
44	Trigger wire connector	20 Pcs.	175.0022	9010
45	Insulating sleeve	20 Pcs.	400.0119	1095
46	Plug	20 Pcs.	175.0004	9010
47	Hose 30 black Ø 4.9x1.5	100 m	109.0040	4050
48	Hose clamp Ø 8.7 mm	20 Pcs.	171.0002	9010
49	Hose 42 HDH black; Ø 5.5x1.5	40 m	109.0052	4050
49.1	Code colour ring blue	20 Pcs.	501.2167	9010
49.2	Code colour ring red	20 Pcs.	501.2166	9010
50	Hose 46 black Ø 5.5x1.5 cpl. with plug nipple ND 5; 0.6 m		103.0108	1095
51	Hose clamp Ø 9.0 mm with ring (mark 9.5)	20 Pcs.	173.0001	9010
52	Plug nipple ND 5 mm / Ø 6.0 mm	20 Pcs.	501.0114	9010
52.1	Fastener cap red		501.2423	1095
52.2	Fastener cap blue		501.2424	1095
53	Outer cover with cable support Ø 25x1.5 for 3.00 m		107.0079	1095
53	Outer cover with cable support Ø 25x1.5 for 4.00 m		107.0044	1095
53	Outer cover with cable support Ø 25x1.5 for 5.00 m		107.0080	1095
w/o. fig.	Outer cover Ø 25x1.5	40 m	107.0004	4050
54.2	Ball joint cable support for ABIMIG® GRIP / MB GRIP (LC)		400.1125	1095
w/o. fig.	Inner ring for ABIMIG® / ABIMIG® GRIP / MB GRIP (LC)		400.0790	1095
56	Cable support machine side big cpl. ND 31		500.0342	9010
56.1	Cable support spring		500.0233	9010
56.1	Biclip inside		400.0328	9010
56.1	Biclip outside		400.0329	9010

MIG/MAG Welding Torches MB ERGO 240 D – MB GRIP 240 D

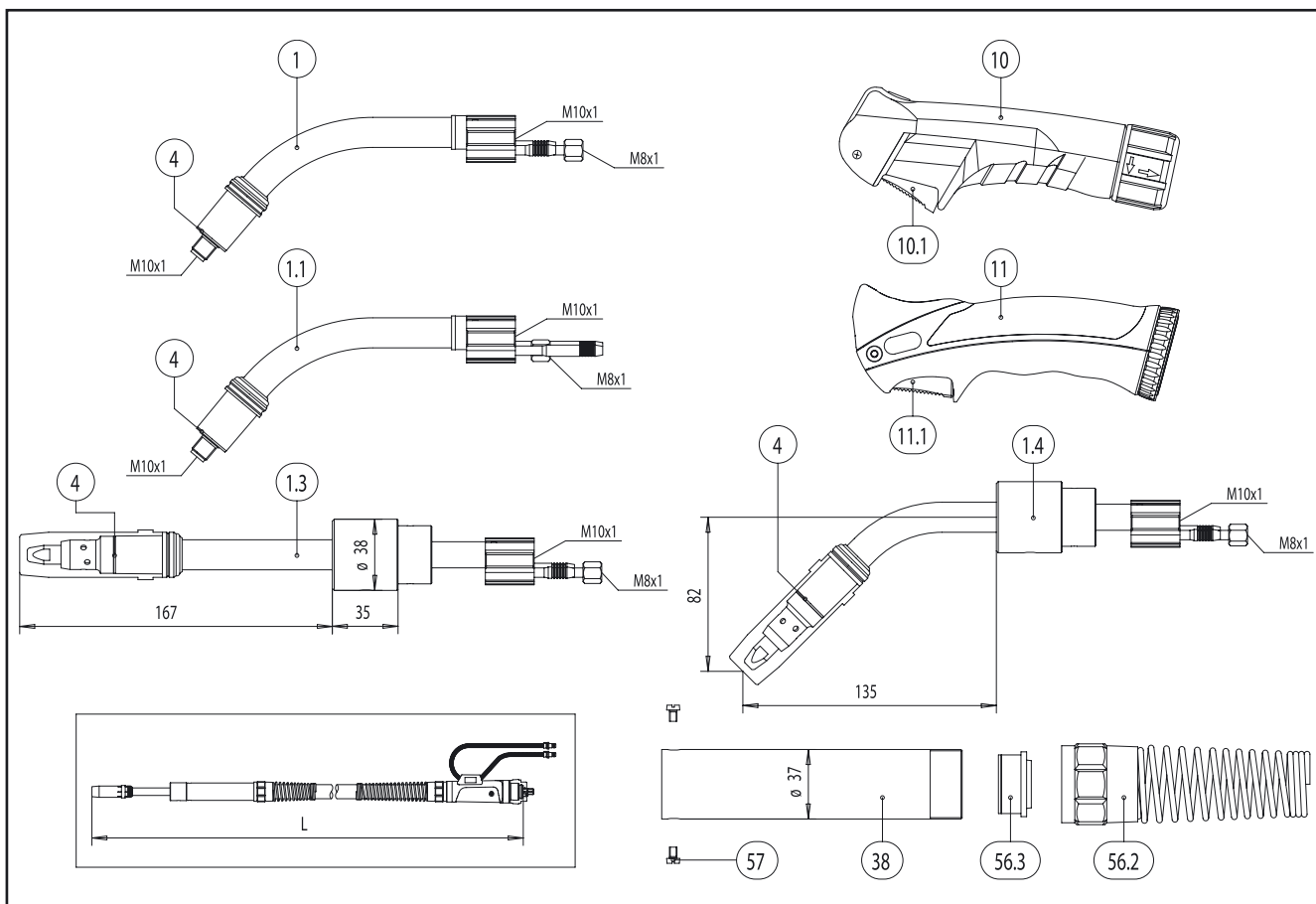


Pos.	Description	Units	Part-No.	Product-group
56.2	Cable support spring		500.0235	1095
56.3	Biclip Set 25/28		400.0332	9010
57	Pan head screw M4x6	20 Pcs.	000.0552	9010
57.1	Screw cap 1	20 Pcs.	500.0251	9010
58	Adaptor nut M33x2		500.0213	9010
59	Central adaptor WZ-2		501.0015	9010
59	Central adaptor WZ-2 without control leads		501.0034	9010
60	Coupling nut M10x1	10 Pcs.	501.0082	9010
61	O-Ring 4x1	20 Pcs.	165.0002	9010
62	Trigger wire connector; female	20 Pcs.	175.0003	9010
	Wear parts			
70	Gas diffuser, white	10 Pcs.	012.0183	1032
70	Gas diffuser, silicone rubber	10 Pcs.	012.0243	1032
80	Contact tip holder M6; 26.0 mm	10 Pcs.	142.0003	1033
81	Contact tip holder M6; 28.0 mm	10 Pcs.	142.0010	1033
90	Contact tip M6 E-Cu; Ø 0.8 (8x28)	10 Pcs.	140.0051	1030
90	Contact tip M6 E-Cu; Ø 1.0 (8x28)	10 Pcs.	140.0242	1030
90	Contact tip M6 E-Cu; Ø 1.2 (8x28)	10 Pcs.	140.0379	1030
90	Contact tip M6 CuCrZr; Ø 0.8 (8x28)	10 Pcs.	140.0054	1031
90	Contact tip M6 CuCrZr; Ø 1.0 (8x28)	10 Pcs.	140.0245	1031
90	Contact tip M6 CuCrZr; Ø 1.2 (8x28)	10 Pcs.	140.0382	1031
90	Contact tip M6 E-Cu; Ø 0.8 for alu wire (8x28)	10 Pcs.	141.0001	1030
90	Contact tip M6 E-Cu; Ø 1.0 for alu wire (8x28)	10 Pcs.	141.0006	1030
90	Contact tip M6 E-Cu; Ø 1.2 for alu wire (8x28)	10 Pcs.	141.0010	1030
90	Contact tip M6 CuCrZr silver-plated; Ø 0.8 (8x28)	10 Pcs.	147.0054	1031
90	Contact tip M6 CuCrZr silver-plated; Ø 1.0 (8x28)	10 Pcs.	147.0245	1031
90	Contact tip M6 CuCrZr silver-plated; Ø 1.2 (8x28)	10 Pcs.	147.0382	1031
100	Gas nozzle; cylindrical; ND Ø 17.0	10 Pcs.	145.0047	1036

MIG/MAG Welding Torches MB ERGO 240 D – MB GRIP 240 D

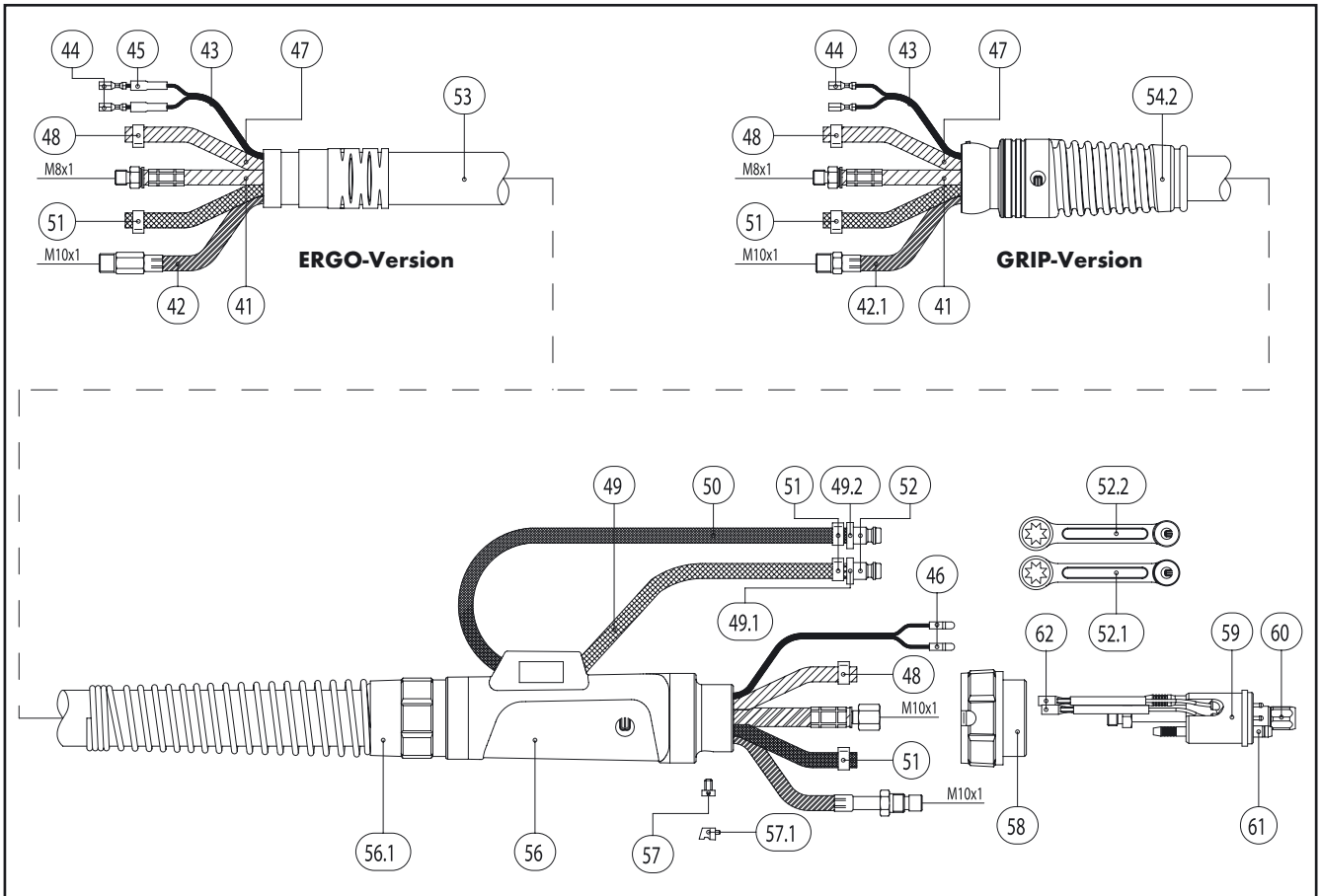
Pos.	Description	Units	Part-No.	Product-group
101	Gas nozzle; cylindrical; heavy duty; ND Ø 17.0	10 Pcs.	145.0062	1036
102	Gas nozzle; conical; ND Ø 12.5	10 Pcs.	145.0080	1036
103	Gas nozzle; conical; heavy duty; ND Ø 12.5	10 Pcs.	145.0101	1036
104	Gas nozzle; tapered; ND Ø 10.0	10 Pcs.	145.0128	1036
105	Spot weld gas nozzle; ND Ø 17.0	10 Pcs.	145.0174	1036
120	Guide spiral liner blank; 1.5/4.0; for wire Ø 0.8; for 3.00 m		122.0005	1034
120	Guide spiral liner blank; 1.5/4.0; for wire Ø 0.8; for 4.00 m		122.0007	1034
120	Guide spiral liner blank; 1.5/4.0; for wire Ø 0.8; for 5.00 m		122.0009	1034
120	Guide spiral liner blank; 2.0/4.5; for wire Ø 1.0 - 1.2; for 3.00 m		122.0031	1034
120	Guide spiral liner blank; 2.0/4.5; for wire Ø 1.0 - 1.2; for 4.00 m		122.0036	1034
120	Guide spiral liner blank; 2.0/4.5; for wire Ø 1.0 - 1.2; for 5.00 m		122.0039	1034
130	PTFE core liner 1.5/4.0; blue; wire electrode Ø 0.8 - 1.0; for 3.00 m		126.0005	1034
130	PTFE core liner 1.5/4.0; blue; wire electrode Ø 0.8 - 1.0; for 4.00 m		126.0008	1034
130	PTFE core liner 1.5/4.0; blue; wire electrode Ø 0.8 - 1.0; for 5.00 m		126.0011	1034
130	PTFE core liner 2.0/4.0; red; wire electrode Ø 1.0 - 1.2; for 3.00 m		126.0021	1034
130	PTFE core liner 2.0/4.0; red; wire electrode Ø 1.0 - 1.2; for 4.00 m		126.0026	1034
130	PTFE core liner 2.0/4.0; red; wire electrode Ø 1.0 - 1.2; for 5.00 m		126.0028	1034
130	PTFE carbon core liner 1.5/4.0; wire electrode Ø 0.8 - 1.0; for 3.00 m		127.0002	1034
130	PTFE carbon core liner 1.5/4.0; wire electrode Ø 0.8 - 1.0; for 4.00 m		127.0003	1034
130	PTFE carbon core liner 1.5/4.0; wire electrode Ø 0.8 - 1.0; for 5.00 m		127.0004	1034
130	PTFE carbon core liner 2.0/4.0; wire electrode Ø 1.0 - 1.2; for 3.00 m		127.0005	1034
130	PTFE carbon core liner 2.0/4.0; wire electrode Ø 1.0 - 1.2; for 4.00 m		127.0007	1034
130	PTFE carbon core liner 2.0/4.0; wire electrode Ø 1.0 - 1.2; for 5.00 m		127.0008	1034
131	Nipple for core liner at Ø 4.0	20 Pcs.	131.0001	1095
132	O-Ring 3.5x1.5	20 Pcs.	165.0008	9010
133	Guide tube for core liners up to Ø 4.0 (200 mm)		129.0461	1095
140	Combined wire guide cpl. polyamide/brass; 2.0/4.0; wire Ø 1.0 - 1.2; for 3.00 m		128.M002	1034
140	Combined wire guide cpl. polyamide/brass; 2.0/4.0; wire Ø 1.0 - 1.2; for 4.00 m		128.M003	1034
140	Combined wire guide cpl. polyamide/brass; 2.0/4.0; wire Ø 1.0 - 1.2; for 5.00 m		128.M004	1034
141	Brass spiral made up with sleeve (200 mm)		001.0305	1095
200	Spanner		191.0001	9010

MIG/MAG Welding Torches MB ERGO 401 / 401 D – MB GRIP 401 / 401 D



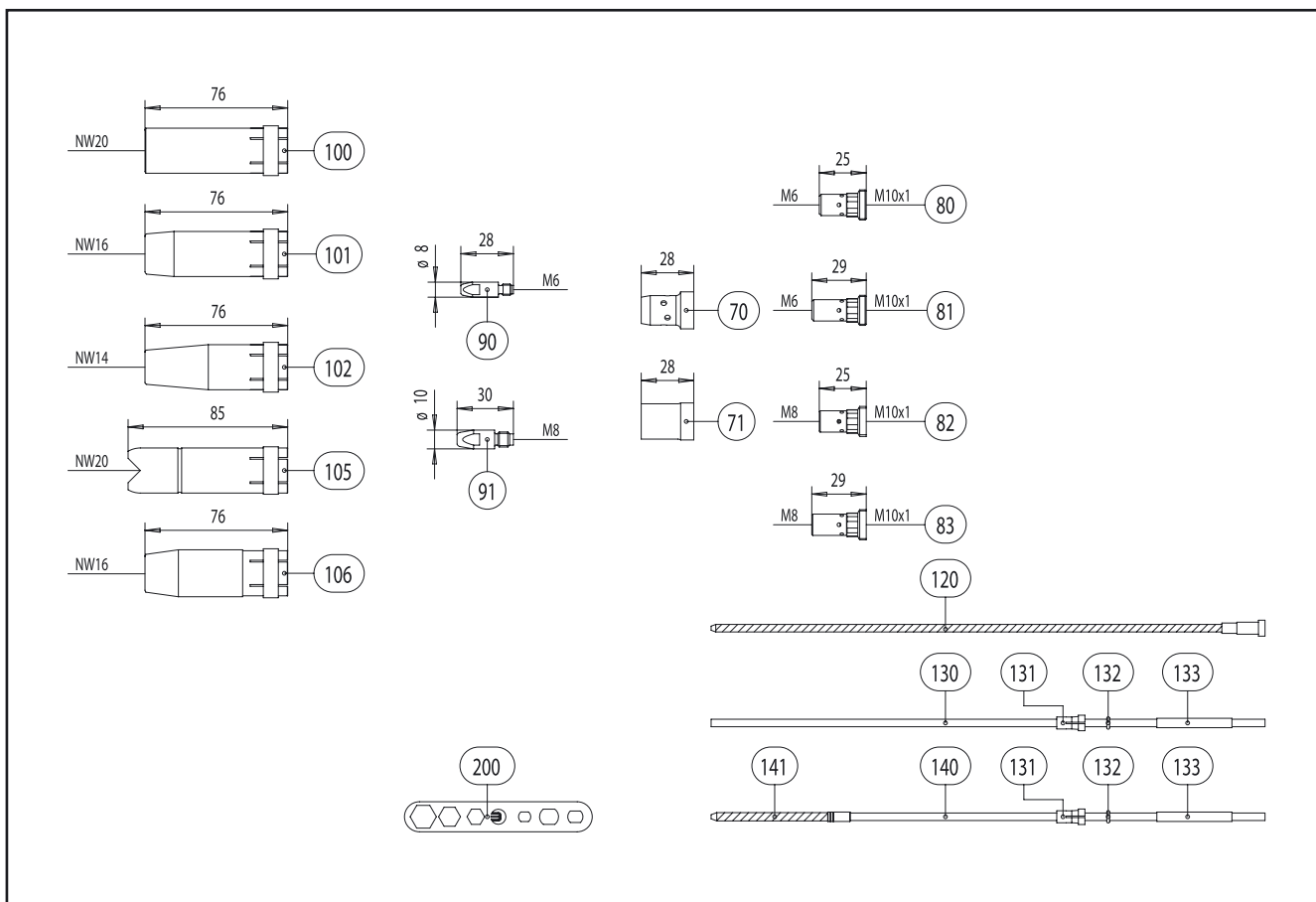
Pos.	Description	Units	Part-No.	Product-group
Torch (D-Version)				
	MB 401 D; ERGO; central adaptor WZ-2; 3.00 m		033.0107	1002
	MB 401 D; ERGO; central adaptor WZ-2; 4.00 m		033.0108	1002
	MB 401 D; ERGO; central adaptor WZ-2; 5.00 m		033.0109	1002
	MB 401 D GRIP; central adaptor WZ-2; 3.00 m		033.0271	1002
	MB 401 D GRIP; central adaptor WZ-2; 4.00 m		033.0272	1002
	MB 401 D GRIP; central adaptor WZ-2; 5.00 m		033.0273	1002
	AUT 401/501 D; 0°; handle tube; central adaptor WZ-2; 3.00 m		934.0032	1003
	AUT 401/501 D; 45°; handle tube; central adaptor WZ-2; 3.00 m		934.0033	1003
Torch				
	MB 401; ERGO; central adaptor WZ-2; 3.00 m		030.0125	1002
	MB 401; ERGO; central adaptor WZ-2; 4.00 m		030.0126	1002
	MB 401; ERGO; central adaptor WZ-2; 5.00 m		030.0127	1002
	MB 401 GRIP; central adaptor WZ-2; 3.00 m		030.0205	1002
	MB 401 GRIP; central adaptor WZ-2; 4.00 m		030.0206	1002
	MB 401 GRIP; central adaptor WZ-2; 5.00 m		030.0207	1002
	AUT 401/501; 0°; handle tube; central adaptor WZ-2; 3.00 m		932.0045	1003
	AUT 401/501; 45°; handle tube; central adaptor WZ-2; 3.00 m		932.0046	1003
Swan neck (D-Version)				
1	Swan neck MB 401 D; 50° bent		033.0001	1009
1.1	Swan neck MB GRIP 401 D; 50° bent		033.0277	1009
1.3	Swan neck AUT 401 D/501 D; straight		934.0001	1010
1.4	Swan neck AUT 401 D/501 D; 45° bent		934.0002	1010
4	Insulator	20 Pcs.	030.0019	1095
Swan neck				
w/o. fig.	Swan neck MB 401; 50° bent		030.0001	1009
w/o. fig.	Swan neck MB GRIP 401; 50° bent		030.0208	1009
w/o. fig.	Swan neck AUT 401/501; straight		932.0001	1010

MIG/MAG Welding Torches MB ERGO 401 / 401 D – MB GRIP 401 / 401 D



Pos.	Description	Units	Part-No.	Product-group
w/o. fig.	Swan neck AUT 401/501; 45° bent		932.0002	1010
	Handle ERGO			
10	ERGO handle with trigger cpl.		180.0076	1095
10.1	Trigger 2-pole		185.0031	9010
	Handle GRIP			
11	Handle GRIP with trigger cpl.		180.0127	1095
11.1	Trigger 2-pole GRIP		185.0101	9010
	Handle tube AUT			
38	Handle tube AUT		180.0097	1095
	Cable assembly			
41	Power cable MB ERGO / MB GRIP / ABIMIG® (HDH) for 3.00 m		115.0065	1012
41	Power cable MB ERGO / MB GRIP / ABIMIG® (HDH) for 4.00 m		115.0070	1012
41	Power cable MB ERGO / MB GRIP / ABIMIG® (HDH) for 5.00 m		115.0074	1012
42	Wire conduit MB ERGO / ABIMIG® cpl. red (up to wire Ø 1.2) for 3.00 m		156.0019	1012
42	Wire conduit MB ERGO / ABIMIG® cpl. red (up to wire Ø 1.2) for 4.00 m		156.0023	1012
42	Wire conduit MB ERGO / ABIMIG® cpl. red (up to wire Ø 1.2) for 5.00 m		156.0026	1012
42.1	Wire conduit ABIMIG® GRIP / MB GRIP cpl. for 3.00 m		156.0275	1012
42.1	Wire conduit ABIMIG® GRIP / MB GRIP cpl. for 4.00 m		156.0276	1012
42.1	Wire conduit ABIMIG® GRIP / MB GRIP cpl. for 5.00 m		156.0277	1012
43	Control cable 2-pole	200 m	100.0019	4050
44	Trigger wire connector	20 Pcs.	175.0022	9010
45	Insulating sleeve	20 Pcs.	400.0119	1095
46	Plug	20 Pcs.	175.0004	9010
47	Hose 30 black Ø 4.9x1.5	100 m	109.0040	4050
48	Hose clamp Ø 8.7 mm	20 Pcs.	171.0002	9010
49	Hose 42 HDH black; Ø 5.5x1.5	40 m	109.0052	4050
49.1	Code colour ring blue	20 Pcs.	501.2167	9010
49.2	Code colour ring red	20 Pcs.	501.2166	9010

MIG/MAG Welding Torches MB ERGO 401 / 401 D – MB GRIP 401 / 401 D



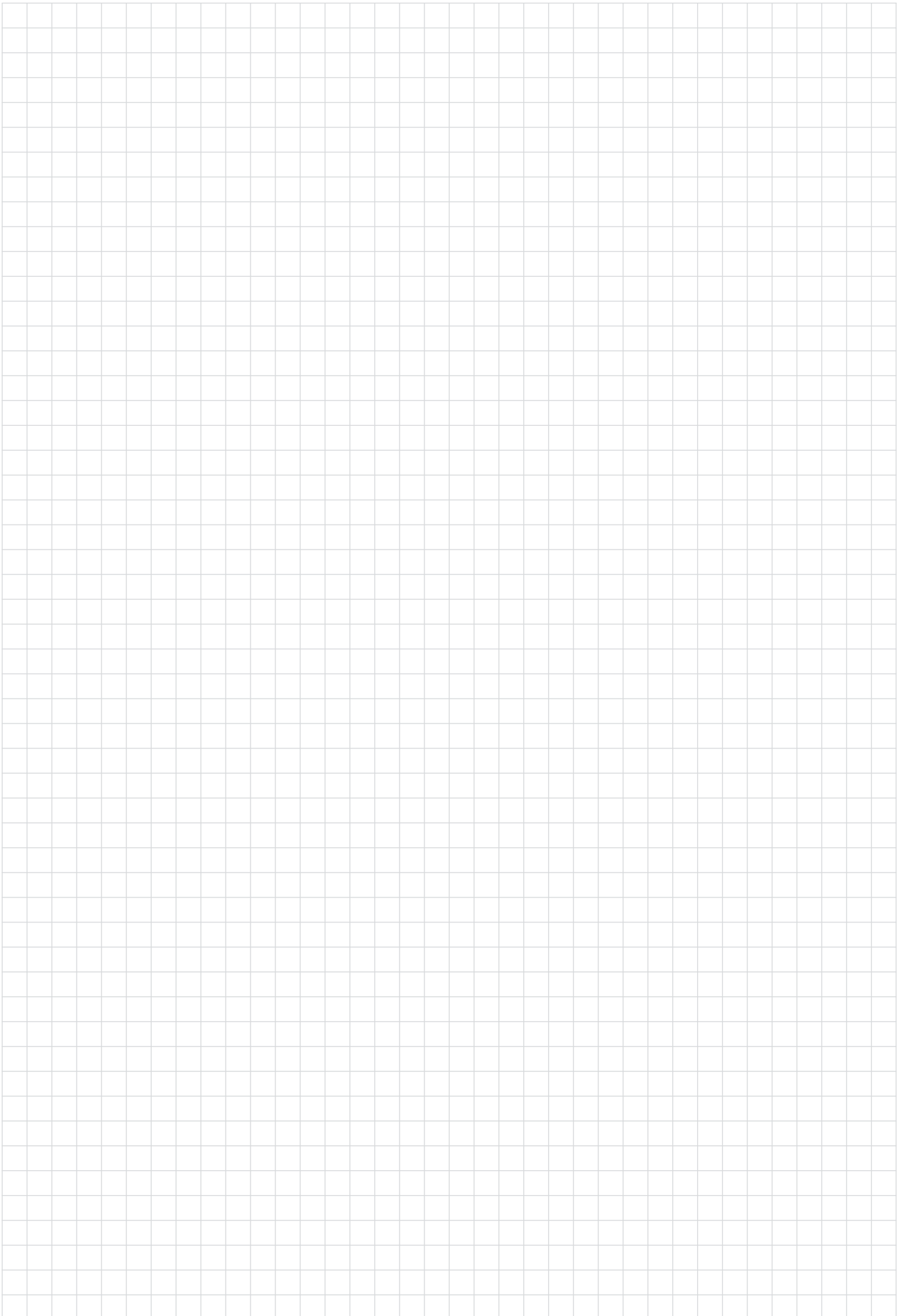
Pos.	Description	Units	Part-No.	Product-group
50	Hose 46 black Ø 5.5x1.5 cpl. with plug nipple ND 5; 0.6 m		103.0108	1095
51	Hose clamp Ø 9.0 mm with ring (mark 9.5)	20 Pcs.	173.0001	9010
52	Plug nipple ND 5 mm / Ø 6.0 mm	20 Pcs.	501.0114	9010
52.1	Fastener cap red		501.2423	1095
52.2	Fastener cap blue		501.2424	1095
53	Outer cover with cable support Ø 25x1.5 for 3.00 m		107.0079	1095
53	Outer cover with cable support Ø 25x1.5 for 4.00 m		107.0044	1095
53	Outer cover with cable support Ø 25x1.5 for 5.00 m		107.0080	1095
w/o. fig.	Outer cover Ø 25x1.5	40 m	107.0004	4050
54.2	Ball joint cable support for ABIMIG® GRIP / MB GRIP (LC)		400.1125	1095
w/o. fig.	Inner ring for ABIMIG® / ABIMIG® GRIP / MB GRIP (LC)		400.0790	1095
56	Cable support machine side big cpl. ND 31		500.0342	9010
56.1	Cable support spring		500.0233	9010
56.1	Biclip inside		400.0328	9010
56.1	Biclip outside		400.0329	9010
56.2	Cable support spring		500.0235	1095
56.3	Biclip Set 25/28		400.0332	9010
57	Pan head screw M4x6	20 Pcs.	000.0552	9010
57.1	Screw cap 1	20 Pcs.	500.0251	9010
58	Adaptor nut M33x2		500.0213	9010
59	Central adaptor WZ-2		501.0015	9010
59	Central adaptor WZ-2 without control leads		501.0034	9010
60	Coupling nut M10x1	10 Pcs.	501.0082	9010
61	O-Ring 4x1	20 Pcs.	165.0002	9010
62	Trigger wire connector; female	20 Pcs.	175.0003	9010
Wear parts MB 401 / 401 D				
70	Gas diffuser, white	10 Pcs.	030.0145	1032
70	Gas diffuser, long life	10 Pcs.	030.0037	1032

MIG/MAG Welding Torches MB ERGO 401 / 401 D – MB GRIP 401 / 401 D

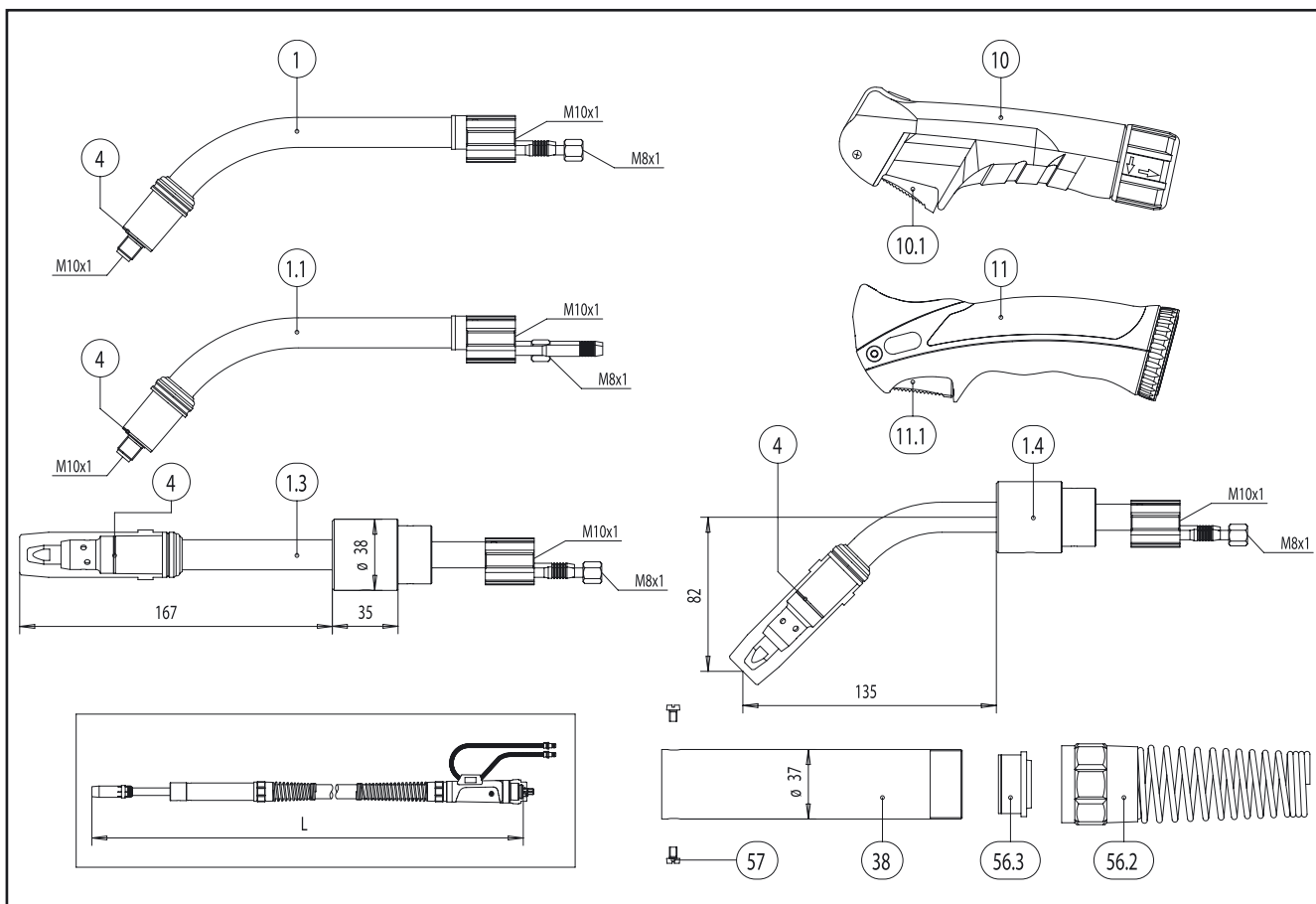
Pos.	Description	Units	Part-No.	Product-group
70	Gas diffuser, ceramic	10 Pcs.	030.0190	1032
71	Nozzle insulator	10 Pcs.	146.0013	1032
	Wear parts MB 401 D			
80	Contact tip holder M6; 25.0 mm (short)	10 Pcs.	142.0008	1033
81	Contact tip holder M6; 29.0 mm (long)	10 Pcs.	142.0013	1033
82	Contact tip holder M8; 25.0 mm (short)	10 Pcs.	142.0022	1033
83	Contact tip holder M8; 29.0 mm (long)	10 Pcs.	142.0027	1033
	Wear parts MB 401 / 401 D			
90	Contact tip M6 E-Cu; Ø 0.8 (8x28)	10 Pcs.	140.0051	1030
90	Contact tip M6 E-Cu; Ø 1.0 (8x28)	10 Pcs.	140.0242	1030
90	Contact tip M6 E-Cu; Ø 1.2 (8x28)	10 Pcs.	140.0379	1030
90	Contact tip M6 CuCrZr; Ø 0.8 (8x28)	10 Pcs.	140.0054	1031
90	Contact tip M6 CuCrZr; Ø 1.0 (8x28)	10 Pcs.	140.0245	1031
90	Contact tip M6 CuCrZr; Ø 1.2 (8x28)	10 Pcs.	140.0382	1031
90	Contact tip M6 E-Cu; Ø 0.8 for alu wire (8x28)	10 Pcs.	141.0001	1030
90	Contact tip M6 CuCrZr silver-plated; Ø 0.8 (8x28)	10 Pcs.	147.0054	1031
90	Contact tip M6 E-Cu; Ø 1.0 for alu wire (8x28)	10 Pcs.	141.0006	1030
90	Contact tip M6 CuCrZr silver-plated; Ø 1.0 (8x28)	10 Pcs.	147.0245	1031
90	Contact tip M6 E-Cu; Ø 1.2 for alu wire (8x28)	10 Pcs.	141.0010	1030
90	Contact tip M6 CuCrZr silver-plated; Ø 1.2 (8x28)	10 Pcs.	147.0382	1031
91	Contact tip M8 E-Cu; Ø 0.8 (10x30)	10 Pcs.	140.0114	1030
91	Contact tip M8 E-Cu; Ø 1.0 (10x30)	10 Pcs.	140.0313	1030
91	Contact tip M8 E-Cu; Ø 1.2 (10x30)	10 Pcs.	140.0442	1030
91	Contact tip M8 CuCrZr; Ø 0.8 (10x30)	10 Pcs.	140.0117	1031
91	Contact tip M8 CuCrZr; Ø 1.0 (10x30)	10 Pcs.	140.0316	1031
91	Contact tip M8 CuCrZr; Ø 1.2 (10x30)	10 Pcs.	140.0445	1031
91	Contact tip M8 CuCrZr silver-plated; Ø 0.8 (10x30)	10 Pcs.	147.0117	1031
91	Contact tip M8 CuCrZr silver-plated; Ø 1.0 (10x30)	10 Pcs.	147.0316	1031
91	Contact tip M8 CuCrZr silver-plated; Ø 1.2 (10x30)	10 Pcs.	147.0445	1031
91	Contact tip M8 E-Cu; Ø 0.8 for alu wire (10x30)	10 Pcs.	141.0003	1030
91	Contact tip M8 E-Cu; Ø 1.0 for alu wire (10x30)	10 Pcs.	141.0008	1030
91	Contact tip M8 E-Cu; Ø 1.2 for alu wire (10x30)	10 Pcs.	141.0015	1030
100	Gas nozzle; cylindrical; ND Ø 20.0	10 Pcs.	145.0051	1037
101	Gas nozzle; conical; ND Ø 16.0	10 Pcs.	145.0085	1037
102	Gas nozzle; tapered; ND Ø 14.0	10 Pcs.	145.0132	1037
105	Spot weld gas nozzle; ND Ø 20.0	10 Pcs.	145.0179	1037
106	Gas nozzle; heavy duty; ND Ø 16.0 (only use with nozzle insulator)	10 Pcs.	145.0086	1037
120	Guide spiral liner blank; 1.5/4.0; for wire Ø 0.8; for 3.00 m		122.0005	1034
120	Guide spiral liner blank; 1.5/4.0; for wire Ø 0.8; for 4.00 m		122.0007	1034
120	Guide spiral liner blank; 1.5/4.0; for wire Ø 0.8; for 5.00 m		122.0009	1034
120	Guide spiral liner blank; 2.0/4.5; for wire Ø 1.0 - 1.2; for 3.00 m		122.0031	1034
120	Guide spiral liner blank; 2.0/4.5; for wire Ø 1.0 - 1.2; for 4.00 m		122.0036	1034
120	Guide spiral liner blank; 2.0/4.5; for wire Ø 1.0 - 1.2; for 5.00 m		122.0039	1034
130	PTFE core liner 1.5/4.0; blue; wire electrode Ø 0.8 - 1.0; for 3.00 m		126.0005	1034
130	PTFE core liner 1.5/4.0; blue; wire electrode Ø 0.8 - 1.0; for 4.00 m		126.0008	1034
130	PTFE core liner 1.5/4.0; blue; wire electrode Ø 0.8 - 1.0; for 5.00 m		126.0011	1034
130	PTFE core liner 2.0/4.0; red; wire electrode Ø 1.0 - 1.2; for 3.00 m		126.0021	1034
130	PTFE core liner 2.0/4.0; red; wire electrode Ø 1.0 - 1.2; for 4.00 m		126.0026	1034
130	PTFE core liner 2.0/4.0; red; wire electrode Ø 1.0 - 1.2; for 5.00 m		126.0028	1034
130	PTFE carbon core liner 1.5/4.0; wire electrode Ø 0.8 - 1.0; for 3.00 m		127.0002	1034
130	PTFE carbon core liner 1.5/4.0; wire electrode Ø 0.8 - 1.0; for 4.00 m		127.0003	1034
130	PTFE carbon core liner 1.5/4.0; wire electrode Ø 0.8 - 1.0; for 5.00 m		127.0004	1034
130	PTFE carbon core liner 2.0/4.0; wire electrode Ø 1.0 - 1.2; for 3.00 m		127.0005	1034
130	PTFE carbon core liner 2.0/4.0; wire electrode Ø 1.0 - 1.2; for 4.00 m		127.0007	1034
130	PTFE carbon core liner 2.0/4.0; wire electrode Ø 1.0 - 1.2; for 5.00 m		127.0008	1034
131	Nipple for core liner at Ø 4.0	20 Pcs.	131.0001	1095

MIG/MAG Welding Torches MB ERGO 401 / 401 D – MB GRIP 401 / 401 D

Pos.	Description	Units	Part-No.	Product-group
132	O-Ring 3.5x1.5	20 Pcs.	165.0008	9010
133	Guide tube for core liners up to Ø 4.0 (200 mm)		129.0461	1095
140	Combined wire guide cpl. polyamide/brass; 2.0/4.0; wire Ø 1.0 - 1.2; for 3.00 m		128.M002	1034
140	Combined wire guide cpl. polyamide/brass; 2.0/4.0; wire Ø 1.0 - 1.2; for 4.00 m		128.M003	1034
140	Combined wire guide cpl. polyamide/brass; 2.0/4.0; wire Ø 1.0 - 1.2; for 5.00 m		128.M004	1034
141	Brass spiral made up with sleeve (200 mm)		001.0305	1095
200	Spanner		191.0001	9010

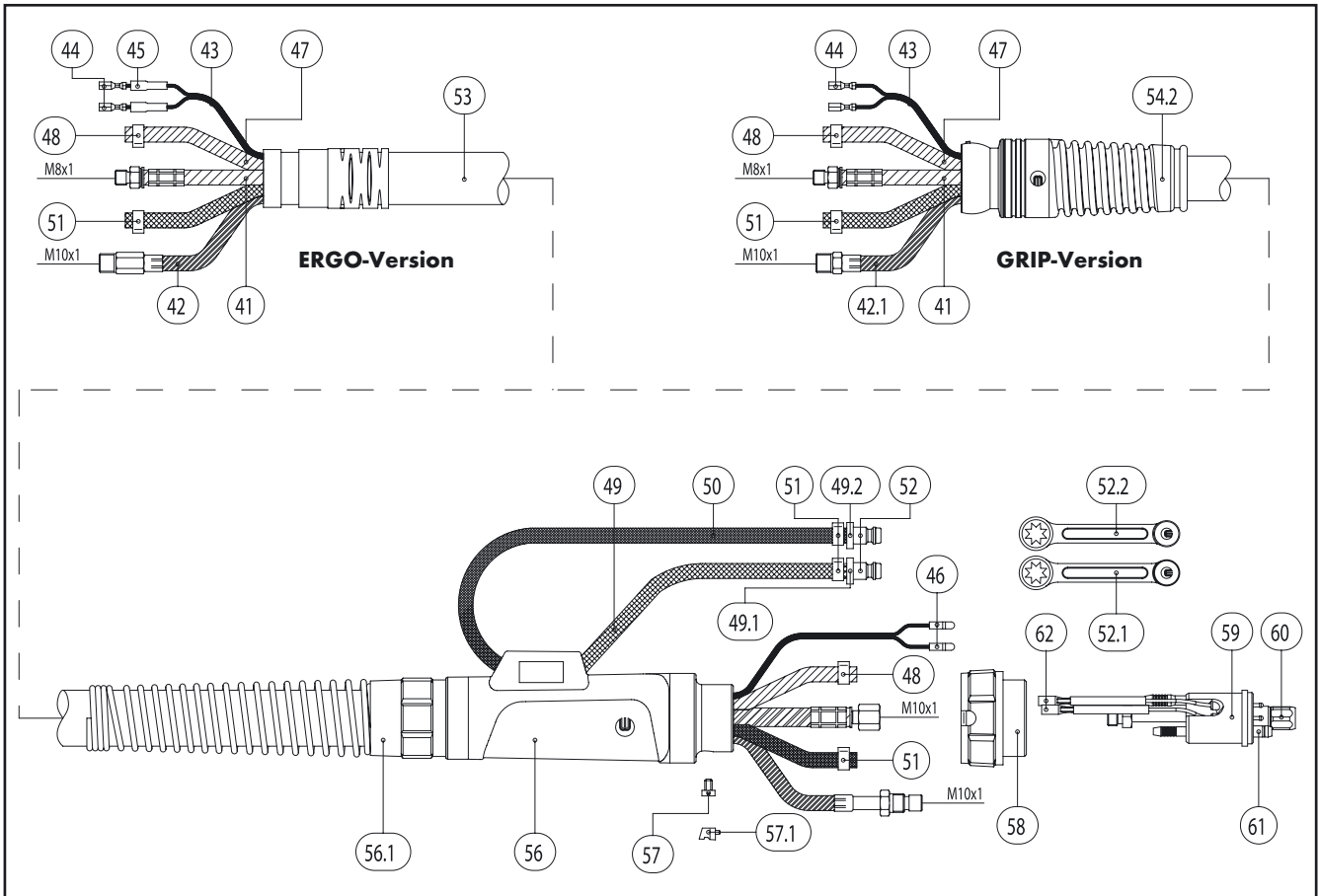


MIG/MAG Welding Torches MB ERGO 501 / 501 D – MB GRIP 501 / 501 D



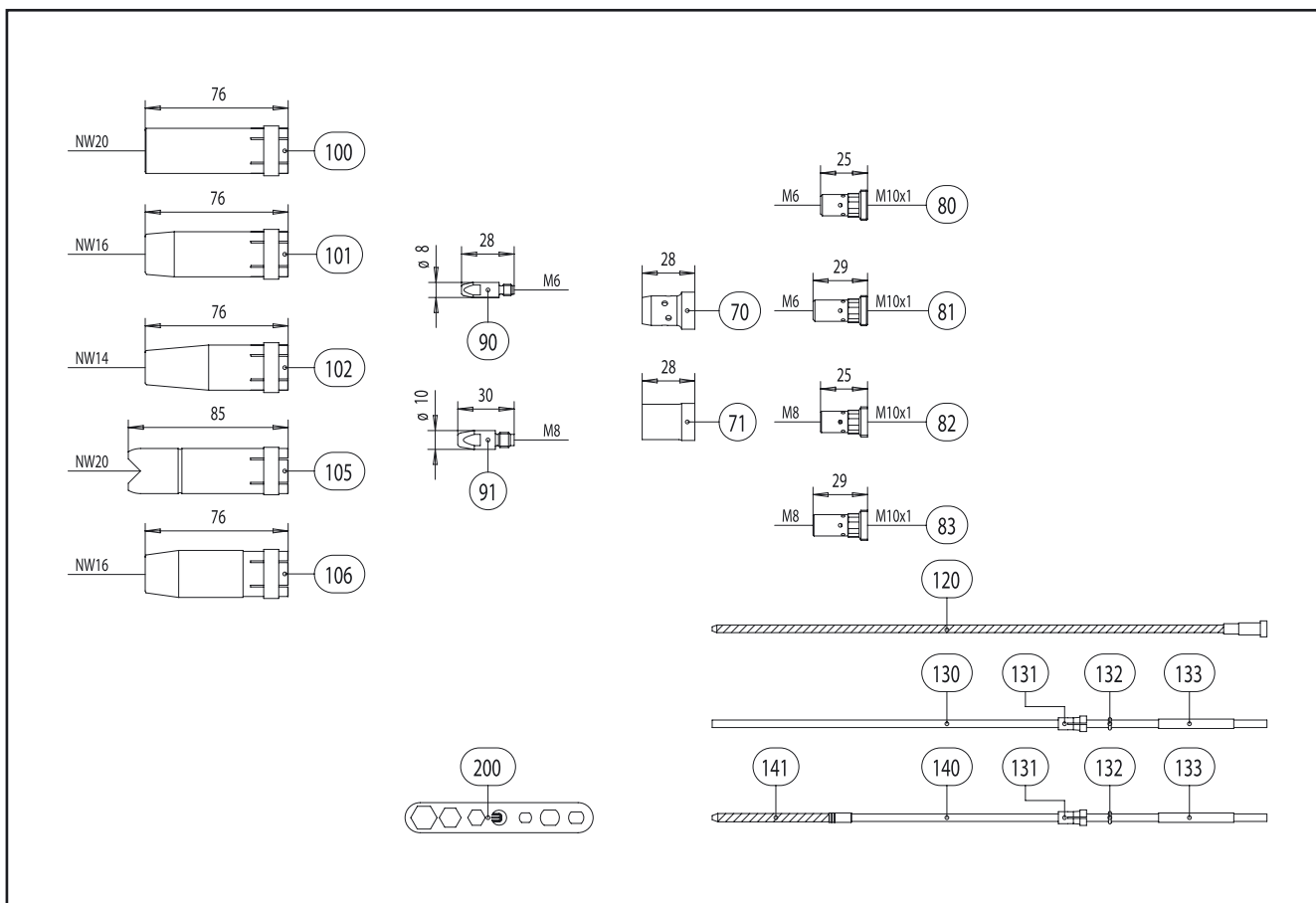
Pos.	Description	Units	Part-No.	Product-group
Torch (D-Version)				
	MB 501 D; ERGO; central adaptor WZ-2; 3.00 m		034.0160	1002
	MB 501 D; ERGO; central adaptor WZ-2; 4.00 m		034.0161	1002
	MB 501 D; ERGO; central adaptor WZ-2; 5.00 m		034.0162	1002
	MB 501 D GRIP; central adaptor WZ-2; 3.00 m		034.0492	1002
	MB 501 D GRIP; central adaptor WZ-2; 4.00 m		034.0493	1002
	MB 501 D GRIP; central adaptor WZ-2; 5.00 m		034.0494	1002
	AUT 401/501 D; 0°; handle tube; central adaptor WZ-2; 3.00 m		934.0032	1003
	AUT 401/501 D; 45°; handle tube; central adaptor WZ-2; 3.00 m		934.0033	1003
Torch				
	MB 501; ERGO; central adaptor WZ-2; 3.00 m		032.0145	1002
	MB 501; ERGO; central adaptor WZ-2; 4.00 m		032.0146	1002
	MB 501; ERGO; central adaptor WZ-2; 5.00 m		032.0147	1002
	MB 501 GRIP; central adaptor WZ-2; 3.00 m		032.0231	1002
	MB 501 GRIP; central adaptor WZ-2; 4.00 m		032.0232	1002
	MB 501 GRIP; central adaptor WZ-2; 5.00 m		032.0233	1002
	AUT 401/501; 0°; handle tube; central adaptor WZ-2; 3.00 m		932.0045	1003
	AUT 401/501; 45°; handle tube; central adaptor WZ-2; 3.00 m		932.0046	1003
Swan neck (D-Version)				
1	Swan neck MB 501 D; 50° bent		034.0001	1009
1.1	Swan neck MB GRIP 501 D; 50° bent		034.0496	1009
1.3	Swan neck AUT 401 D/501 D; straight		934.0001	1010
1.4	Swan neck AUT 401 D/501 D; 45° bent		934.0002	1010
4	Insulator	20 Pcs.	030.0019	1095
Swan neck				
w/o. fig.	Swan neck MB 501; 50° bent		032.0002	1009
w/o. fig.	Swan neck MB GRIP 501; 50° bent		032.0234	1009
w/o. fig.	Swan neck AUT 401/501; straight		932.0001	1010

MIG/MAG Welding Torches MB ERGO 501 / 501 D – MB GRIP 501 / 501 D



Pos.	Description	Units	Part-No.	Product-group
w/o. fig.	Swan neck AUT 401/501; 45° bent		932.0002	1010
	Handle ERGO			
10	ERGO handle with trigger cpl.		180.0076	1095
10.1	Trigger 2-pole		185.0031	9010
	Handle GRIP			
11	Handle GRIP with trigger cpl.		180.0127	1095
11.1	Trigger 2-pole GRIP		185.0101	9010
	Handle tube AUT			
38	Handle tube AUT		180.0097	1095
	Cable assembly			
41	Power cable MB ERGO / MB GRIP / ABIMIG® (HDH) for 3.00 m		115.0065	1012
41	Power cable MB ERGO / MB GRIP / ABIMIG® (HDH) for 4.00 m		115.0070	1012
41	Power cable MB ERGO / MB GRIP / ABIMIG® (HDH) for 5.00 m		115.0074	1012
42	Wire conduit MB ERGO / ABIMIG® cpl. red (up to wire Ø 1.2) for 3.00 m		156.0019	1012
42	Wire conduit MB ERGO / ABIMIG® cpl. red (up to wire Ø 1.2) for 4.00 m		156.0023	1012
42	Wire conduit MB ERGO / ABIMIG® cpl. red (up to wire Ø 1.2) for 5.00 m		156.0026	1012
42	Wire conduit MB ERGO / ABIMIG® cpl. blue (wire Ø 1.6 onwards) for 3.00 m		155.0008	1012
42	Wire conduit MB ERGO / ABIMIG® cpl. blue (wire Ø 1.6 onwards) for 4.00 m		155.0009	1012
42	Wire conduit MB ERGO / ABIMIG® cpl. blue (wire Ø 1.6 onwards) for 5.00 m		155.0010	1012
42.1	Wire conduit ABIMIG® GRIP / MB GRIP cpl. for 3.00 m		156.0275	1012
42.1	Wire conduit ABIMIG® GRIP / MB GRIP cpl. for 4.00 m		156.0276	1012
42.1	Wire conduit ABIMIG® GRIP / MB GRIP cpl. for 5.00 m		156.0277	1012
43	Control cable 2-pole	200 m	100.0019	4050
44	Trigger wire connector	20 Pcs.	175.0022	9010
45	Insulating sleeve	20 Pcs.	400.0119	1095
46	Plug	20 Pcs.	175.0004	9010
47	Hose 30 black Ø 4.9x1.5	100 m	109.0040	4050
48	Hose clamp Ø 8.7 mm	20 Pcs.	171.0002	9010

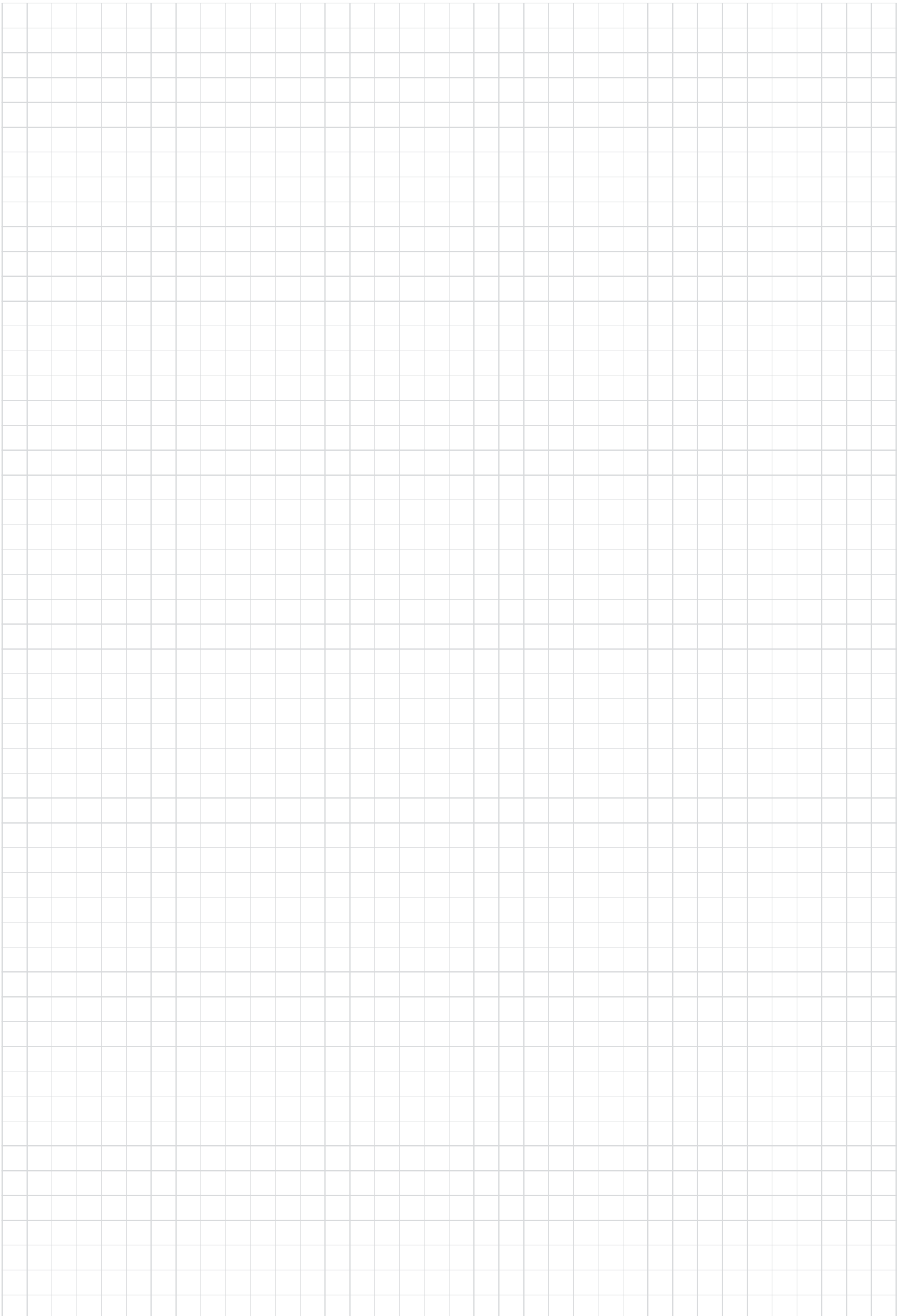
MIG/MAG Welding Torches MB ERGO 501 / 501 D – MB GRIP 501 / 501 D



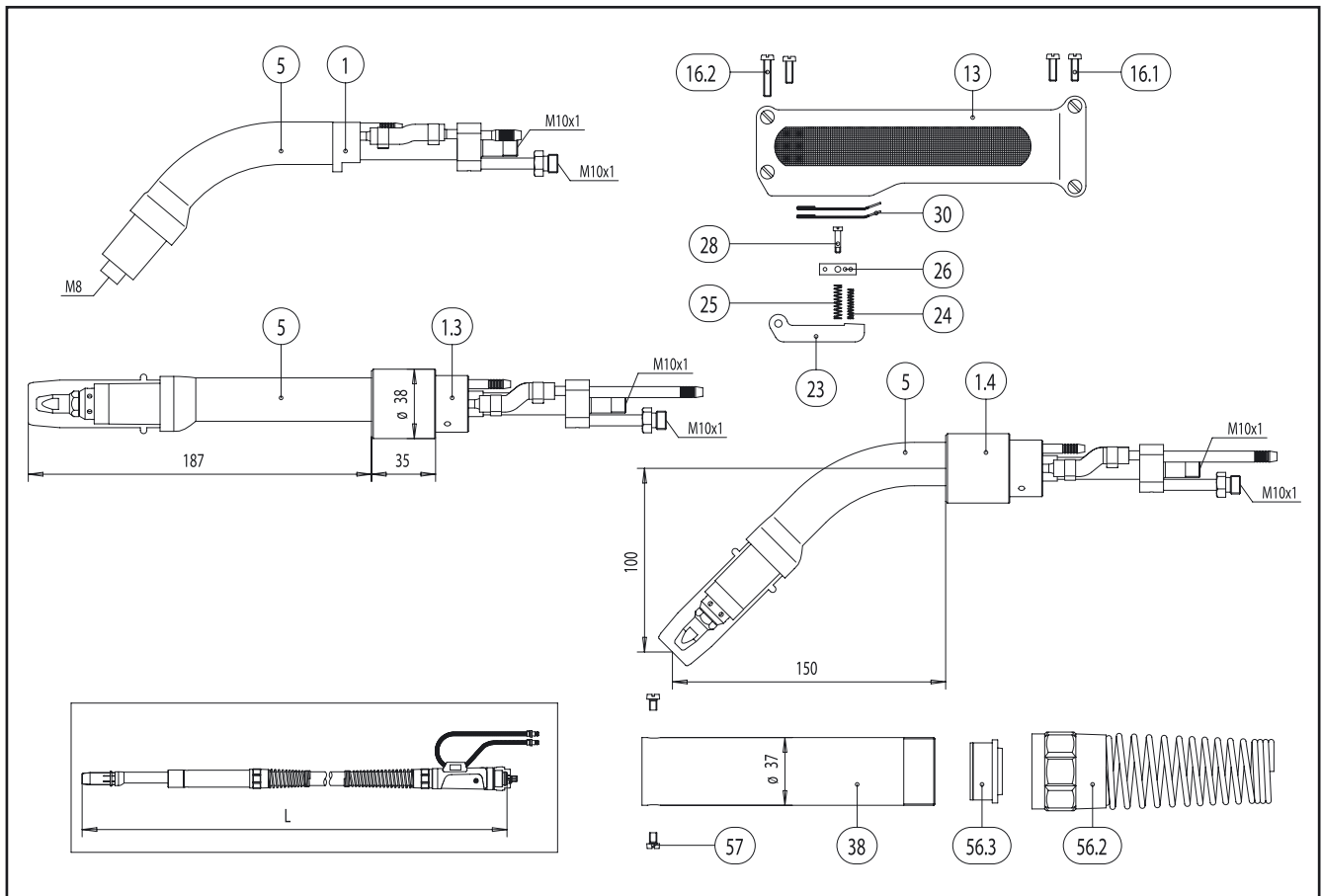
Pos.	Description	Units	Part-No.	Product-group
49	Hose 42 HDH black; Ø 5.5x1.5	40 m	109.0052	4050
49.1	Code colour ring blue	20 Pcs.	501.2167	9010
49.2	Code colour ring red	20 Pcs.	501.2166	9010
50	Hose 46 black Ø 5.5x1.5 cpl. with plug nipple ND 5; 0.6 m		103.0108	1095
51	Hose clamp Ø 9.0 mm with ring (mark 9.5)	20 Pcs.	173.0001	9010
52	Plug nipple ND 5 mm / Ø 6.0 mm	20 Pcs.	501.0114	9010
52.1	Fastener cap red		501.2423	1095
52.2	Fastener cap blue		501.2424	1095
53	Outer cover with cable support Ø 25x1.5 for 3.00 m		107.0079	1095
53	Outer cover with cable support Ø 25x1.5 for 4.00 m		107.0044	1095
53	Outer cover with cable support Ø 25x1.5 for 5.00 m		107.0080	1095
w/o. fig.	Outer cover Ø 25x1.5	40 m	107.0004	4050
54.2	Ball joint cable support for ABIMIG® GRIP / MB GRIP (LC)		400.1125	1095
w/o. fig.	Inner ring for ABIMIG® / ABIMIG® GRIP / MB GRIP (LC)		400.0790	1095
56	Cable support machine side big cpl. ND 31		500.0342	9010
56.1	Cable support spring		500.0233	9010
56.1	Biclip inside		400.0328	9010
56.1	Biclip outside		400.0329	9010
56.2	Cable support spring		500.0235	1095
56.3	Biclip Set 25/28		400.0332	9010
57	Pan head screw M4x6	20 Pcs.	000.0552	9010
57.1	Screw cap 1	20 Pcs.	500.0251	9010
58	Adaptor nut M33x2		500.0213	9010
59	Central adaptor WZ-2		501.0015	9010
59	Central adaptor WZ-2 without control leads		501.0034	9010
60	Coupling nut M10x1	10 Pcs.	501.0082	9010
61	O-Ring 4x1	20 Pcs.	165.0002	9010
62	Trigger wire connector; female	20 Pcs.	175.0003	9010

MIG/MAG Welding Torches MB ERGO 501 / 501 D – MB GRIP 501 / 501 D

Pos.	Description	Units	Part-No.	Product-group
Wear parts MB 501 / 501 D				
70	Gas diffuser, white	10 Pcs.	030.0145	1032
70	Gas diffuser, ceramic	10 Pcs.	030.0190	1032
70	Gas diffuser, long life	10 Pcs.	030.0037	1032
71	Nozzle insulator	10 Pcs.	146.0013	1032
Wear parts MB 501 D				
80	Contact tip holder M6; 25.0 mm (short)	10 Pcs.	142.0008	1033
81	Contact tip holder M6; 29.0 mm (long)	10 Pcs.	142.0013	1033
82	Contact tip holder M8; 25.0 mm (short)	10 Pcs.	142.0022	1033
83	Contact tip holder M8; 29.0 mm (long)	10 Pcs.	142.0027	1033
Wear parts MB 501 / 501 D				
90	Contact tip M6 E-Cu; Ø 1.0 (8x28)	10 Pcs.	140.0242	1030
90	Contact tip M6 E-Cu; Ø 1.2 (8x28)	10 Pcs.	140.0379	1030
90	Contact tip M6 E-Cu; Ø 1.6 (8x28)	10 Pcs.	140.0555	1030
90	Contact tip M6 CuCrZr; Ø 1.0 (8x28)	10 Pcs.	140.0245	1031
90	Contact tip M6 CuCrZr; Ø 1.2 (8x28)	10 Pcs.	140.0382	1031
90	Contact tip M6 CuCrZr; Ø 1.6 (8x28)	10 Pcs.	140.0558	1031
90	Contact tip M6 E-Cu; Ø 1.0 for alu wire (8x28)	10 Pcs.	141.0006	1030
90	Contact tip M6 CuCrZr silver-plated; Ø 1.0 (8x28)	10 Pcs.	147.0245	1031
90	Contact tip M6 E-Cu; Ø 1.2 for alu wire (8x28)	10 Pcs.	141.0010	1030
90	Contact tip M6 CuCrZr silver-plated; Ø 1.2 (8x28)	10 Pcs.	147.0382	1031
90	Contact tip M6 E-Cu; Ø 1.6 for alu wire (8x28)	10 Pcs.	141.0020	1030
91	Contact tip M8 E-Cu; Ø 1.0 (10x30)	10 Pcs.	140.0313	1030
91	Contact tip M8 E-Cu; Ø 1.2 (10x30)	10 Pcs.	140.0442	1030
91	Contact tip M8 E-Cu; Ø 1.6 (10x30)	10 Pcs.	140.0587	1030
91	Contact tip M8 CuCrZr; Ø 1.0 (10x30)	10 Pcs.	140.0316	1031
91	Contact tip M8 CuCrZr; Ø 1.2 (10x30)	10 Pcs.	140.0445	1031
91	Contact tip M8 CuCrZr; Ø 1.6 (10x30)	10 Pcs.	140.0590	1031
91	Contact tip M8 CuCrZr silver-plated; Ø 1.0 (10x30)	10 Pcs.	147.0316	1031
91	Contact tip M8 CuCrZr silver-plated; Ø 1.2 (10x30)	10 Pcs.	147.0445	1031
91	Contact tip M8 CuCrZr silver-plated; Ø 1.6 (10x30)	10 Pcs.	147.0590	1031
91	Contact tip M8 E-Cu; Ø 1.0 for alu wire (10x30)	10 Pcs.	141.0008	1030
91	Contact tip M8 E-Cu; Ø 1.2 for alu wire (10x30)	10 Pcs.	141.0015	1030
91	Contact tip M8 E-Cu; Ø 1.6 for alu wire (10x30)	10 Pcs.	141.0022	1030
100	Gas nozzle, cylindrical; ND Ø 20.0	10 Pcs.	145.0051	1037
101	Gas nozzle, conical; ND Ø 16.0	10 Pcs.	145.0085	1037
102	Gas nozzle, tapered; ND Ø 14.0	10 Pcs.	145.0132	1037
105	Spot weld gas nozzle; ND Ø 20.0	10 Pcs.	145.0179	1037
106	Gas nozzle; heavy duty; ND Ø 16.0 (only use with nozzle insulator)	10 Pcs.	145.0086	1037
120	Guide spiral liner blank; 2.0/4.5; for wire Ø 1.0 - 1.2; for 3.00 m		122.0031	1034
120	Guide spiral liner blank; 2.0/4.5; for wire Ø 1.0 - 1.2; for 4.00 m		122.0036	1034
120	Guide spiral liner blank; 2.0/4.5; for wire Ø 1.0 - 1.2; for 5.00 m		122.0039	1034
120	Guide spiral liner blank; 2.5/4.5; for wire Ø 1.6; for 3.00 m		122.0056	1034
120	Guide spiral liner blank; 2.5/4.5; for wire Ø 1.6; for 4.00 m		122.0060	1034
120	Guide spiral liner blank; 2.5/4.5; for wire Ø 1.6; for 5.00 m		122.0063	1034
130	PTFE core liner 2.0/4.0; red; wire electrode Ø 1.0 - 1.2; for 3.00 m		126.0021	1034
130	PTFE core liner 2.0/4.0; red; wire electrode Ø 1.0 - 1.2; for 4.00 m		126.0026	1034
130	PTFE core liner 2.0/4.0; red; wire electrode Ø 1.0 - 1.2; for 5.00 m		126.0028	1034
130	PTFE core liner 2.7/4.7; yellow; wire electrode Ø 1.6; for 3.00 m		126.0039	1034
130	PTFE core liner 2.7/4.7; yellow; wire electrode Ø 1.6; for 4.00 m		126.0042	1034
130	PTFE core liner 2.7/4.7; yellow; wire electrode Ø 1.6; for 5.00 m		126.0045	1034
130	PTFE carbon core liner 2.0/4.0; wire electrode Ø 1.0 - 1.2; for 3.00 m		127.0005	1034
130	PTFE carbon core liner 2.0/4.0; wire electrode Ø 1.0 - 1.2; for 4.00 m		127.0007	1034
130	PTFE carbon core liner 2.0/4.0; wire electrode Ø 1.0 - 1.2; for 5.00 m		127.0008	1034
130	PTFE carbon core liner 2.7/4.7; wire electrode Ø 1.6; for 3.00 m		127.0010	1034
130	PTFE carbon core liner 2.7/4.7; wire electrode Ø 1.6; for 4.00 m		127.0012	1034

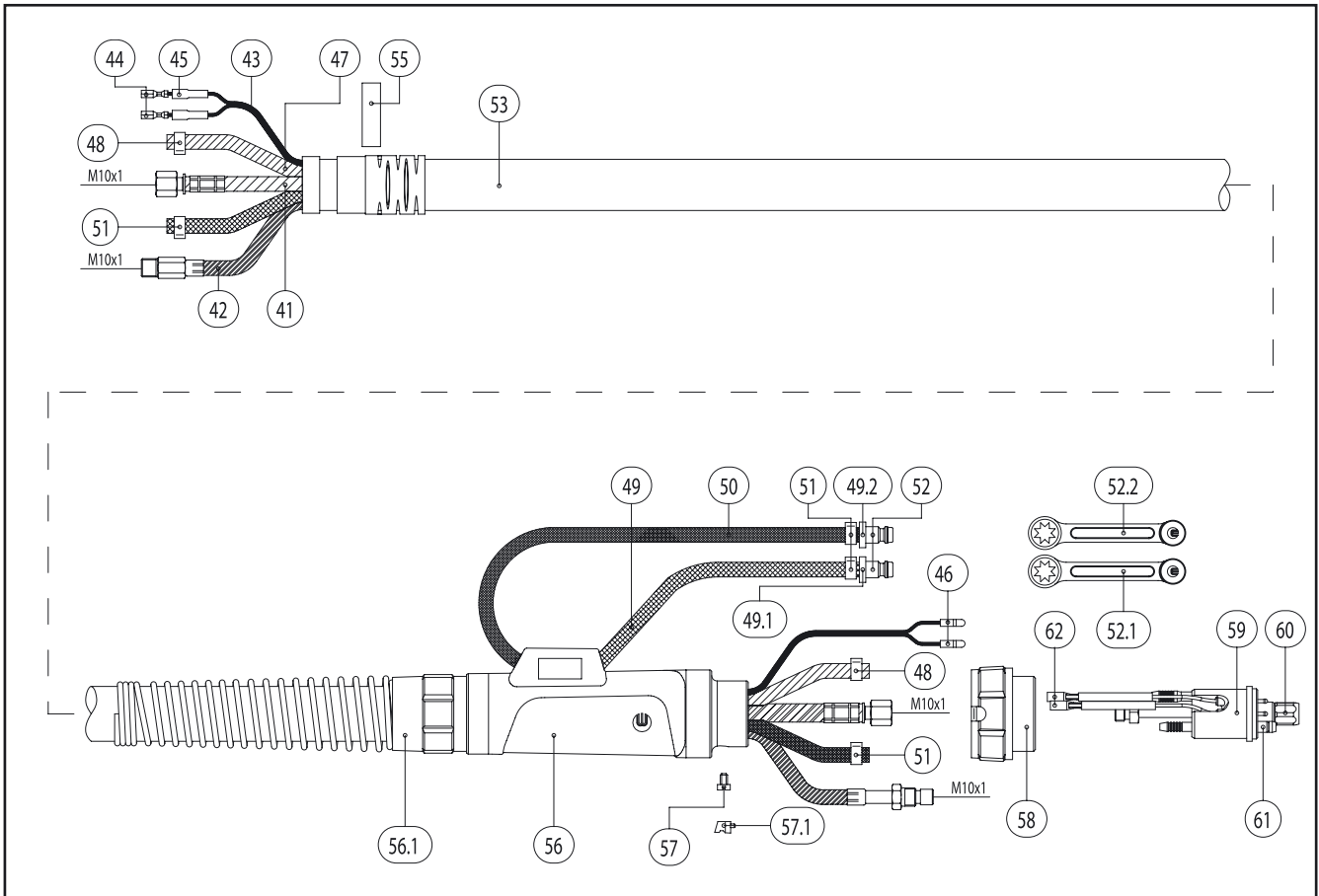


MIG/MAG Welding Torch MB 602



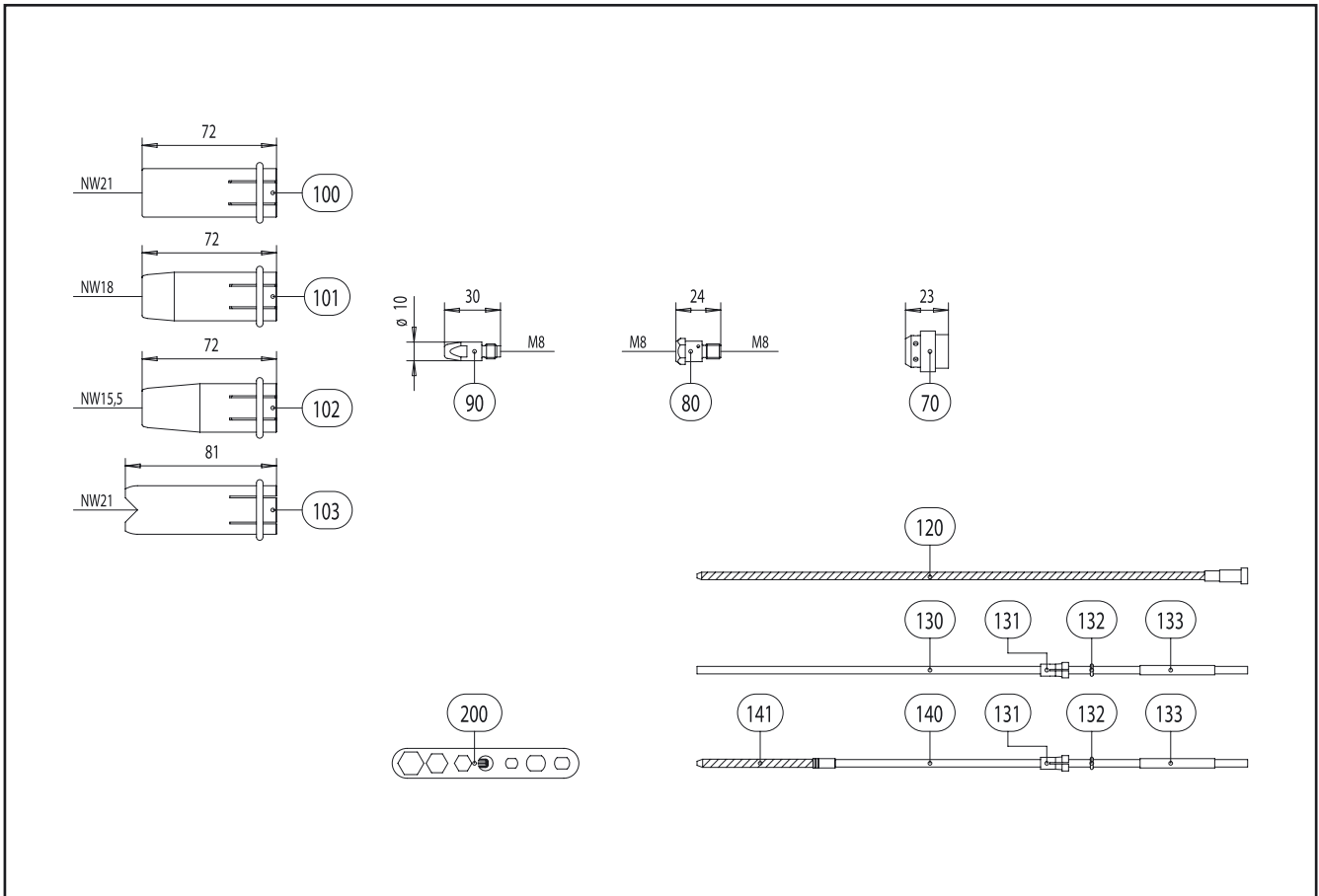
Pos.	Description	Units	Part-No.	Product-group
Torch				
	MB 602; industrial handle; central adaptor WZ-2; 3.00 m		039.0023	1002
	MB 602; industrial handle; central adaptor WZ-2; 4.00 m		039.0025	1002
	MB 602; industrial handle; central adaptor WZ-2; 5.00 m		039.0037	1002
	AUT 602; 0°; handle tube; central adaptor WZ-2; 3.00 m		939.0083	1003
	AUT 602; 45°; handle tube; central adaptor WZ-2; 3.00 m		939.0086	1003
Swan neck				
1	Swan neck MB 602; 50° bent		039.0001	1009
1.3	Swan neck AUT 602; straight		939.0064	1010
1.4	Swan neck AUT 602; 45° bent		939.0062	1010
5	Outer cover		024.0030	1095
Handle				
13	Industrial handle cpl.		180.0032	1095
16.1	Flat headed screw M4x12	20 Pcs.	000.0556	9010
16.2	Pan head screw M4x20	20 Pcs.	000.0558	9010
23	Trigger		400.0032	1095
24	Pressure spring	20 Pcs.	400.0056	1095
25	Pressure spring	20 Pcs.	400.0037	1095
26	Trigger blade center	20 Pcs.	400.0038	1095
28	Center blade screw	20 Pcs.	400.0036	1095
30	Trigger blade	20 Pcs.	400.0049	1095
Handle tube AUT				
38	Handle tube AUT		180.0097	1095
Cable assembly				
41	Power cable MB / RB (HDH) for 3.00 m		115.0404	1012
41	Power cable MB / RB (HDH) for 4.00 m		115.0405	1012
41	Power cable MB / RB (HDH) for 5.00 m		115.0406	1012
42	Wire conduit MB cpl. red (up to wire Ø 1.2) for 3.00 m		156.0040	1012

MIG/MAG Welding Torch MB 602



Pos.	Description	Units	Part-No.	Product-group
42	Wire conduit MB cpl. red (up to wire Ø 1.2) for 4.00 m		156.0042	1012
42	Wire conduit MB cpl. red (up to wire Ø 1.2) for 5.00 m		156.0045	1012
42	Wire conduit MB cpl. blue (wire Ø 1.6 onwards) for 3.00 m		155.0018	1012
42	Wire conduit MB cpl. blue (wire Ø 1.6 onwards) for 4.00 m		155.0020	1012
42	Wire conduit MB cpl. blue (wire Ø 1.6 onwards) for 5.00 m		155.0022	1012
43	Control cable 2-pole	200 m	100.0019	4050
44	Trigger wire connector	20 Pcs.	175.0022	9010
45	Insulating sleeve	20 Pcs.	400.0119	1095
46	Plug	20 Pcs.	175.0004	9010
47	Hose 30 black Ø 4.9x1.5	100 m	109.0040	4050
48	Hose clamp Ø 8.7 mm	20 Pcs.	171.0002	9010
49	Hose 42 HDH black; Ø 5.5x1.5	40 m	109.0052	4050
49.1	Code colour ring blue	20 Pcs.	501.2167	9010
49.2	Code colour ring red	20 Pcs.	501.2166	9010
50	Hose 46 black Ø 5.5x1.5 cpl. with plug nipple ND 5; 0.6 m		103.0108	1095
51	Hose clamp Ø 9.0 mm with ring (mark 9.5)	20 Pcs.	173.0001	9010
52	Plug nipple ND 5 mm / Ø 6.0 mm	20 Pcs.	501.0114	9010
52.1	Fastener cap red		501.2423	1095
52.2	Fastener cap blue		501.2424	1095
53	Outer cover with cable support Ø 25x1.5 for 3.00 m		107.0079	1095
53	Outer cover with cable support Ø 25x1.5 for 4.00 m		107.0044	1095
53	Outer cover with cable support Ø 25x1.5 for 5.00 m		107.0080	1095
w/o. fig.	Outer cover Ø 25x1.5	40 m	107.0004	4050
55	Ring		400.0097	1095
56	Cable support machine side big cpl. ND 31		500.0342	9010
56.1	Cable support spring		500.0233	9010
56.1	Biclip inside		400.0328	9010
56.1	Biclip outside		400.0329	9010

MIG/MAG Welding Torch MB 602

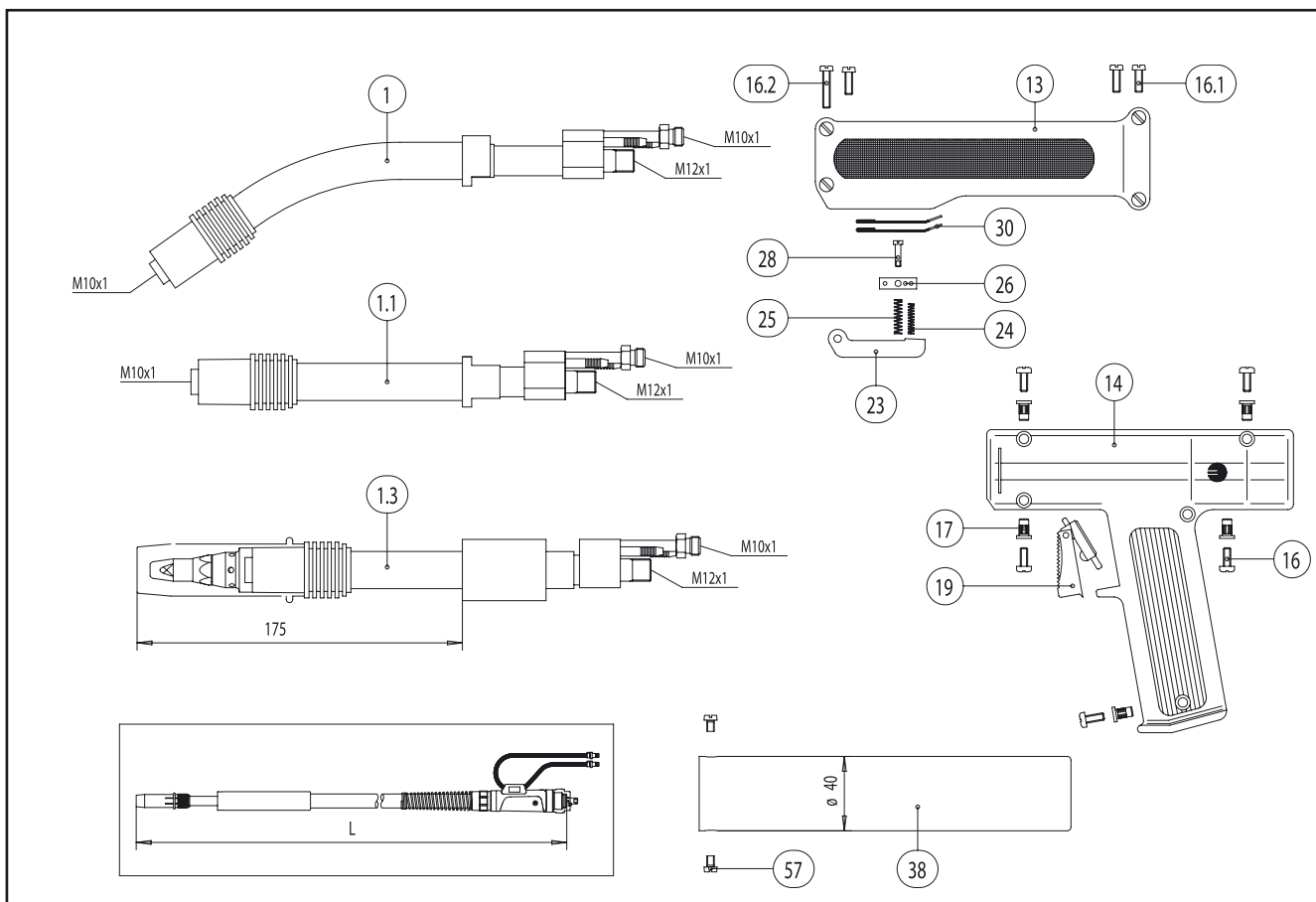


Pos.	Description	Units	Part-No.	Product-group
56.2	Cable support spring		500.0235	1095
56.3	Biclip Set 25/28		400.0332	9010
57	Pan head screw M4x6	20 Pcs.	000.0552	9010
57.1	Screw cap 1	20 Pcs.	500.0251	9010
58	Adaptor nut M33x2		500.0213	9010
59	Central adaptor WZ-2		501.0015	9010
59	Central adaptor WZ-2 without control leads		501.0034	9010
60	Coupling nut M10x1	10 Pcs.	501.0082	9010
61	O-Ring 4x1	20 Pcs.	165.0002	9010
62	Trigger wire connector; female	20 Pcs.	175.0003	9010
	Wear parts			
70	Gas diffuser	10 Pcs.	039.0008	1032
70	Gas diffuser, ceramic	10 Pcs.	039.0090	1032
80	Contact tip holder M8; 24.0 mm	10 Pcs.	142.0023	1033
90	Contact tip M8 E-Cu; Ø 1.0 (10x30)	10 Pcs.	140.0313	1030
90	Contact tip M8 E-Cu; Ø 1.2 (10x30)	10 Pcs.	140.0442	1030
90	Contact tip M8 E-Cu; Ø 1.6 (10x30)	10 Pcs.	140.0587	1030
90	Contact tip M8 E-Cu; Ø 2.0 (10x30)	10 Pcs.	140.0653	1030
90	Contact tip M8 E-Cu; Ø 2.4 (10x30)	10 Pcs.	140.0677	1030
90	Contact tip M8 CuCrZr; Ø 1.0 (10x30)	10 Pcs.	140.0316	1031
90	Contact tip M8 CuCrZr; Ø 1.2 (10x30)	10 Pcs.	140.0445	1031
90	Contact tip M8 CuCrZr; Ø 1.6 (10x30)	10 Pcs.	140.0590	1031
90	Contact tip M8 CuCrZr; Ø 2.0 (10x30)	10 Pcs.	140.0656	1031
90	Contact tip M8 CuCrZr; Ø 2.4 (10x30)	10 Pcs.	140.0679	1031
90	Contact tip M8 E-Cu; Ø 1.0 for alu wire (10x30)	10 Pcs.	141.0008	1030
90	Contact tip M8 E-Cu; Ø 1.2 for alu wire (10x30)	10 Pcs.	141.0015	1030
90	Contact tip M8 E-Cu; Ø 1.6 for alu wire (10x30)	10 Pcs.	141.0022	1030
90	Contact tip M8 CuCrZr silver-plated; Ø 1.0 (10x30)	10 Pcs.	147.0316	1031

MIG/MAG Welding Torch MB 602

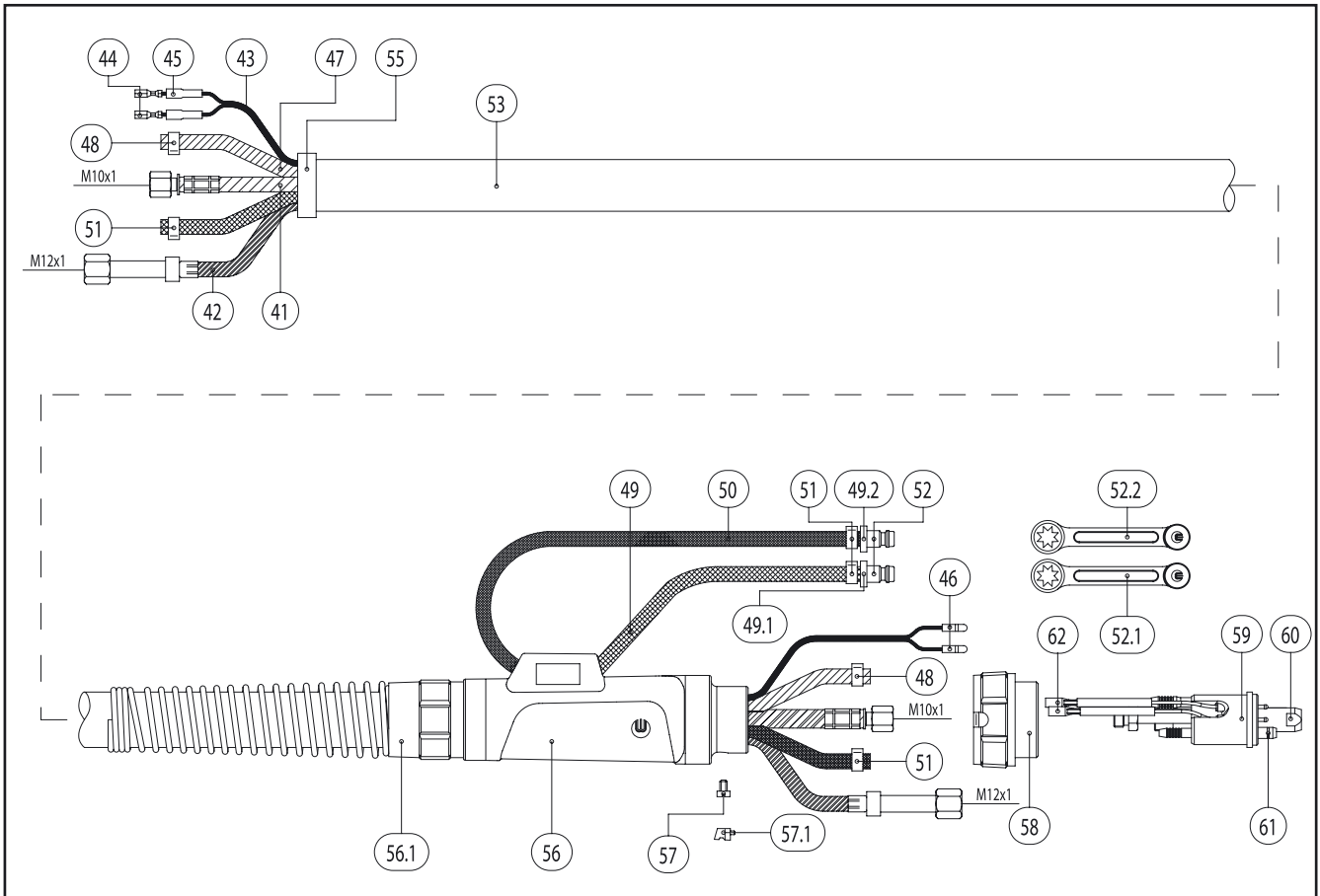
Pos.	Description	Units	Part-No.	Product-group
90	Contact tip M8 CuCrZr silver-plated; Ø 1.2 (10x30)	10 Pcs.	147.0445	1031
90	Contact tip M8 CuCrZr silver-plated; Ø 1.6 (10x30)	10 Pcs.	147.0590	1031
100	Gas nozzle; cylindrical; ND Ø 21.0	10 Pcs.	145.0052	1037
101	Gas nozzle; conical; ND Ø 18.0	10 Pcs.	145.0088	1037
102	Gas nozzle; tapered; ND Ø 15.5	10 Pcs.	145.0133	1037
103	Spot weld gas nozzle; ND Ø 21.0	10 Pcs.	145.0180	1037
120	Guide spiral liner blank; 2.0/4.5; for wire Ø 1.0 - 1.2; for 3.00 m		122.0031	1034
120	Guide spiral liner blank; 2.0/4.5; for wire Ø 1.0 - 1.2; for 4.00 m		122.0036	1034
120	Guide spiral liner blank; 2.0/4.5; for wire Ø 1.0 - 1.2; for 5.00 m		122.0039	1034
120	Guide spiral liner blank; 2.5/4.5; for wire Ø 1.6; for 3.00 m		122.0056	1034
120	Guide spiral liner blank; 2.5/4.5; for wire Ø 1.6; for 4.00 m		122.0060	1034
120	Guide spiral liner blank; 2.5/4.5; for wire Ø 1.6; for 5.00 m		122.0063	1034
120	Guide spiral liner blank 3.5/4.9; for wire Ø 2.0 - 2.4; for 3.00 m		122.0073	1034
120	Guide spiral liner blank 3.5/4.9; for wire Ø 2.0 - 2.4; for 4.00 m		122.0075	1034
120	Guide spiral liner blank 3.5/4.9; for wire Ø 2.0 - 2.4; for 5.00 m		122.0076	1034
130	PTFE core liner 2.0/4.0; red; wire electrode Ø 1.0 - 1.2; for 3.00 m		126.0021	1034
130	PTFE core liner 2.0/4.0; red; wire electrode Ø 1.0 - 1.2; for 4.00 m		126.0026	1034
130	PTFE core liner 2.0/4.0; red; wire electrode Ø 1.0 - 1.2; for 5.00 m		126.0028	1034
130	PTFE core liner 2.7/4.7; yellow; wire electrode Ø 1.6; for 3.00 m		126.0039	1034
130	PTFE core liner 2.7/4.7; yellow; wire electrode Ø 1.6; for 4.00 m		126.0042	1034
130	PTFE core liner 2.7/4.7; yellow; wire electrode Ø 1.6; for 5.00 m		126.0045	1034
130	PTFE carbon core liner 2.0/4.0; wire electrode Ø 1.0 - 1.2; for 3.00 m		127.0005	1034
130	PTFE carbon core liner 2.0/4.0; wire electrode Ø 1.0 - 1.2; for 4.00 m		127.0007	1034
130	PTFE carbon core liner 2.0/4.0; wire electrode Ø 1.0 - 1.2; for 5.00 m		127.0008	1034
130	PTFE carbon core liner 2.7/4.7; wire electrode Ø 1.6; for 3.00 m		127.0010	1034
130	PTFE carbon core liner 2.7/4.7; wire electrode Ø 1.6; for 4.00 m		127.0012	1034
130	PTFE carbon core liner 2.7/4.7; wire electrode Ø 1.6; for 5.00 m		127.0013	1034
131	Nipple for core liner at Ø 4.0	20 Pcs.	131.0001	1095
131	Nipple for core liner at Ø 4.7	20 Pcs.	131.0002	1095
132	O-Ring 3.5x1.5	20 Pcs.	165.0008	9010
133	Guide tube for core liners up to Ø 4.0 (200 mm)		129.0461	1095
140	Combined wire guide cpl. polyamide/brass; 2.0/4.0; wire Ø 1.0 - 1.2; for 3.00 m		128.M002	1034
140	Combined wire guide cpl. polyamide/brass; 2.0/4.0; wire Ø 1.0 - 1.2; for 4.00 m		128.M003	1034
140	Combined wire guide cpl. polyamide/brass; 2.0/4.0; wire Ø 1.0 - 1.2; for 5.00 m		128.M004	1034
141	Brass spiral made up with sleeve (200 mm)		001.0305	1095
200	Spanner		191.0001	9010

MIG/MAG Welding Torch RB 610 D



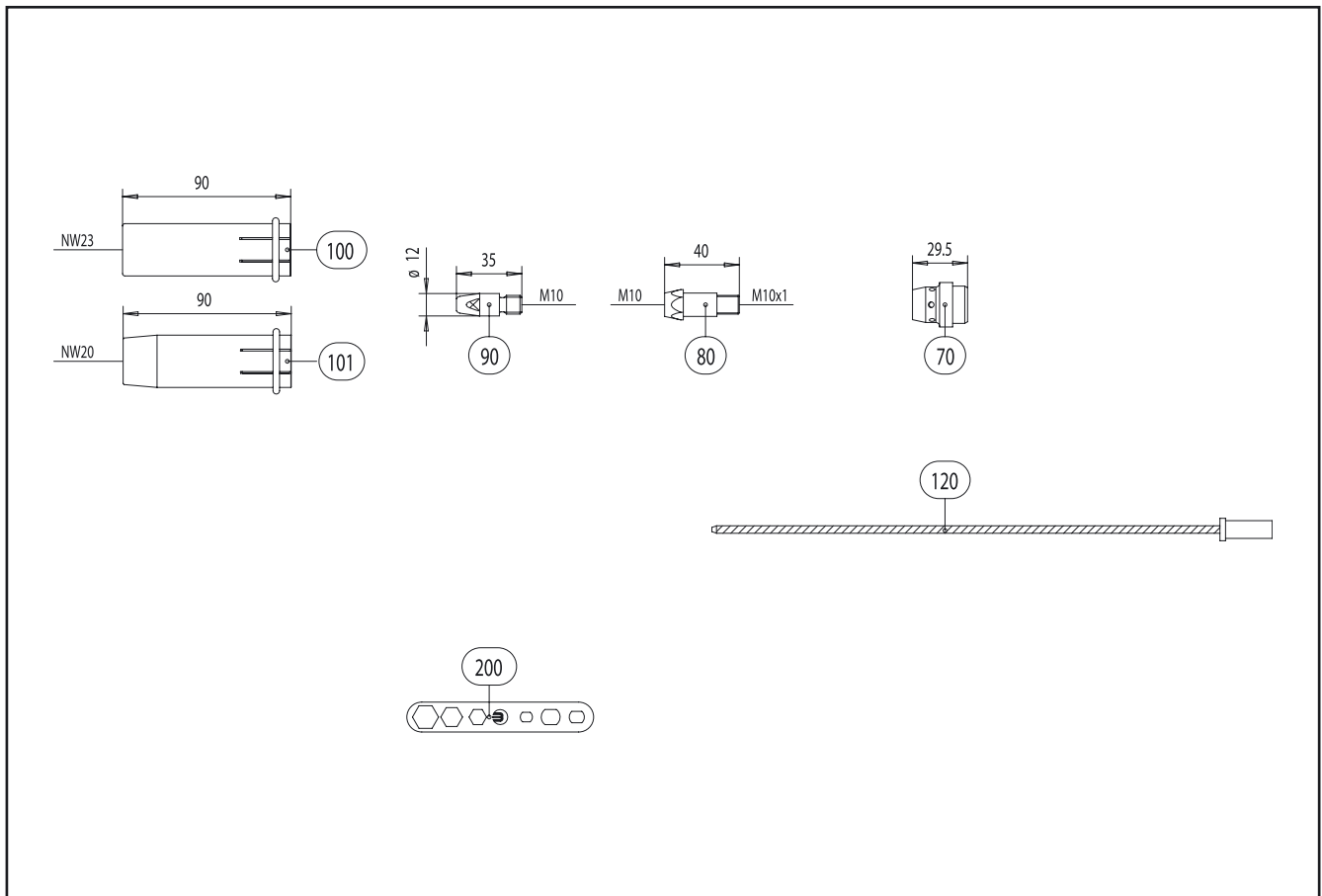
Pos.	Description	Units	Part-No.	Product-group
Torch				
	RB 610 D; industrial handle; central adaptor RWZ-2; 3.00 m		035.0037	1002
	RB 610 D; industrial handle; central adaptor RWZ-2; 4.00 m		035.0025	1002
	RP 610 D; handle pistole-type; central adaptor RWZ-2; 3.00 m		035.0032	1003
	RP 610 D; handle pistole-type; central adaptor RWZ-2; 4.00 m		035.0034	1003
	AUT 610 D; 0°; handle tube; central adaptor RWZ-2; 3.00 m		935.0010	1003
Swan neck				
1	Swan neck RB 610 D; 35° bent		035.0001	1009
1.1	Swan neck RB 610 D; straight		035.0002	1009
1.3	Swan neck AUT 610 D; straight		935.0001	1010
Handle				
13	Industrial handle blue cpl.		180.0029	1095
14	Handle pistol-type		180.0024	1095
16	Cylinder head srew 4x10	20 Pcs.	400.0792	1095
16.1	Flat headed screw M4x12	20 Pcs.	000.0556	9010
16.2	Pan head screw M4x20	20 Pcs.	000.0558	9010
17	Insert bush M4	10 Pcs.	400.0095	1095
19	Trigger 2-pole		185.0005	9010
23	Trigger		400.0032	1095
24	Pressure spring	20 Pcs.	400.0056	1095
25	Pressure spring	20 Pcs.	400.0037	1095
26	Trigger blade center	20 Pcs.	400.0038	1095
28	Center blade screw	20 Pcs.	400.0036	1095
30	Trigger blade	20 Pcs.	400.0049	1095
Handle tube AUT				
38	Handle tube AUT		180.0014	1095
Cable assembly				
41	Power cable MB / RB (HDH) for 3.00 m		115.0404	1012

MIG/MAG Welding Torch RB 610 D



Pos.	Description	Units	Part-No.	Product-group
41	Power cable MB / RB (HDH) for 4.00 m		115.0405	1012
42	Wire conduit RB cpl. black for 3.00 m		151.0010	1012
42	Wire conduit RB cpl. black for 4.00 m		151.0011	1012
43	Control cable 2-pole	200 m	100.0019	4050
44	Trigger wire connector	20 Pcs.	175.0022	9010
45	Insulating sleeve	20 Pcs.	400.0119	1095
46	Plug	20 Pcs.	175.0004	9010
47	Hose 30 black Ø 4.9x1.5	100 m	109.0040	4050
48	Hose clamp Ø 8.7 mm	20 Pcs.	171.0002	9010
49	Hose 42 HDH black; Ø 5.5x1.5	40 m	109.0052	4050
49.1	Code colour ring blue	20 Pcs.	501.2167	9010
49.2	Code colour ring red	20 Pcs.	501.2166	9010
50	Hose 46 black Ø 5.5x1.5 cpl. with plug nipple ND 5; 0.6 m		103.0108	1095
51	Hose clamp Ø 9.0 mm with ring (mark 9.5)	20 Pcs.	173.0001	9010
52	Plug nipple ND 5 mm / Ø 6.0 mm	20 Pcs.	501.0114	9010
52.1	Fastener cap red		501.2423	1095
52.2	Fastener cap blue		501.2424	1095
53	Outer cover Ø 28x1.5	40 m	107.0055	4050
55	Ring		400.0097	1095
56	Cable support machine side big cpl. ND 31		500.0342	9010
56.1	Cable support spring big ND 31		500.0274	9010
57	Pan head screw M4x6	20 Pcs.	000.0552	9010
57.1	Screw cap 1	20 Pcs.	500.0251	9010
58	Adaptor nut M33x2		500.0213	9010
59	Central adaptor RWZ-2		501.0077	1095
59	Central adaptor RWZ-2 without control leads		501.0078	9010
60	Liner positioner nut M14x1	10 Pcs.	501.0129	9010
61	O-Ring 4x1	20 Pcs.	165.0002	9010

MIG/MAG Welding Torch RB 610 D



Pos.	Description	Units	Part-No.	Product-group
62	Trigger wire connector; female	20 Pcs.	175.0003	9010
	Wear parts			
70	Gas diffuser	10 Pcs.	013.0030	1032
70	Gas diffuser, ceramic	10 Pcs.	013.0097	1032
80	Contact tip holder M10; 40.0 mm	10 Pcs.	142.0032	1033
90	Contact tip M10 CuCrZr; Ø 1.6 (12x35)	10 Pcs.	140.0616	1031
90	Contact tip M10 CuCrZr; Ø 2.0 (12x35)	10 Pcs.	140.0665	1031
90	Contact tip M10 CuCrZr; Ø 2.4 (12x35)	10 Pcs.	140.0698	1031
90	Contact tip M10 CuCrZr; Ø 2.8 (12x35)	10 Pcs.	140.0712	1031
90	Contact tip M10 CuCrZr; Ø 3.2 (12x35)	10 Pcs.	140.0734	1031
90	Contact tip M10 CuCrZr silver-plated; Ø 1.6 (12x35)	10 Pcs.	147.0616	1031
100	Gas nozzle; cylindrical; ND Ø 23.0	10 Pcs.	145.0048	1037
101	Gas nozzle; conical; ND Ø 20.0	10 Pcs.	145.0081	1037
120	Guide spiral liner blank; Ø 2.8/6.3 mm; for 3.00 m		122.0066	1034
120	Guide spiral liner blank; Ø 2.8/6.3 mm; for 4.00 m		122.0067	1034
120	Guide spiral liner blank; Ø 3.5/7.0 mm; for 3.00 m		122.0079	1034
120	Guide spiral liner blank; Ø 3.5/7.0 mm; for 4.00 m		122.0080	1034
120	Guide spiral liner blank; Ø 4.5/7.0 mm; for 3.00 m		122.0083	1034
120	Guide spiral liner blank; Ø 4.5/7.0 mm; for 4.00 m		122.0084	1034
200	Spanner		191.0001	9010

MIG/MAG Welding Torches

ABIMIG® GRIP A

air cooled

„The perfect combination of high performance and featherly weight“

The MIG/MAG Welding Torches ABIMIG® GRIP A air cooled with the innovative 2 component handle system "GRIP", combine ergonomics and feel with all common module variations (for switch and control functions) as well as "switch on top" solutions. "GRIP" insert and ball joint in the handle guarantee secure grip and optimal handling.

The torches of the ABIMIG® GRIP A series utilize the newly developed Low Weight Bikox®, which gives perfect balance to these weight reduced torches for effortless welding in all positions.

- Low Weight Bikox® - up to 50% weight saving
- Ergonomic short handle with "GRIP" soft components on the handle, thumb rest and ball joint - guarantees optimal handling in all positions
- Screw-on gas nozzle with thermoprotective insulation - extending life time
- Function integrated tip holder (gas diffuser, gas nozzle holder and contact tip holder in one piece) - reduces stock requirements
- Laminar gas feed - excellent gas coverage for best welding results
- Changeable gas nozzle seat - "extends" operating cycle of the torch neck and reduces maintenance costs
- Electrically insulated liner and connection nut (on the central adaptor) enables exact setting of the arc parameters and therefore repeatability of welding results

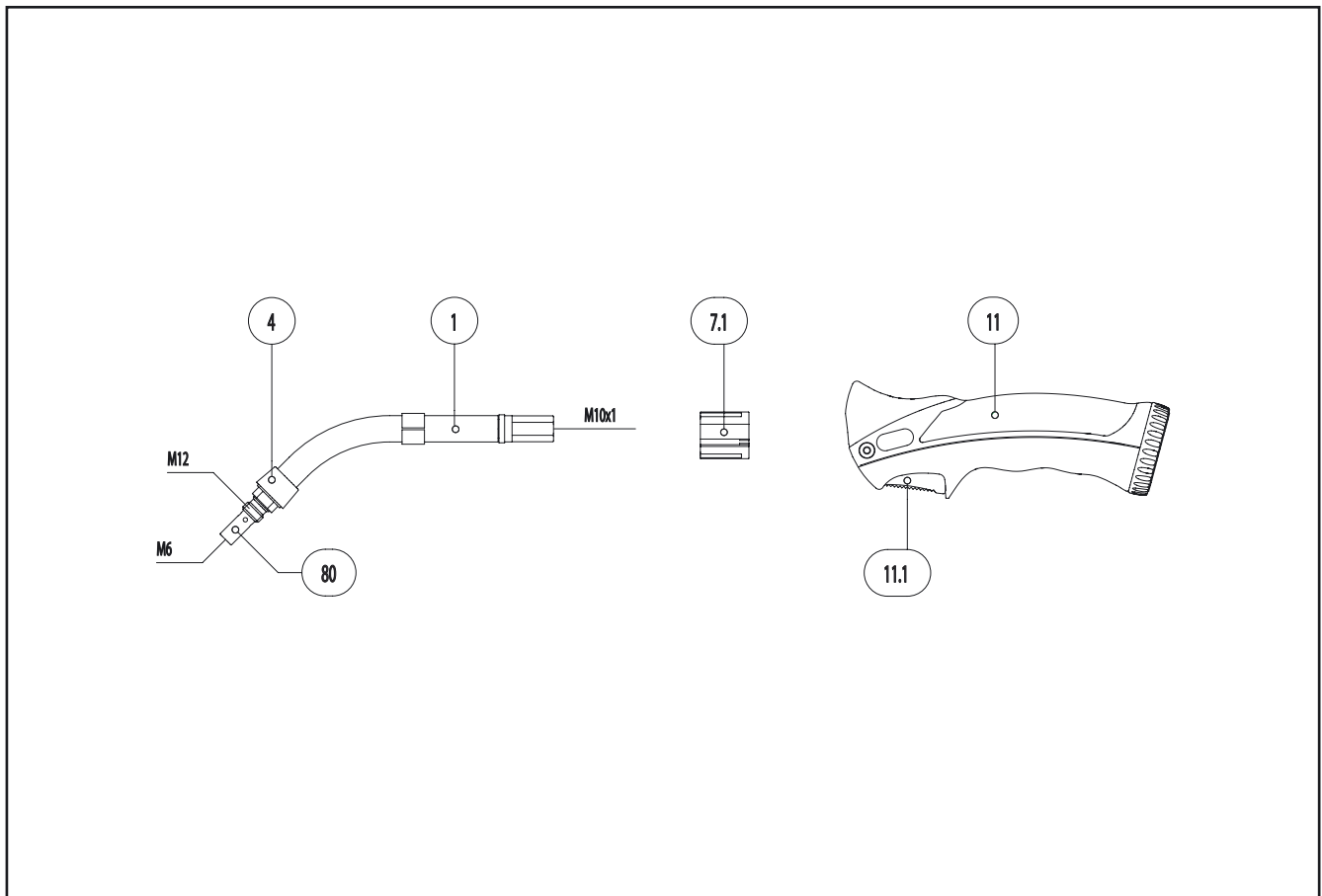
Technical data
(EN 60 974-7)

MIG/MAG Welding Torches "ABIMIG® GRIP A" (air cooled)

Type	Rating (A)		Duty cycle (%)	Wire size (mm)
	CO ₂	Mixed Gases M21		
ABIMIG® GRIP A 155 LW	190	170	60	0.6 - 1.0
ABIMIG® GRIP A 255 LW	240	210	60	0.8 - 1.2
ABIMIG® GRIP A 305 LW	270	240	60	0.8 - 1.2
ABIMIG® GRIP A 355 LW	300	270	60	1.0 - 1.6
ABIMIG® GRIP A 405 LW	370	300	60	1.0 - 1.6

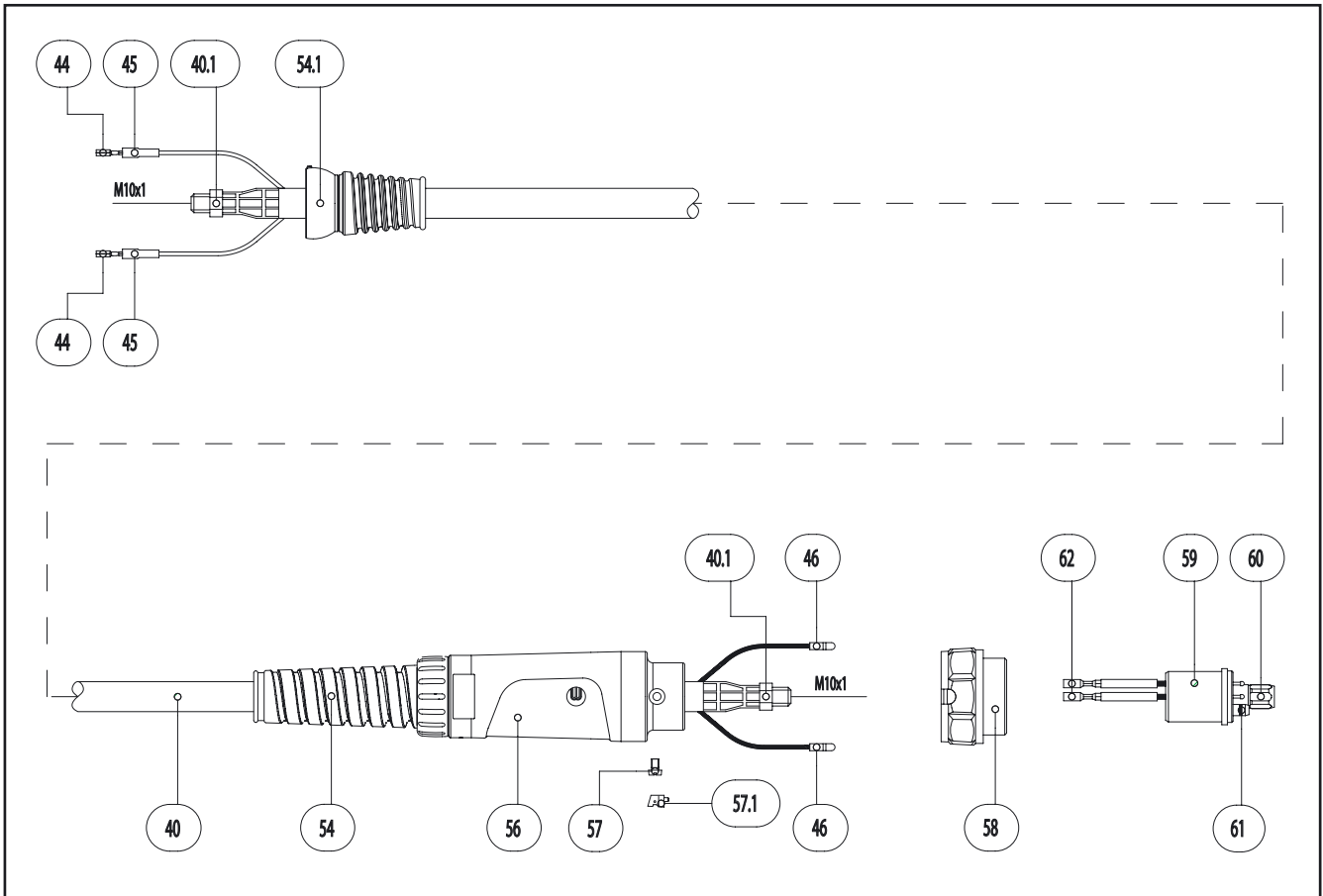
Subject to change without notice.

MIG/MAG Welding Torch ABIMIG® GRIP A 155 LW



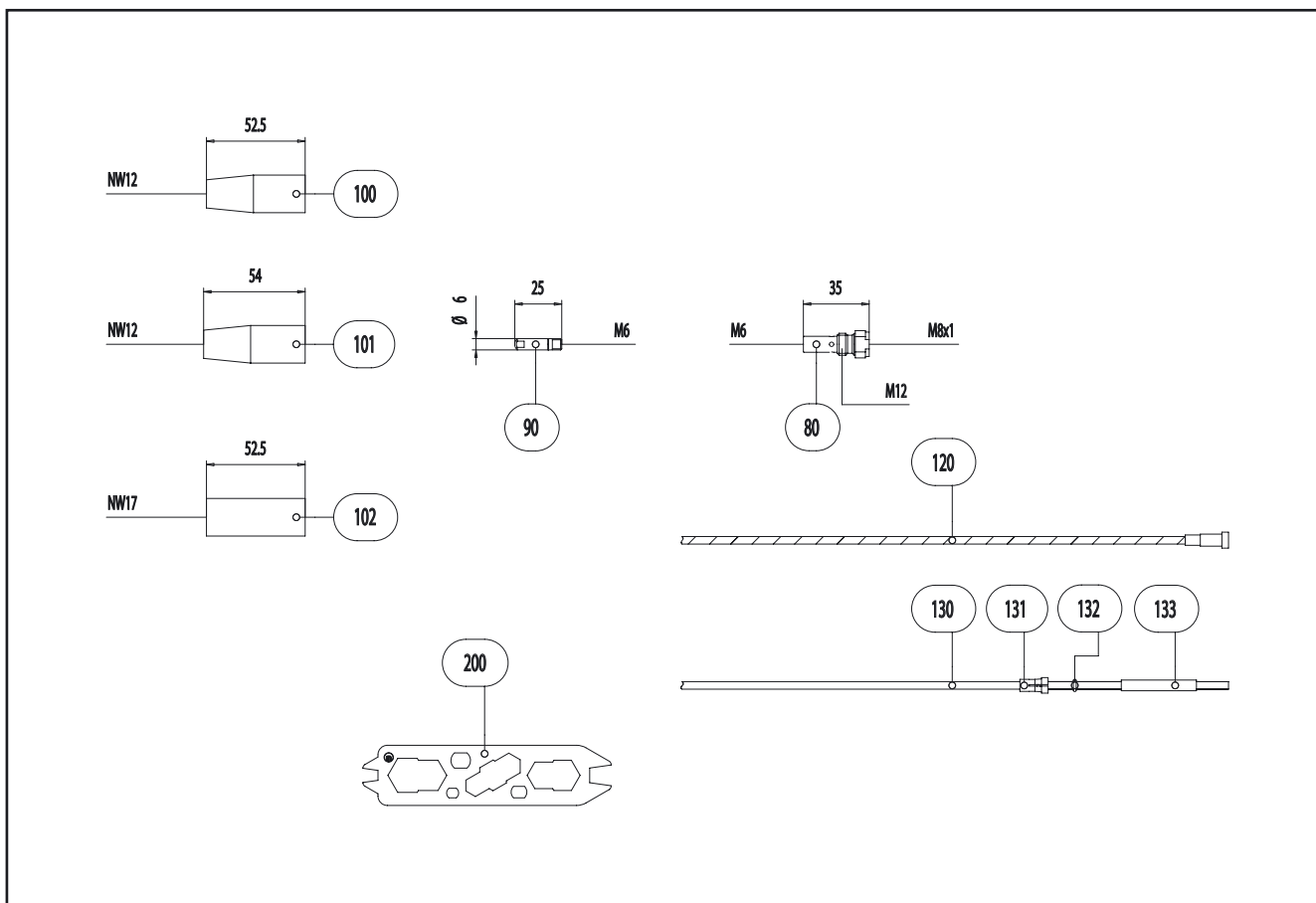
Pos.	Description	Units	Part-No.	Product-group
Torch				
	ABIMIG® GRIP A 155 LW; central adaptor KZ-2; 3.00 m		767.D600.1	1303
	ABIMIG® GRIP A 155 LW; central adaptor KZ-2; 4.00 m		767.D601.1	1303
	ABIMIG® GRIP A 155 LW; central adaptor KZ-2; 5.00 m		767.D602.1	1303
Swan neck				
1	Swan neck ABIMIG® GRIP A 155; 45° bent		767.D603.1	1307
4	Spacer	5 Pcs.	767.D607.5	1595
7.1	Torch body plastic GRIP		400.0044	1095
Handle GRIP				
11	Handle GRIP with trigger cpl.		180.0127	1095
11.1	Trigger 2-pole GRIP		185.0101	9010
Cable assembly				
40	Bikox® LW-power cable, R4 for 3.00 m		160.H025.1	1511
40	Bikox® LW-power cable, R4 for 4.00 m		160.H026.1	1511
40	Bikox® LW-power cable, R4 for 5.00 m		160.H027.1	1511
40.1	Hexagon nut M10x1	10 Pcs.	001.0009	9010
44	Trigger wire connector	20 Pcs.	175.0022	9010
45	Insulating sleeve	20 Pcs.	400.0119	1095
46	Plug	20 Pcs.	175.0004	9010
54	Cable support ND 19		400.1010	1095
54.1	Ball joint cable support short for ABIMIG® GRIP A		400.1323.1	1595
56	Cable support machine side		501.2248	9010
57	Pan head screw M4x6	20 Pcs.	000.0552	9010
57.1	Screw cap 1	20 Pcs.	500.0251	9010
58	Adaptor nut M33x2		500.0213	9010
59	Central adaptor KZ-2		501.0003	1095
60	Coupling nut M10x1, plastic	5 Pcs.	501.D536.5	1595
61	O-Ring 4x1	20 Pcs.	165.0002	9010

MIG/MAG Welding Torch ABIMIG® GRIP A 155 LW

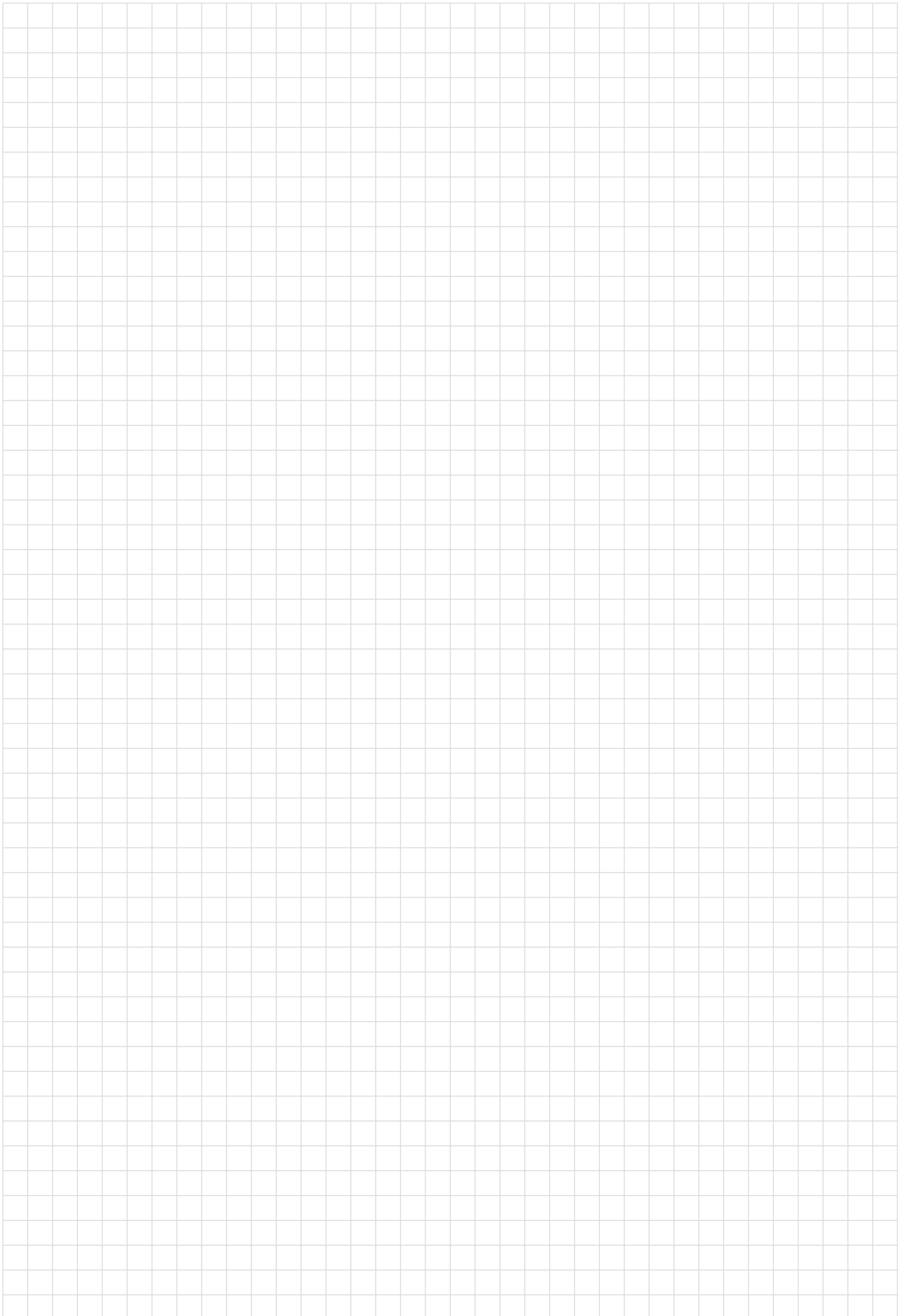


Pos.	Description	Units	Part-No.	Product-group
62	Trigger wire connector; female	20 Pcs.	175.0003	9010
Wear parts				
80	Contact tip holder M12/M6/35 US	5 Pcs.	006.D719.5	1595
90	Contact tip M6 E-Cu; Ø 0.6 (6x25)	10 Pcs.	140.0008	1030
90	Contact tip M6 E-Cu; Ø 0.8 (6x25)	10 Pcs.	140.0059	1030
90	Contact tip M6 E-Cu; Ø 1.0 (6x25)	10 Pcs.	140.0253	1030
90	Contact tip M6 CuCrZr; Ø 0.6 (6x25)	10 Pcs.	140.0855	1031
90	Contact tip M6 CuCrZr; Ø 0.8 (6x25)	10 Pcs.	140.0062	1031
90	Contact tip M6 CuCrZr; Ø 1.0 (6x25)	10 Pcs.	140.0256	1031
90	Contact tip M6 E-Cu; Ø 0.8 for alu wire (6x25)	10 Pcs.	141.0002	1030
90	Contact tip M6 E-Cu; Ø 1.0 for alu wire (6x25)	10 Pcs.	141.0007	1030
90	Contact tip M6 CuCrZr silver-plated; Ø 0.8 (6x25)	10 Pcs.	147.0062	1031
90	Contact tip M6 CuCrZr silver-plated; Ø 1.0 (6x25)	10 Pcs.	147.0256	1031
100	Gas nozzle M12; ND 12 galvanized	5 Pcs.	145.D001	1536
101	Gas nozzle M12; ND 12 galvanized; long	5 Pcs.	145.D004	1336
102	Gas nozzle M12; ND 17 galvanized; cylindrical	5 Pcs.	145.D003	1336
120	Guide spiral liner insulated; 1.5/4.5; blue; for wire Ø 0.6 - 0.8; for 3.00 m		124.0011	1034
120	Guide spiral liner insulated; 1.5/4.5; blue; for wire Ø 0.6 - 0.8; for 4.00 m		124.0012	1034
120	Guide spiral liner insulated; 1.5/4.5; blue; for wire Ø 0.6 - 0.8; for 5.00 m		124.0015	1034
120	Guide spiral liner insulated; 2.0/4.5; red; for wire Ø 1.0 - 1.2; for 3.00 m		124.0026	1034
120	Guide spiral liner insulated; 2.0/4.5; red; for wire Ø 1.0 - 1.2; for 4.00 m		124.0031	1034
120	Guide spiral liner insulated; 2.0/4.5; red; for wire Ø 1.0 - 1.2; for 5.00 m		124.0035	1034
130	PTFE core liner 1.5/4.0; blue; wire electrode Ø 0.8 - 1.0; for 3.00 m		126.0005	1034
130	PTFE core liner 1.5/4.0; blue; wire electrode Ø 0.8 - 1.0; for 4.00 m		126.0008	1034
130	PTFE core liner 1.5/4.0; blue; wire electrode Ø 0.8 - 1.0; for 5.00 m		126.0011	1034
130	PTFE core liner 2.0/4.0; red; wire electrode Ø 1.0 - 1.2; for 3.00 m		126.0021	1034
130	PTFE core liner 2.0/4.0; red; wire electrode Ø 1.0 - 1.2; for 4.00 m		126.0026	1034
130	PTFE core liner 2.0/4.0; red; wire electrode Ø 1.0 - 1.2; for 5.00 m		126.0028	1034

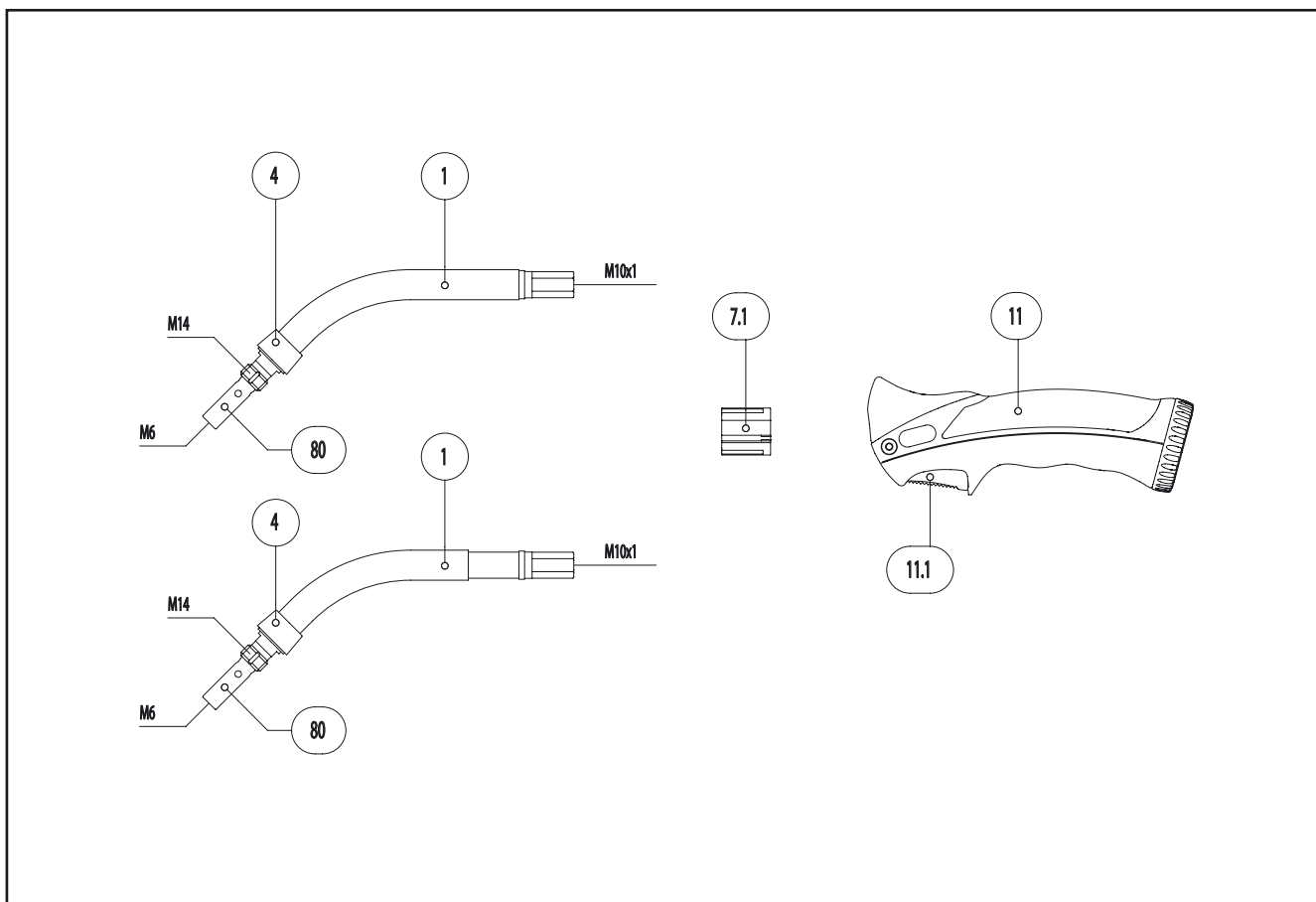
MIG/MAG Welding Torch ABIMIG® GRIP A 155 LW



Pos.	Description	Units	Part-No.	Product-group
130	PTFE carbon core liner 1.5/4.0; wire electrode Ø 0.8 - 1.0; for 3.00 m		127.0002	1034
130	PTFE carbon core liner 1.5/4.0; wire electrode Ø 0.8 - 1.0; for 4.00 m		127.0003	1034
130	PTFE carbon core liner 1.5/4.0; wire electrode Ø 0.8 - 1.0; for 5.00 m		127.0004	1034
130	PTFE carbon core liner 2.0/4.0; wire electrode Ø 1.0 - 1.2; for 3.00 m		127.0005	1034
130	PTFE carbon core liner 2.0/4.0; wire electrode Ø 1.0 - 1.2; for 4.00 m		127.0007	1034
130	PTFE carbon core liner 2.0/4.0; wire electrode Ø 1.0 - 1.2; for 5.00 m		127.0008	1034
131	Nipple for core liner at Ø 4.0	20 Pcs.	131.0001	1095
132	O-Ring 3.5x1.5	20 Pcs.	165.0008	9010
133	Guide tube for core liners up to Ø 4.0 (200 mm)		129.0461	1095
200	Spanner for ABIMIG®		191.D045	1595

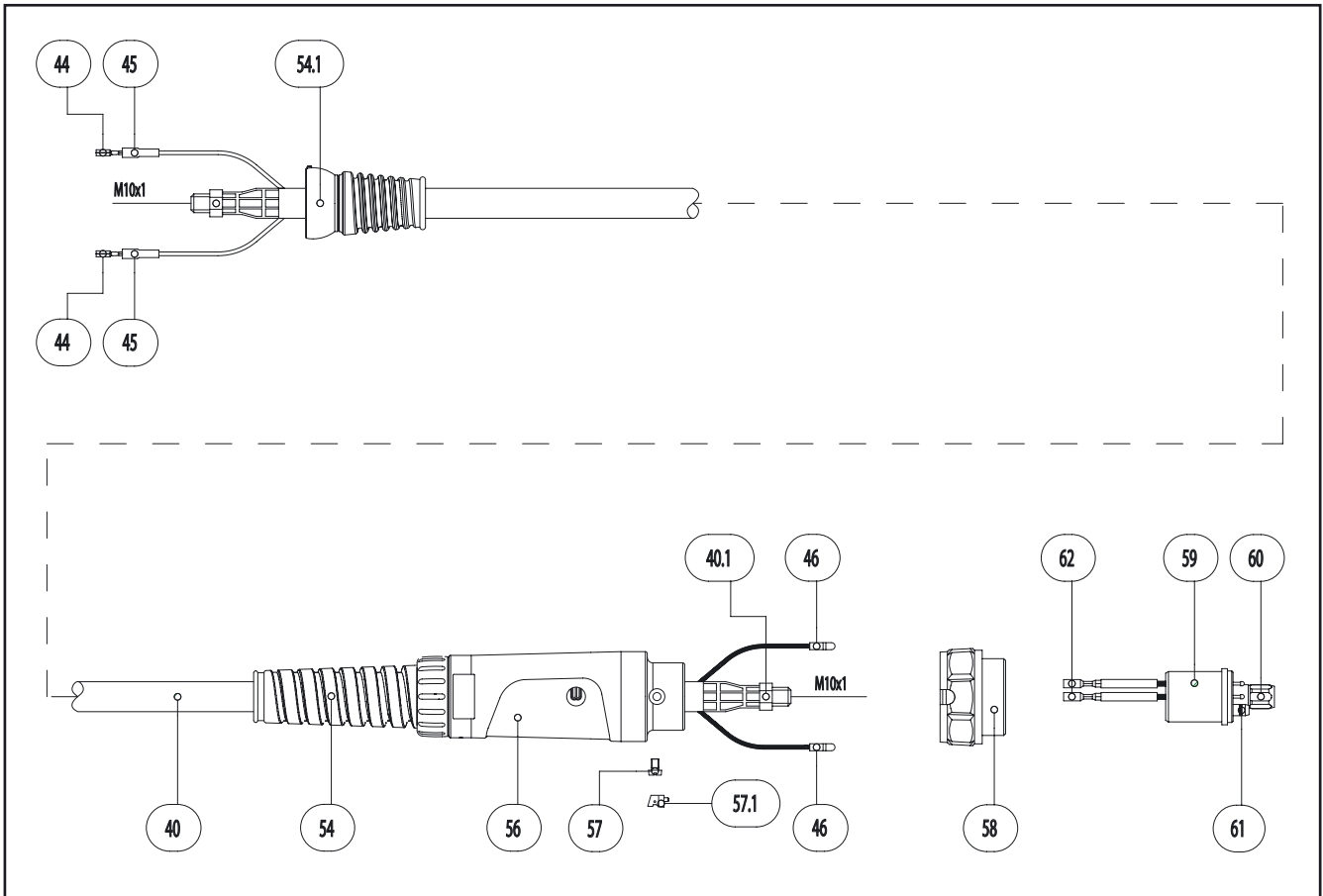


MIG/MAG Welding Torch ABIMIG® GRIP A 255 LW



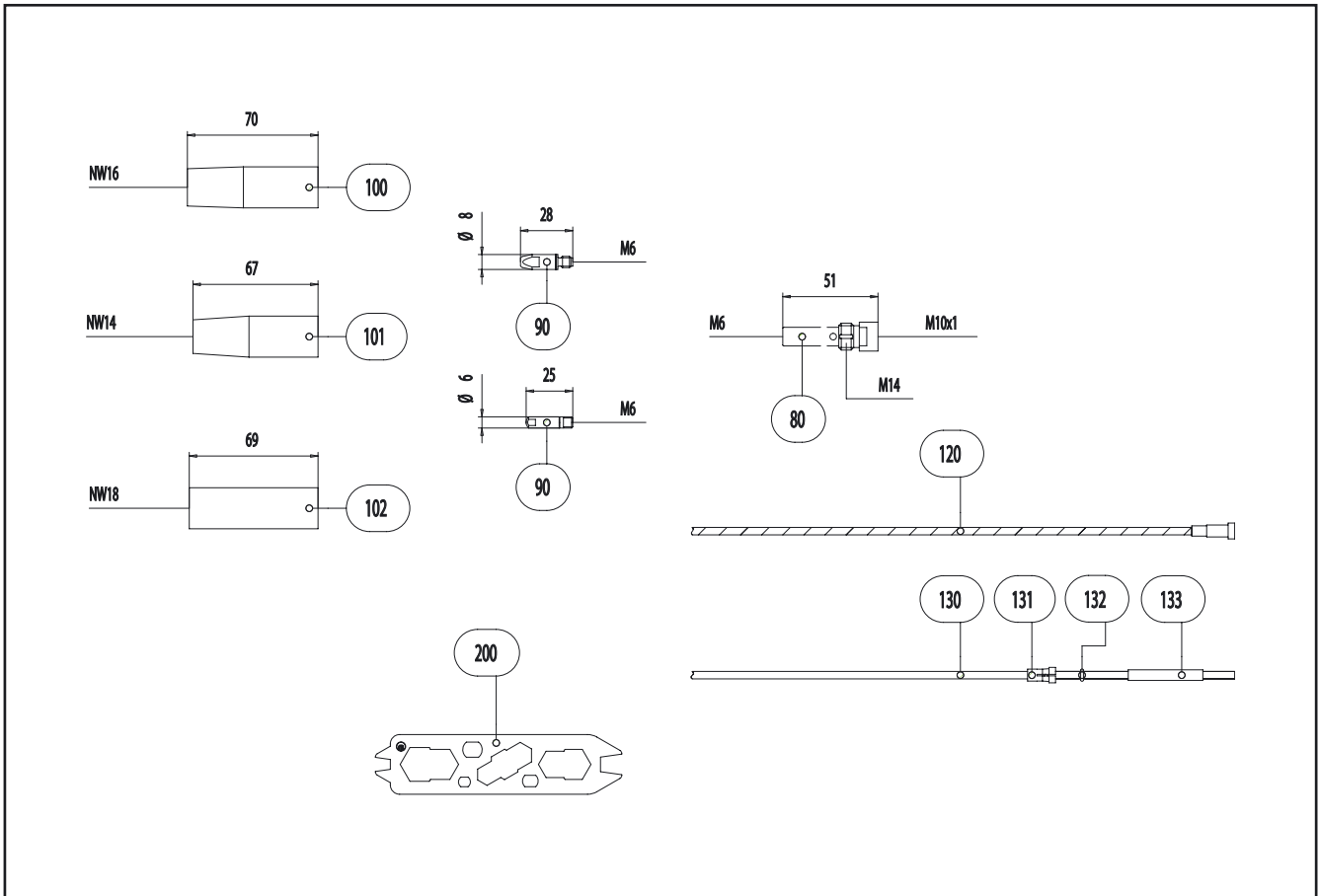
Pos.	Description	Units	Part-No.	Product-group
Torch				
	ABIMIG® GRIP A 255 LW; central adaptor KZ-2; 3.00 m		767.D630.1	1303
	ABIMIG® GRIP A 255 LW; central adaptor KZ-2; 4.00 m		767.D631.1	1303
	ABIMIG® GRIP A 255 LW; central adaptor KZ-2; 5.00 m		767.D632.1	1303
Swan neck				
1	Swan neck ABIMIG® GRIP A 255; 45° bent		767.D633.1	1307
4	Spacer	5 Pcs.	767.D637.5	1595
7.1	Torch body plastic GRIP		400.0044	1095
Handle GRIP				
11	Handle GRIP with trigger cpl.		180.0127	1095
11.1	Trigger 2-pole GRIP		185.0101	9010
Cable assembly				
40	Bikox® LW-power cable, R5 for 3.00 m		160.H032.1	1511
40	Bikox® LW-power cable, R5 for 4.00 m		160.H033.1	1511
40	Bikox® LW-power cable, R5 for 5.00 m		160.H034.1	1511
40.1	Hexagon nut M10x1	10 Pcs.	001.0009	9010
44	Trigger wire connector	20 Pcs.	175.0022	9010
45	Insulating sleeve	20 Pcs.	400.0119	1095
46	Plug	20 Pcs.	175.0004	9010
54	Cable support ND 19		400.1010	1095
54.1	Ball joint cable support short for ABIMIG® GRIP A		400.1323.1	1595
56	Cable support machine side		501.2248	9010
57	Pan head screw M4x6	20 Pcs.	000.0552	9010
57.1	Screw cap 1	20 Pcs.	500.0251	9010
58	Adaptor nut M33x2		500.0213	9010
59	Central adaptor KZ-2		501.0003	1095
60	Coupling nut M10x1, plastic	5 Pcs.	501.D536.5	1595
61	O-Ring 4x1	20 Pcs.	165.0002	9010

MIG/MAG Welding Torch ABIMIG® GRIP A 255 LW

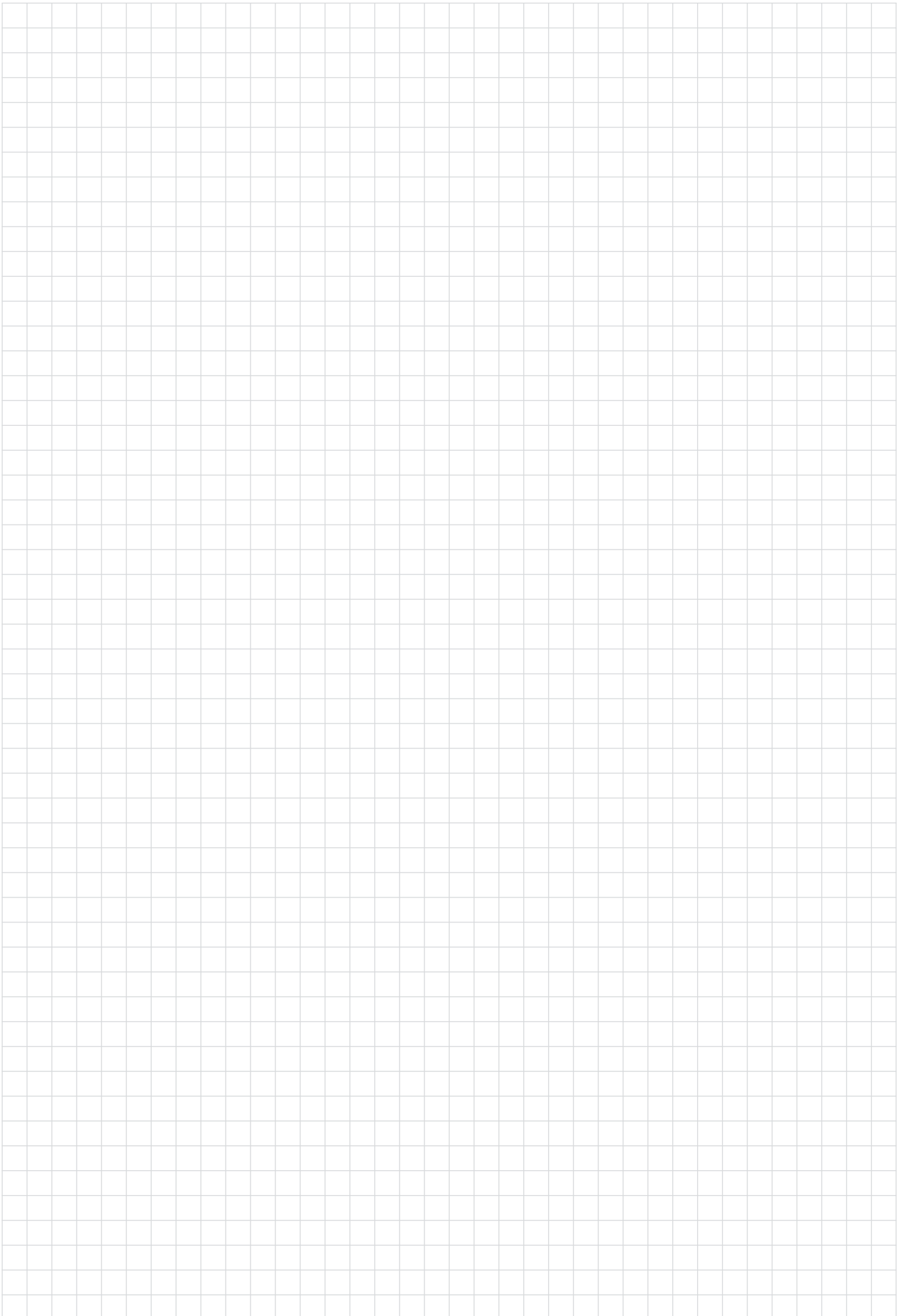


Pos.	Description	Units	Part-No.	Product-group
62	Trigger wire connector; female	20 Pcs.	175.0003	9010
Wear parts				
80	Contact tip holder M14/M6/51 US	5 Pcs.	004.D624.5	1533
90	Contact tip M6 E-Cu; Ø 0.8 (8x28)	10 Pcs.	140.0051	1030
90	Contact tip M6 E-Cu; Ø 1.0 (8x28)	10 Pcs.	140.0242	1030
90	Contact tip M6 E-Cu; Ø 1.2 (8x28)	10 Pcs.	140.0379	1030
90	Contact tip M6 CuCrZr; Ø 0.8 (8x28)	10 Pcs.	140.0054	1031
90	Contact tip M6 CuCrZr; Ø 1.0 (8x28)	10 Pcs.	140.0245	1031
90	Contact tip M6 CuCrZr; Ø 1.2 (8x28)	10 Pcs.	140.0382	1031
90	Contact tip M6 E-Cu; Ø 0.8 for alu wire (8x28)	10 Pcs.	141.0001	1030
90	Contact tip M6 E-Cu; Ø 1.0 for alu wire (8x28)	10 Pcs.	141.0006	1030
90	Contact tip M6 E-Cu; Ø 1.2 for alu wire (8x28)	10 Pcs.	141.0010	1030
90	Contact tip M6 CuCrZr silver-plated; Ø 0.8 (8x28)	10 Pcs.	147.0054	1031
90	Contact tip M6 CuCrZr silver-plated; Ø 1.0 (8x28)	10 Pcs.	147.0245	1031
90	Contact tip M6 CuCrZr silver-plated; Ø 1.2 (8x28)	10 Pcs.	147.0382	1031
91	Contact tip M6 E-Cu; Ø 0.8 (6x25)	10 Pcs.	140.0059	1030
91	Contact tip M6 E-Cu; Ø 1.0 (6x25)	10 Pcs.	140.0253	1030
91	Contact tip M6 CuCrZr; Ø 0.8 (6x25)	10 Pcs.	140.0062	1031
91	Contact tip M6 CuCrZr; Ø 1.0 (6x25)	10 Pcs.	140.0256	1031
91	Contact tip M6 E-Cu; Ø 0.8 for alu wire (6x25)	10 Pcs.	141.0002	1030
91	Contact tip M6 E-Cu; Ø 1.0 for alu wire (6x25)	10 Pcs.	141.0007	1030
91	Contact tip M6 CuCrZr silver-plated; Ø 0.8 (6x25)	10 Pcs.	147.0062	1031
91	Contact tip M6 CuCrZr silver-plated; Ø 1.0 (6x25)	10 Pcs.	147.0256	1031
100	Gas nozzle M14; ND 16 galvanized	5 Pcs.	145.D011	1536
101	Gas nozzle M14; ND 14 galvanized; short	5 Pcs.	145.D012	1336
102	Gas nozzle M14; ND 18 galvanized; cylindrical	5 Pcs.	145.D014	1336
120	Guide spiral liner insulated; 1.5/4.5; blue; for wire Ø 0.6 - 0.8; for 3.00 m		124.0011	1034
120	Guide spiral liner insulated; 1.5/4.5; blue; for wire Ø 0.6 - 0.8; for 4.00 m		124.0012	1034

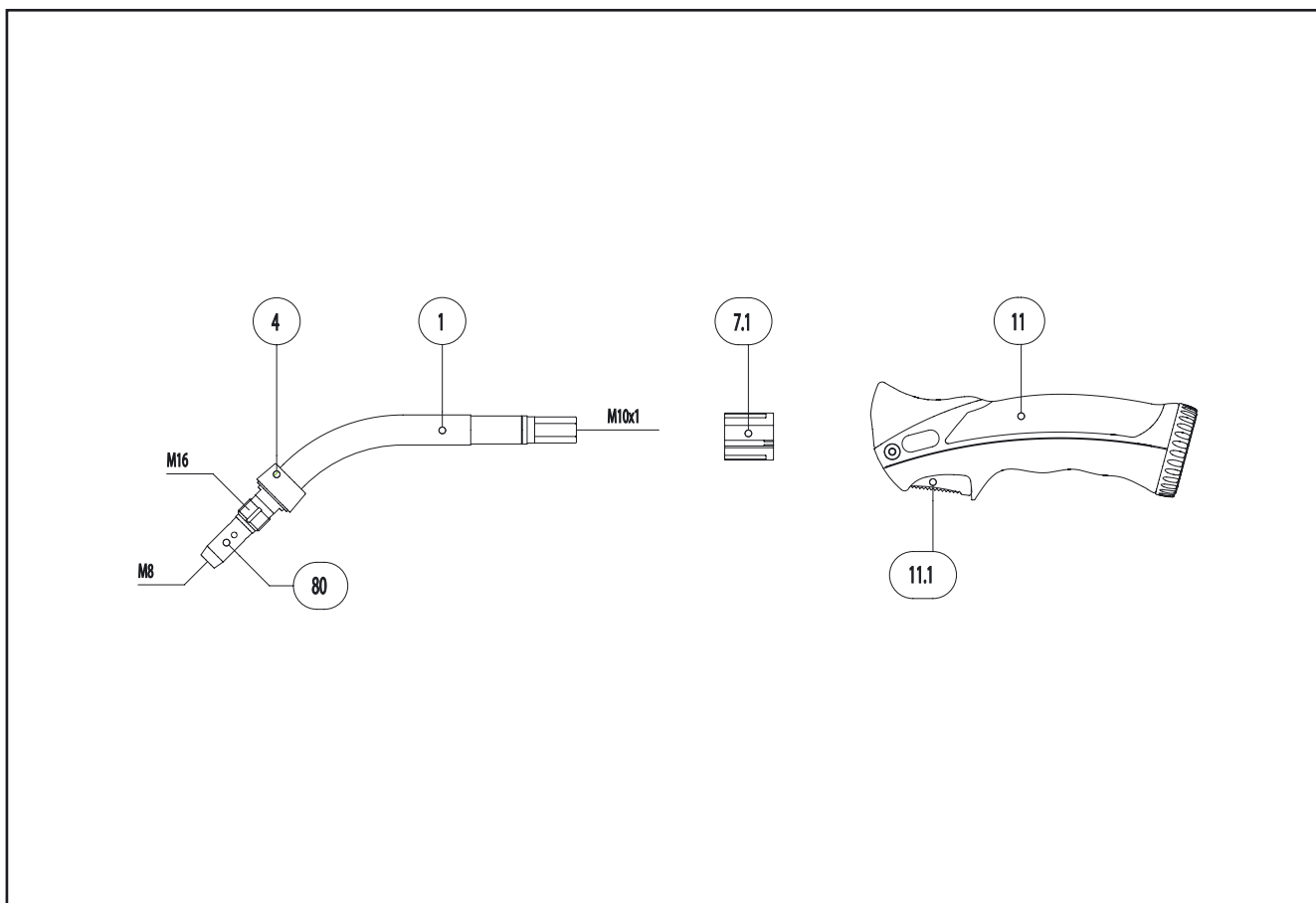
MIG/MAG Welding Torch ABIMIG® GRIP A 255 LW



Pos.	Description	Units	Part-No.	Product-group
120	Guide spiral liner insulated; 1.5/4.5; blue; for wire Ø 0.6 - 0.8; for 5.00 m		124.0015	1034
120	Guide spiral liner insulated; 2.0/4.5; red; for wire Ø 1.0 - 1.2; for 3.00 m		124.0026	1034
120	Guide spiral liner insulated; 2.0/4.5; red; for wire Ø 1.0 - 1.2; for 4.00 m		124.0031	1034
120	Guide spiral liner insulated; 2.0/4.5; red; for wire Ø 1.0 - 1.2; for 5.00 m		124.0035	1034
130	PTFE core liner 1.5/4.0; blue; wire electrode Ø 0.8 - 1.0; for 3.00 m		126.0005	1034
130	PTFE core liner 1.5/4.0; blue; wire electrode Ø 0.8 - 1.0; for 4.00 m		126.0008	1034
130	PTFE core liner 1.5/4.0; blue; wire electrode Ø 0.8 - 1.0; for 5.00 m		126.0011	1034
130	PTFE core liner 2.0/4.0; red; wire electrode Ø 1.0 - 1.2; for 3.00 m		126.0021	1034
130	PTFE core liner 2.0/4.0; red; wire electrode Ø 1.0 - 1.2; for 4.00 m		126.0026	1034
130	PTFE core liner 2.0/4.0; red; wire electrode Ø 1.0 - 1.2; for 5.00 m		126.0028	1034
130	PTFE carbon core liner 1.5/4.0; wire electrode Ø 0.8 - 1.0; for 3.00 m		127.0002	1034
130	PTFE carbon core liner 1.5/4.0; wire electrode Ø 0.8 - 1.0; for 4.00 m		127.0003	1034
130	PTFE carbon core liner 1.5/4.0; wire electrode Ø 0.8 - 1.0; for 5.00 m		127.0004	1034
130	PTFE carbon core liner 2.0/4.0; wire electrode Ø 1.0 - 1.2; for 3.00 m		127.0005	1034
130	PTFE carbon core liner 2.0/4.0; wire electrode Ø 1.0 - 1.2; for 4.00 m		127.0007	1034
130	PTFE carbon core liner 2.0/4.0; wire electrode Ø 1.0 - 1.2; for 5.00 m		127.0008	1034
131	Nipple for core liner at Ø 4.0	20 Pcs.	131.0001	1095
132	O-Ring 3.5x1.5	20 Pcs.	165.0008	9010
133	Guide tube for core liners up to Ø 4.0 (200 mm)		129.0461	1095
200	Spanner for ABIMIG®		191.D045	1595

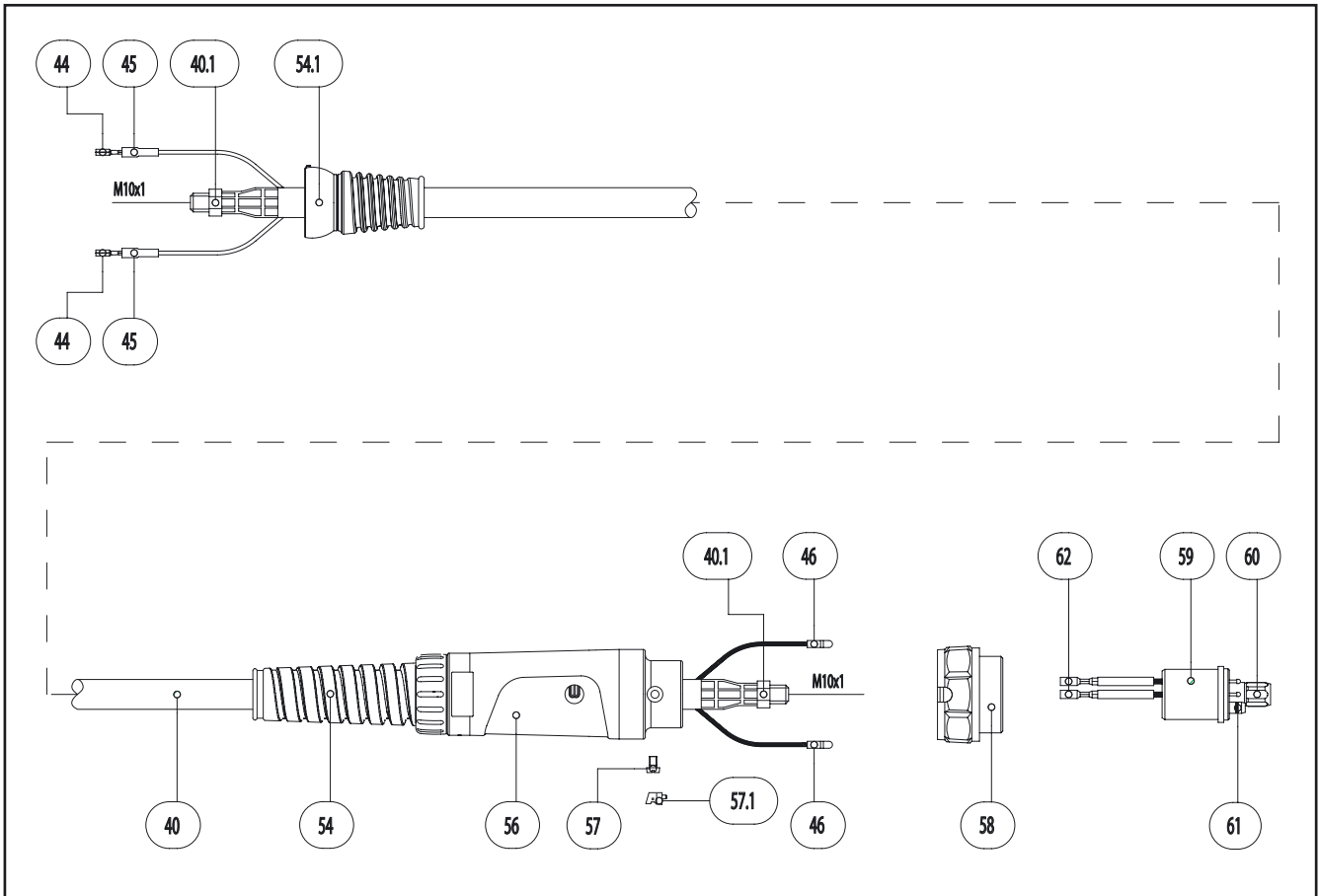


MIG/MAG Welding Torch ABIMIG® GRIP A 305 LW



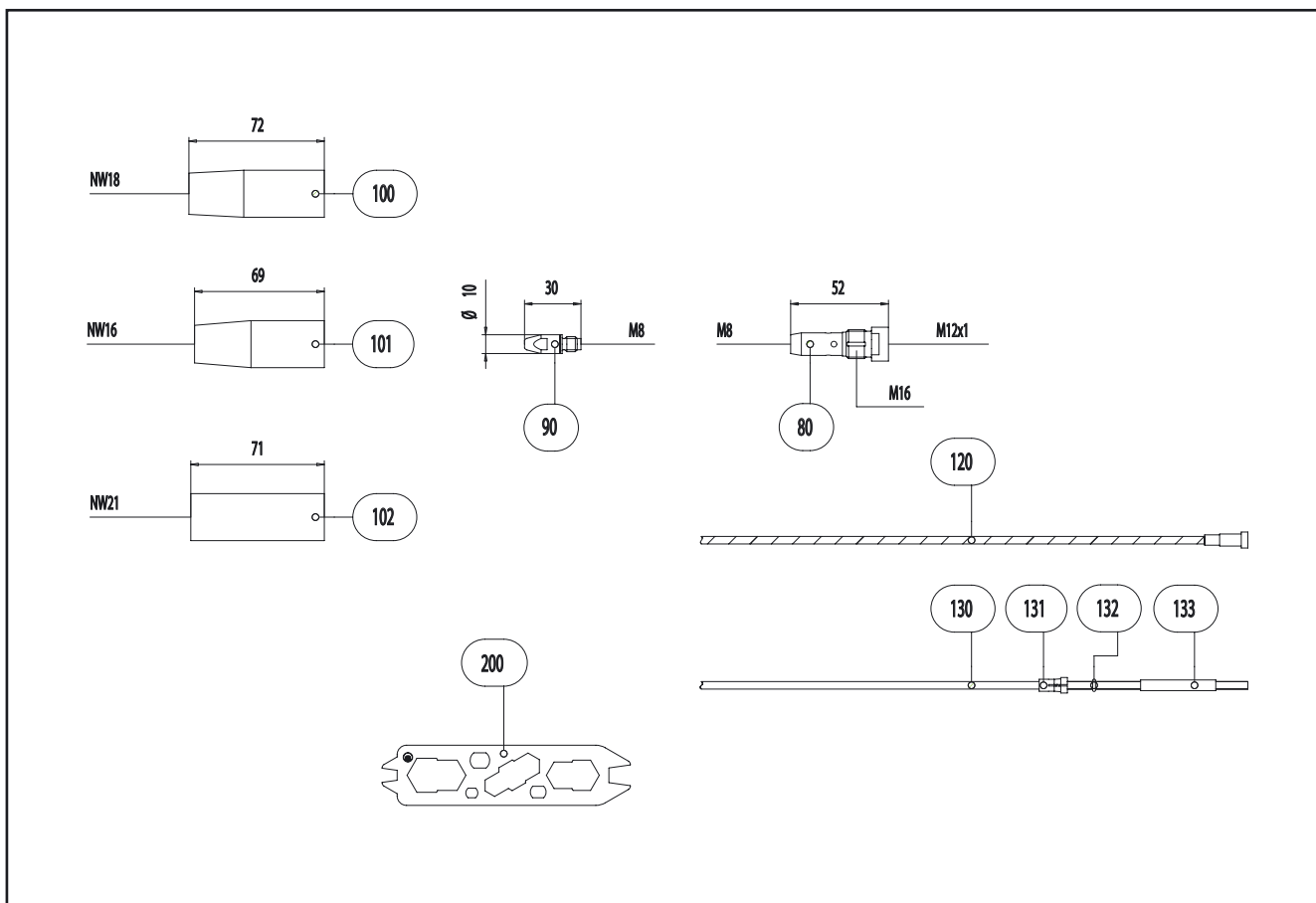
Pos.	Description	Units	Part-No.	Product-group
Torch				
	ABIMIG® GRIP A 305 LW; central adaptor KZ-2; 3.00 m		767.D660.1	1304
	ABIMIG® GRIP A 305 LW; central adaptor KZ-2; 4.00 m		767.D661.1	1304
	ABIMIG® GRIP A 305 LW; central adaptor KZ-2; 5.00 m		767.D662.1	1304
Swan neck				
1	Swan neck ABIMIG® GRIP A 305; 45° bent		767.D663.1	1309
4	Spacer	5 Pcs.	767.D668.5	1595
7.1	Torch body plastic GRIP		400.0044	1095
Handle GRIP				
11	Handle GRIP with trigger cpl.		180.0127	1095
11.1	Trigger 2-pole GRIP		185.0101	9010
Cable assembly				
40	Bikox® LW-power cable, R6 for 3.00 m		160.H039.1	1511
40	Bikox® LW-power cable, R6 for 4.00 m		160.H040.1	1511
40	Bikox® LW-power cable, R6 for 5.00 m		160.H041.1	1511
40.1	Hexagon nut M10x1	10 Pcs.	001.0009	9010
44	Trigger wire connector	20 Pcs.	175.0022	9010
45	Insulating sleeve	20 Pcs.	400.0119	1095
46	Plug	20 Pcs.	175.0004	9010
54	Cable support ND 19		400.1010	1095
54.1	Ball joint cable support short for ABIMIG® GRIP A		400.1323.1	1595
56	Cable support machine side		501.2248	9010
57	Pan head screw M4x6	20 Pcs.	000.0552	9010
57.1	Screw cap 1	20 Pcs.	500.0251	9010
58	Adaptor nut M33x2		500.0213	9010
59	Central adaptor KZ-2		501.0003	1095
60	Coupling nut M10x1, plastic	5 Pcs.	501.D536.5	1595
61	O-Ring 4x1	20 Pcs.	165.0002	9010

MIG/MAG Welding Torch ABIMIG® GRIP A 305 LW



Pos.	Description	Units	Part-No.	Product-group
62	Trigger wire connector; female	20 Pcs.	175.0003	9010
Wear parts				
80	Contact tip holder M16/M8/52 US	5 Pcs.	014.D745.5	1533
90	Contact tip M8 E-Cu; Ø 0.8 (10x30)	10 Pcs.	140.0114	1030
90	Contact tip M8 E-Cu; Ø 1.0 (10x30)	10 Pcs.	140.0313	1030
90	Contact tip M8 E-Cu; Ø 1.2 (10x30)	10 Pcs.	140.0442	1030
90	Contact tip M8 E-Cu; Ø 1.4 (10x30)	10 Pcs.	140.0533	1030
90	Contact tip M8 E-Cu; Ø 1.6 (10x30)	10 Pcs.	140.0587	1030
90	Contact tip M8 CuCrZr; Ø 0.8 (10x30)	10 Pcs.	140.0117	1031
90	Contact tip M8 CuCrZr; Ø 1.0 (10x30)	10 Pcs.	140.0316	1031
90	Contact tip M8 CuCrZr; Ø 1.2 (10x30)	10 Pcs.	140.0445	1031
90	Contact tip M8 CuCrZr; Ø 1.4 (10x30)	10 Pcs.	140.0536	1031
90	Contact tip M8 CuCrZr; Ø 1.6 (10x30)	10 Pcs.	140.0590	1031
90	Contact tip M8 E-Cu; Ø 0.8 for alu wire (10x30)	10 Pcs.	141.0003	1030
90	Contact tip M8 E-Cu; Ø 1.0 for alu wire (10x30)	10 Pcs.	141.0008	1030
90	Contact tip M8 E-Cu; Ø 1.2 for alu wire (10x30)	10 Pcs.	141.0015	1030
90	Contact tip M8 E-Cu; Ø 1.4 for alu wire (10x30)	10 Pcs.	141.0055	1030
90	Contact tip M8 E-Cu; Ø 1.6 for alu wire (10x30)	10 Pcs.	141.0022	1030
90	Contact tip M8 CuCrZr silver-plated; Ø 0.8 (10x30)	10 Pcs.	147.0117	1031
90	Contact tip M8 CuCrZr silver-plated; Ø 1.0 (10x30)	10 Pcs.	147.0316	1031
90	Contact tip M8 CuCrZr silver-plated; Ø 1.2 (10x30)	10 Pcs.	147.0445	1031
90	Contact tip M8 CuCrZr silver-plated; Ø 1.4 (10x30)	10 Pcs.	147.0536	1031
90	Contact tip M8 CuCrZr silver-plated; Ø 1.6 (10x30)	10 Pcs.	147.0590	1031
100	Gas nozzle M16; ND 18 galvanized	5 Pcs.	145.D021	1537
101	Gas nozzle M16; ND 16 galvanized; short	5 Pcs.	145.D022	1337
102	Gas nozzle M16; ND 21 galvanized; cylindrical	5 Pcs.	145.D024	1337
120	Guide spiral liner insulated; 1.5/4.5; blue; for wire Ø 0.6 - 0.8; for 3.00 m		124.0011	1034
120	Guide spiral liner insulated; 1.5/4.5; blue; for wire Ø 0.6 - 0.8; for 4.00 m		124.0012	1034

MIG/MAG Welding Torch ABIMIG® GRIP A 305 LW

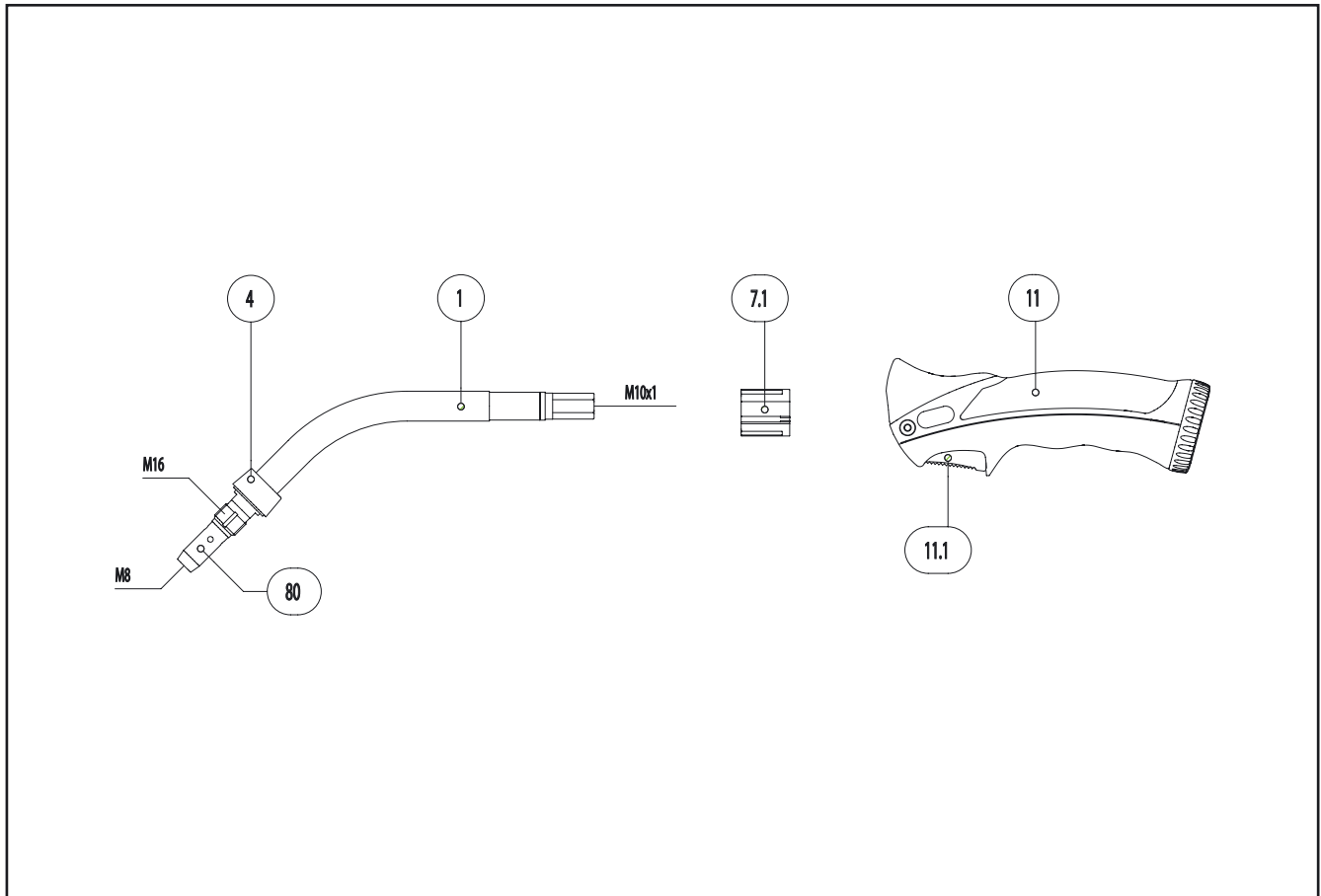


Pos.	Description	Units	Part-No.	Product-group
120	Guide spiral liner insulated; 1.5/4.5; blue; for wire Ø 0.6 - 0.8; for 5.00 m		124.0015	1034
120	Guide spiral liner insulated; 2.0/4.5; red; for wire Ø 1.0 - 1.2; for 3.00 m		124.0026	1034
120	Guide spiral liner insulated; 2.0/4.5; red; for wire Ø 1.0 - 1.2; for 4.00 m		124.0031	1034
120	Guide spiral liner insulated; 2.0/4.5; red; for wire Ø 1.0 - 1.2; for 5.00 m		124.0035	1034
120	Guide spiral liner insulated; 2.5/4.5; yellow; for wire Ø 1.4 - 1.6; for 3.00 m		124.0041	1034
120	Guide spiral liner insulated; 2.5/4.5; yellow; for wire Ø 1.4 - 1.6; for 4.00 m		124.0042	1034
120	Guide spiral liner insulated; 2.5/4.5; yellow; for wire Ø 1.4 - 1.6; for 5.00 m		124.0044	1034
130	PTFE core liner 1.5/4.0; blue; wire electrode Ø 0.8 - 1.0; for 3.00 m		126.0005	1034
130	PTFE core liner 1.5/4.0; blue; wire electrode Ø 0.8 - 1.0; for 4.00 m		126.0008	1034
130	PTFE core liner 1.5/4.0; blue; wire electrode Ø 0.8 - 1.0; for 5.00 m		126.0011	1034
130	PTFE core liner 2.0/4.0; red; wire electrode Ø 1.0 - 1.2; for 3.00 m		126.0021	1034
130	PTFE core liner 2.0/4.0; red; wire electrode Ø 1.0 - 1.2; for 4.00 m		126.0026	1034
130	PTFE core liner 2.0/4.0; red; wire electrode Ø 1.0 - 1.2; for 5.00 m		126.0028	1034
130	PTFE core liner 2.7/4.7; yellow; wire electrode Ø 1.6; for 3.00 m		126.0039	1034
130	PTFE core liner 2.7/4.7; yellow; wire electrode Ø 1.6; for 4.00 m		126.0042	1034
130	PTFE core liner 2.7/4.7; yellow; wire electrode Ø 1.6; for 5.00 m		126.0045	1034
130	PTFE carbon core liner 1.5/4.0; wire electrode Ø 0.8 - 1.0; for 3.00 m		127.0002	1034
130	PTFE carbon core liner 1.5/4.0; wire electrode Ø 0.8 - 1.0; for 4.00 m		127.0003	1034
130	PTFE carbon core liner 1.5/4.0; wire electrode Ø 0.8 - 1.0; for 5.00 m		127.0004	1034
130	PTFE carbon core liner 2.0/4.0; wire electrode Ø 1.0 - 1.2; for 3.00 m		127.0005	1034
130	PTFE carbon core liner 2.0/4.0; wire electrode Ø 1.0 - 1.2; for 4.00 m		127.0007	1034
130	PTFE carbon core liner 2.0/4.0; wire electrode Ø 1.0 - 1.2; for 5.00 m		127.0008	1034
130	PTFE carbon core liner 2.7/4.7; wire electrode Ø 1.6; for 3.00 m		127.0010	1034
130	PTFE carbon core liner 2.7/4.7; wire electrode Ø 1.6; for 4.00 m		127.0012	1034
130	PTFE carbon core liner 2.7/4.7; wire electrode Ø 1.6; for 5.00 m		127.0013	1034
131	Nipple for core liner at Ø 4.0	20 Pcs.	131.0001	1095
132	O-Ring 3.5x1.5	20 Pcs.	165.0008	9010
133	Guide tube for core liners up to Ø 4.0 (200 mm)		129.0461	1095

MIG/MAG Welding Torch ABIMIG® GRIP A 305 LW

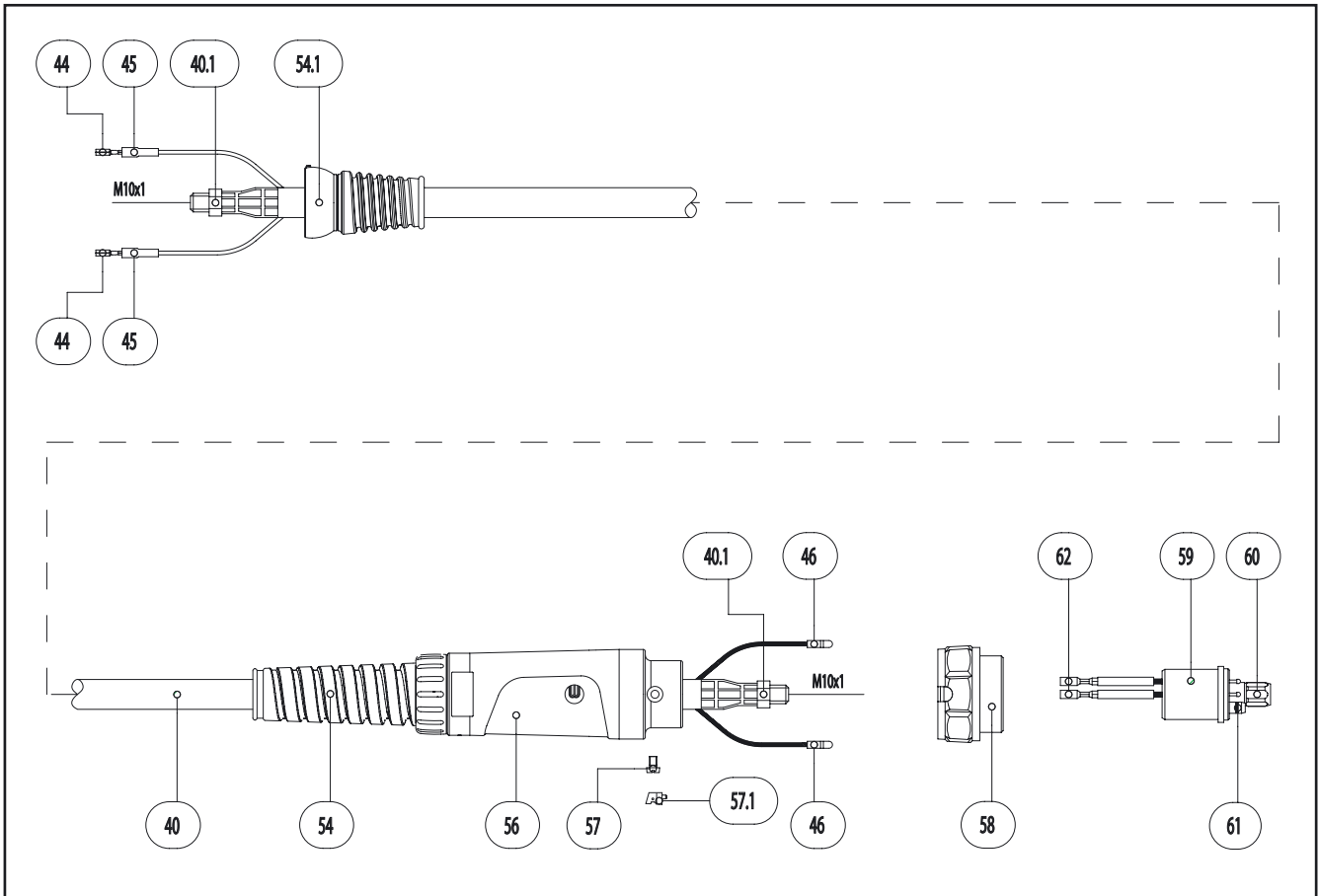
Pos.	Description	Units	Part-No.	Product-group
200	Spanner for ABIMIG®		191.D045	1595

MIG/MAG Welding Torch ABIMIG® GRIP A 355 LW



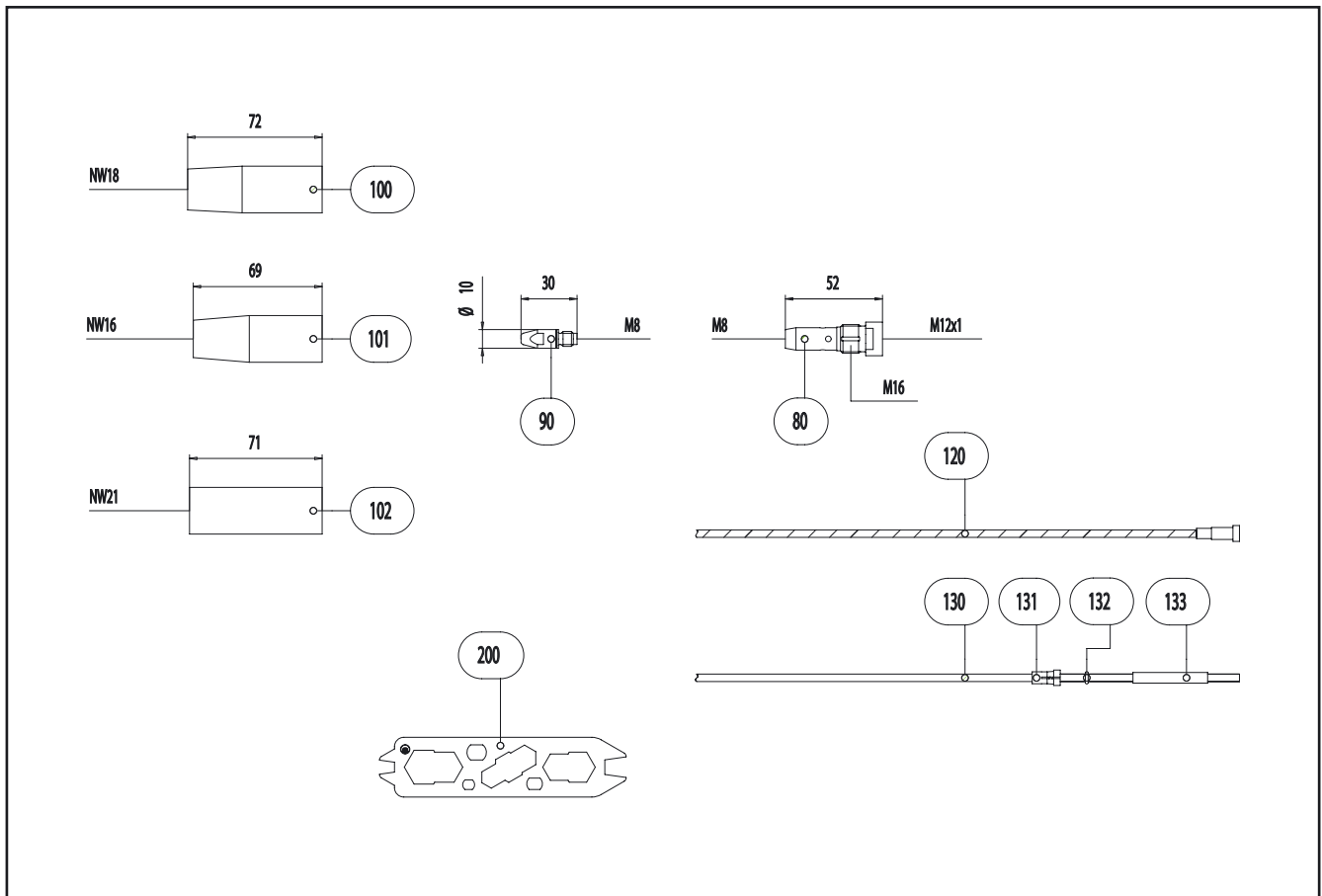
Pos.	Description	Units	Part-No.	Product-group
Torch				
	ABIMIG® GRIP A 355 LW; central adaptor KZ-2; 3.00 m		767.D690.1	1304
	ABIMIG® GRIP A 355 LW; central adaptor KZ-2; 4.00 m		767.D691.1	1304
	ABIMIG® GRIP A 355 LW; central adaptor KZ-2; 5.00 m		767.D692.1	1304
Swan neck				
1	Swan neck ABIMIG® GRIP A 355; 45° bent		767.D693.1	1309
4	Spacer	5 Pcs.	767.D668.5	1595
7.1	Torch body plastic GRIP		400.0044	1095
Handle GRIP				
11	Handle GRIP with trigger cpl.		180.0127	1095
11.1	Trigger 2-pole GRIP		185.0101	9010
Cable assembly				
40	Bikox® LW-power cable, R7 for 3.00 m		160.H046.1	1511
40	Bikox® LW-power cable, R7 for 4.00 m		160.H047.1	1511
40	Bikox® LW-power cable, R7 for 5.00 m		160.H048.1	1511
40.1	Hexagon nut M10x1	10 Pcs.	001.0009	9010
44	Trigger wire connector	20 Pcs.	175.0022	9010
45	Insulating sleeve	20 Pcs.	400.0119	1095
46	Plug	20 Pcs.	175.0004	9010
54	Cable support ND 19		400.1010	1095
54.1	Ball joint cable support short for ABIMIG® GRIP A		400.1323.1	1595
56	Cable support machine side		501.2248	9010
57	Pan head screw M4x6	20 Pcs.	000.0552	9010
57.1	Screw cap 1	20 Pcs.	500.0251	9010
58	Adaptor nut M33x2		500.0213	9010
59	Central adaptor KZ-2		501.0003	1095
60	Coupling nut M10x1, plastic	5 Pcs.	501.D536.5	1595
61	O-Ring 4x1	20 Pcs.	165.0002	9010

MIG/MAG Welding Torch ABIMIG® GRIP A 355 LW



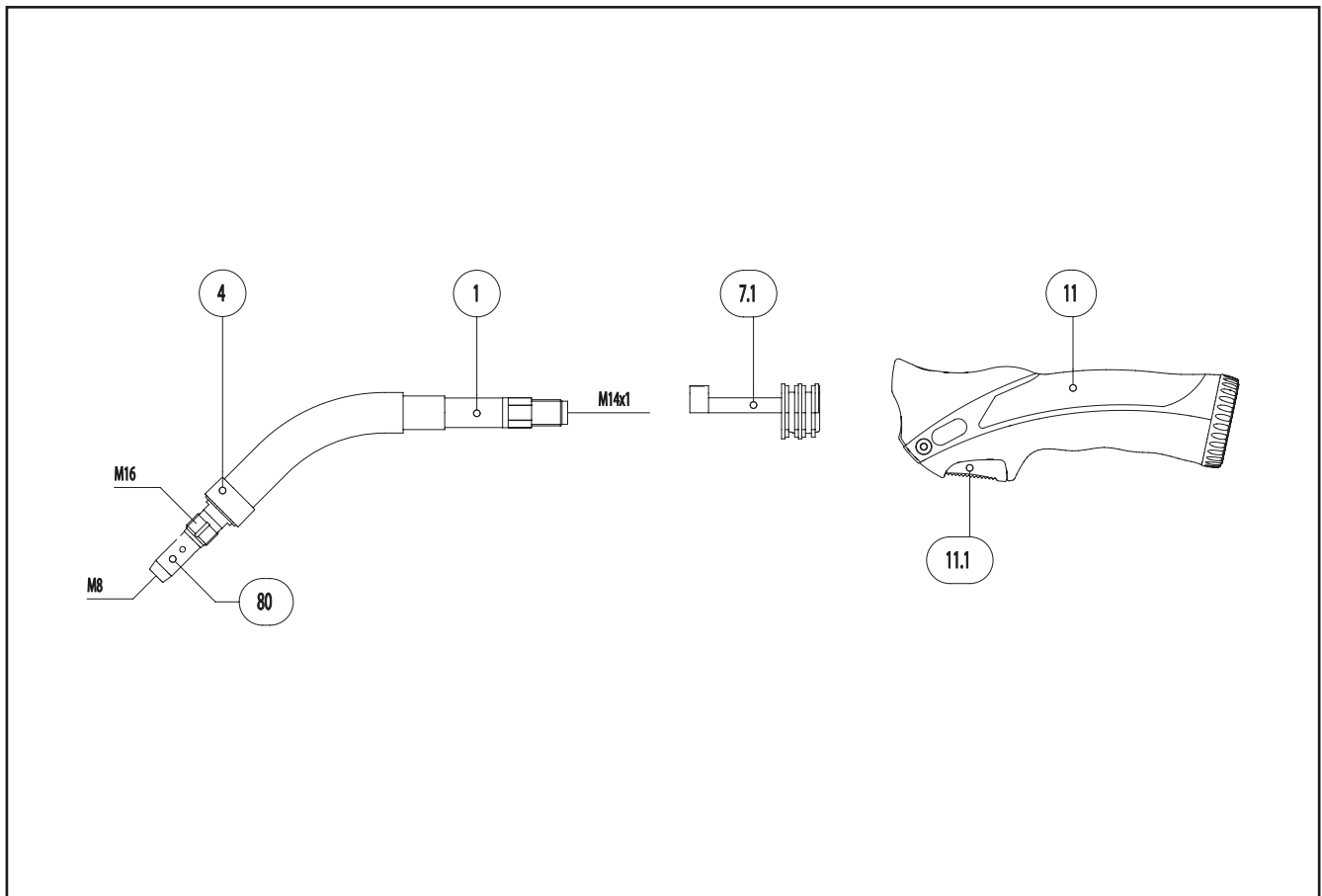
Pos.	Description	Units	Part-No.	Product-group
62	Trigger wire connector; female	20 Pcs.	175.0003	9010
Wear parts				
80	Contact tip holder M16/M8/52 US	5 Pcs.	014.D745.5	1533
90	Contact tip M8 E-Cu; Ø 0.8 (10x30)	10 Pcs.	140.0114	1030
90	Contact tip M8 E-Cu; Ø 1.0 (10x30)	10 Pcs.	140.0313	1030
90	Contact tip M8 E-Cu; Ø 1.2 (10x30)	10 Pcs.	140.0442	1030
90	Contact tip M8 E-Cu; Ø 1.4 (10x30)	10 Pcs.	140.0533	1030
90	Contact tip M8 E-Cu; Ø 1.6 (10x30)	10 Pcs.	140.0587	1030
90	Contact tip M8 CuCrZr; Ø 0.8 (10x30)	10 Pcs.	140.0117	1031
90	Contact tip M8 CuCrZr; Ø 1.0 (10x30)	10 Pcs.	140.0316	1031
90	Contact tip M8 CuCrZr; Ø 1.2 (10x30)	10 Pcs.	140.0445	1031
90	Contact tip M8 CuCrZr; Ø 1.4 (10x30)	10 Pcs.	140.0536	1031
90	Contact tip M8 CuCrZr; Ø 1.6 (10x30)	10 Pcs.	140.0590	1031
90	Contact tip M8 E-Cu; Ø 0.8 for alu wire (10x30)	10 Pcs.	141.0003	1030
90	Contact tip M8 E-Cu; Ø 1.0 for alu wire (10x30)	10 Pcs.	141.0008	1030
90	Contact tip M8 E-Cu; Ø 1.2 for alu wire (10x30)	10 Pcs.	141.0015	1030
90	Contact tip M8 E-Cu; Ø 1.4 for alu wire (10x30)	10 Pcs.	141.0055	1030
90	Contact tip M8 E-Cu; Ø 1.6 for alu wire (10x30)	10 Pcs.	141.0022	1030
90	Contact tip M8 CuCrZr silver-plated; Ø 0.8 (10x30)	10 Pcs.	147.0117	1031
90	Contact tip M8 CuCrZr silver-plated; Ø 1.0 (10x30)	10 Pcs.	147.0316	1031
90	Contact tip M8 CuCrZr silver-plated; Ø 1.2 (10x30)	10 Pcs.	147.0445	1031
90	Contact tip M8 CuCrZr silver-plated; Ø 1.4 (10x30)	10 Pcs.	147.0536	1031
90	Contact tip M8 CuCrZr silver-plated; Ø 1.6 (10x30)	10 Pcs.	147.0590	1031
100	Gas nozzle M16; ND 18 galvanized	5 Pcs.	145.D021	1537
101	Gas nozzle M16; ND 16 galvanized; short	5 Pcs.	145.D022	1337
102	Gas nozzle M16; ND 21 galvanized; cylindrical	5 Pcs.	145.D024	1337
120	Guide spiral liner insulated; 1.5/4.5; blue; for wire Ø 0.6 - 0.8; for 3.00 m		124.0011	1034
120	Guide spiral liner insulated; 1.5/4.5; blue; for wire Ø 0.6 - 0.8; for 4.00 m		124.0012	1034

MIG/MAG Welding Torch ABIMIG® GRIP A 355 LW



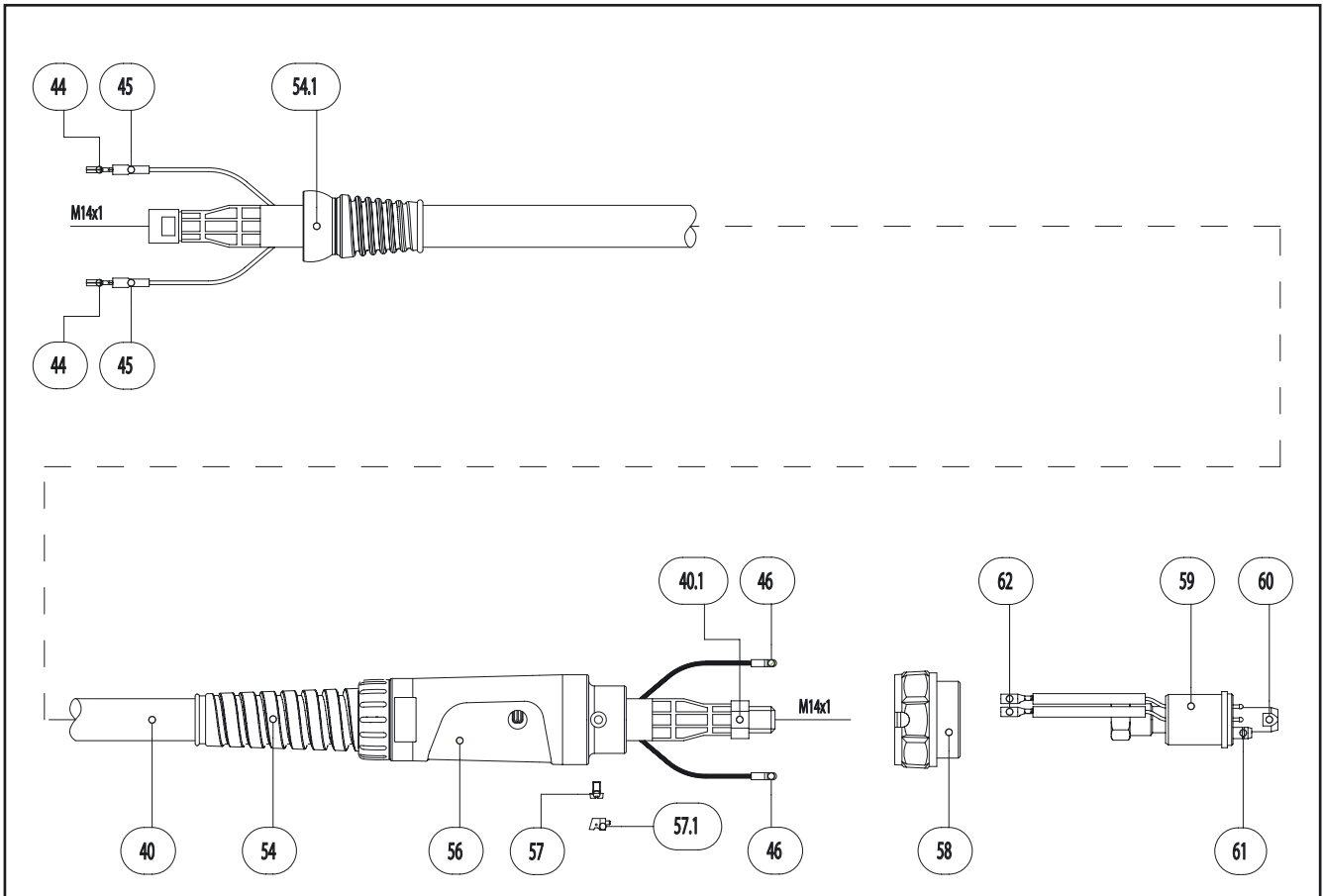
Pos.	Description	Units	Part-No.	Product-group
120	Guide spiral liner insulated; 1.5/4.5; blue; for wire Ø 0.6 - 0.8; for 5.00 m		124.0015	1034
120	Guide spiral liner insulated; 2.0/4.5; red; for wire Ø 1.0 - 1.2; for 3.00 m		124.0026	1034
120	Guide spiral liner insulated; 2.0/4.5; red; for wire Ø 1.0 - 1.2; for 4.00 m		124.0031	1034
120	Guide spiral liner insulated; 2.0/4.5; red; for wire Ø 1.0 - 1.2; for 5.00 m		124.0035	1034
120	Guide spiral liner insulated; 2.5/4.5; yellow; for wire Ø 1.4 - 1.6; for 3.00 m		124.0041	1034
120	Guide spiral liner insulated; 2.5/4.5; yellow; for wire Ø 1.4 - 1.6; for 4.00 m		124.0042	1034
120	Guide spiral liner insulated; 2.5/4.5; yellow; for wire Ø 1.4 - 1.6; for 5.00 m		124.0044	1034
130	PTFE core liner 1.5/4.0; blue; wire electrode Ø 0.8 - 1.0; for 3.00 m		126.0005	1034
130	PTFE core liner 1.5/4.0; blue; wire electrode Ø 0.8 - 1.0; for 4.00 m		126.0008	1034
130	PTFE core liner 1.5/4.0; blue; wire electrode Ø 0.8 - 1.0; for 5.00 m		126.0011	1034
130	PTFE core liner 2.0/4.0; red; wire electrode Ø 1.0 - 1.2; for 3.00 m		126.0021	1034
130	PTFE core liner 2.0/4.0; red; wire electrode Ø 1.0 - 1.2; for 4.00 m		126.0026	1034
130	PTFE core liner 2.0/4.0; red; wire electrode Ø 1.0 - 1.2; for 5.00 m		126.0028	1034
130	PTFE core liner 2.7/4.7; yellow; wire electrode Ø 1.6; for 3.00 m		126.0039	1034
130	PTFE core liner 2.7/4.7; yellow; wire electrode Ø 1.6; for 4.00 m		126.0042	1034
130	PTFE core liner 2.7/4.7; yellow; wire electrode Ø 1.6; for 5.00 m		126.0045	1034
130	PTFE carbon core liner 1.5/4.0; wire electrode Ø 0.8 - 1.0; for 3.00 m		127.0002	1034
130	PTFE carbon core liner 1.5/4.0; wire electrode Ø 0.8 - 1.0; for 4.00 m		127.0003	1034
130	PTFE carbon core liner 1.5/4.0; wire electrode Ø 0.8 - 1.0; for 5.00 m		127.0004	1034
130	PTFE carbon core liner 2.0/4.0; wire electrode Ø 1.0 - 1.2; for 3.00 m		127.0005	1034
130	PTFE carbon core liner 2.0/4.0; wire electrode Ø 1.0 - 1.2; for 4.00 m		127.0007	1034
130	PTFE carbon core liner 2.0/4.0; wire electrode Ø 1.0 - 1.2; for 5.00 m		127.0008	1034
130	PTFE carbon core liner 2.7/4.7; wire electrode Ø 1.6; for 3.00 m		127.0010	1034
130	PTFE carbon core liner 2.7/4.7; wire electrode Ø 1.6; for 4.00 m		127.0012	1034
130	PTFE carbon core liner 2.7/4.7; wire electrode Ø 1.6; for 5.00 m		127.0013	1034
131	Nipple for core liner at Ø 4.0	20 Pcs.	131.0001	1095
132	O-Ring 3.5x1.5	20 Pcs.	165.0008	9010
133	Guide tube for core liners up to Ø 4.0 (200 mm)		129.0461	1095

MIG/MAG Welding Torch ABIMIG® GRIP A 405 LW



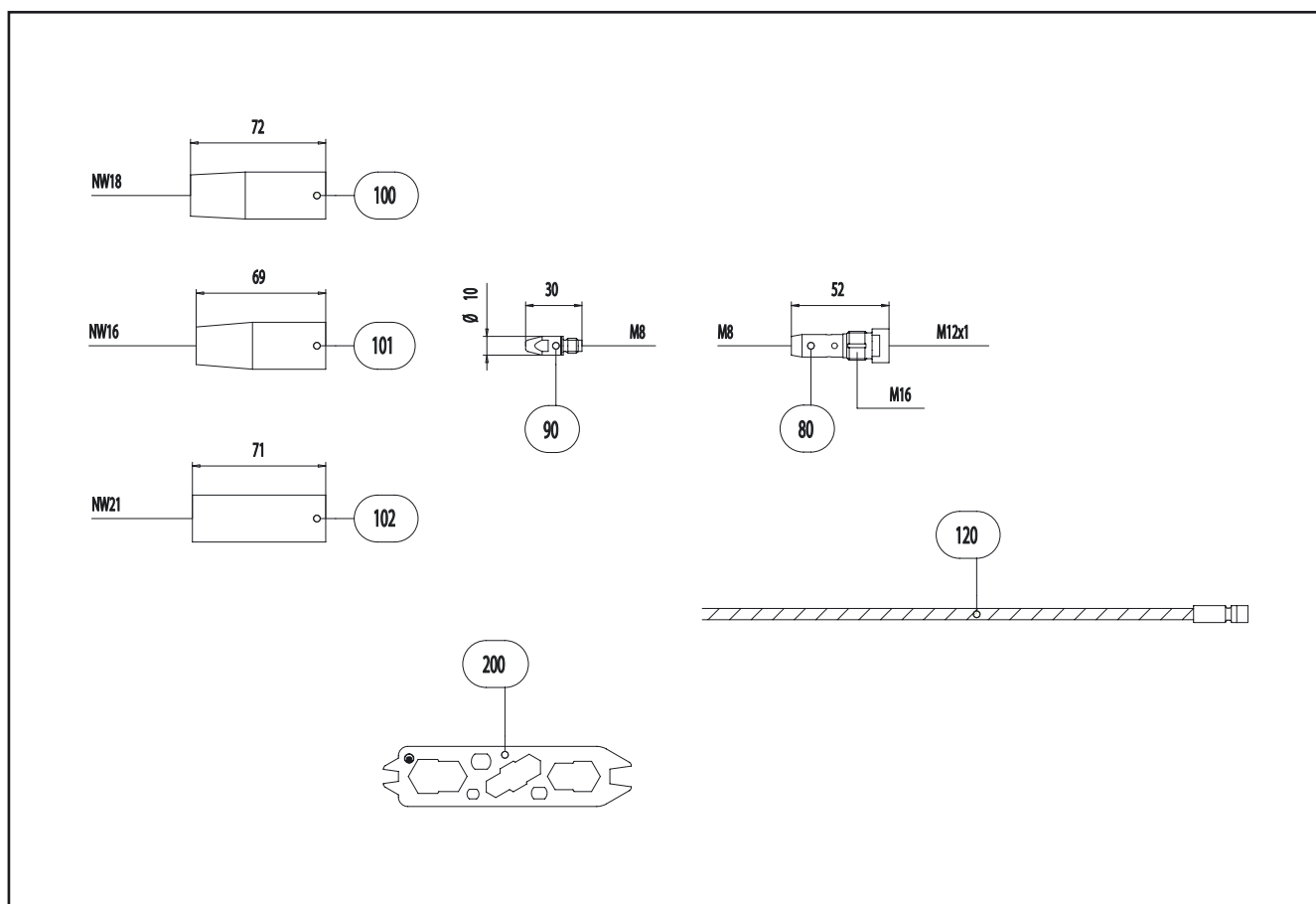
Pos.	Description	Units	Part-No.	Product-group
Torch				
	ABIMIG® GRIP A 405 LW; type S; central adaptor KZ-2; 3.00 m		767.D720.1	1304
	ABIMIG® GRIP A 405 LW; type S; central adaptor KZ-2; 4.00 m		767.D721.1	1304
	ABIMIG® GRIP A 405 LW; type S; central adaptor KZ-2; 5.00 m		767.D722.1	1304
Swan neck				
1	Swan neck ABIMIG® GRIP A 405; 45° bent		767.D723.1	1309
4	Spacer	5 Pcs.	767.D729.5	1595
7.1	Torch body		400.1333.1	1595
Handle GRIP				
11	Handle GRIP type S with trigger cpl.		180.0132.1	1395
11.1	Trigger 2-pole GRIP	5 Pcs.	185.0107.5	1395
Cable assembly				
40	Bikox® LW-power cable, R9 for 3.00 m		160.H053.1	1511
40	Bikox® LW-power cable, R9 for 4.00 m		160.H054.1	1511
40	Bikox® LW-power cable, R9 for 5.00 m		160.H055.1	1511
40.1	Nut M14x1	10 Pcs.	500.0085	9010
44	Trigger wire connector	20 Pcs.	175.0022	9010
45	Insulating sleeve	20 Pcs.	400.0119	1095
46	Plug	20 Pcs.	175.0004	9010
54	Cable support ND 21		400.1011	1095
54.1	Ball joint cable support short for ABIMIG® GRIP A		400.1323.1	1595
56	Cable support machine side		501.2248	9010
57	Pan head screw M4x6	20 Pcs.	000.0552	9010
57.1	Screw cap 1	20 Pcs.	500.0251	9010
58	Adaptor nut M33x2		500.0213	9010
59	Central adaptor RM 50 cpl.		501.D342	1395
60	Coupling nut M14x1, plastic	5 Pcs.	501.D537.5	1595
61	O-Ring 4x1	20 Pcs.	165.0002	9010

MIG/MAG Welding Torch ABIMIG® GRIP A 405 LW

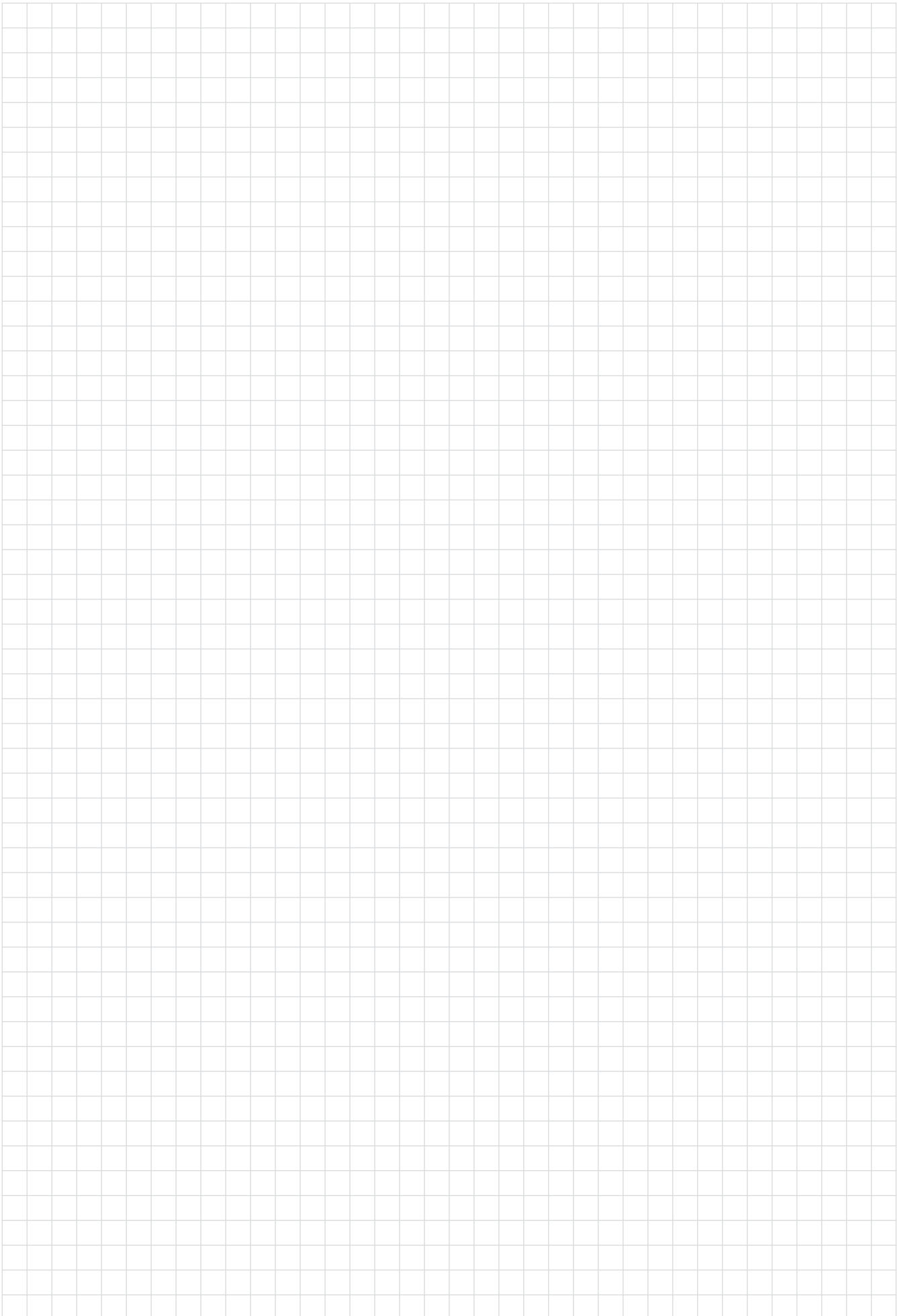


Pos.	Description	Units	Part-No.	Product-group
62	Trigger wire connector; female	20 Pcs.	175.0003	9010
Wear parts				
80	Contact tip holder M16/M8/52 US	5 Pcs.	014.D745.5	1533
90	Contact tip M8 E-Cu; Ø 1.0 (10x30)	10 Pcs.	140.0313	1030
90	Contact tip M8 E-Cu; Ø 1.2 (10x30)	10 Pcs.	140.0442	1030
90	Contact tip M8 E-Cu; Ø 1.4 (10x30)	10 Pcs.	140.0533	1030
90	Contact tip M8 E-Cu; Ø 1.6 (10x30)	10 Pcs.	140.0587	1030
90	Contact tip M8 E-Cu; Ø 2.0 (10x30)	10 Pcs.	140.0653	1030
90	Contact tip M8 CuCrZr; Ø 1.0 (10x30)	10 Pcs.	140.0316	1031
90	Contact tip M8 CuCrZr; Ø 1.2 (10x30)	10 Pcs.	140.0445	1031
90	Contact tip M8 CuCrZr; Ø 1.4 (10x30)	10 Pcs.	140.0536	1031
90	Contact tip M8 CuCrZr; Ø 1.6 (10x30)	10 Pcs.	140.0590	1031
90	Contact tip M8 CuCrZr; Ø 2.0 (10x30)	10 Pcs.	140.0656	1031
90	Contact tip M8 E-Cu; Ø 1.0 for alu wire (10x30)	10 Pcs.	141.0008	1030
90	Contact tip M8 E-Cu; Ø 1.2 for alu wire (10x30)	10 Pcs.	141.0015	1030
90	Contact tip M8 E-Cu; Ø 1.4 for alu wire (10x30)	10 Pcs.	141.0055	1030
90	Contact tip M8 E-Cu; Ø 1.6 for alu wire (10x30)	10 Pcs.	141.0022	1030
90	Contact tip M8 E-Cu; Ø 2.0 for alu wire (10x30)	10 Pcs.	141.0033	1030
90	Contact tip M8 CuCrZr silver-plated; Ø 1.0 (10x30)	10 Pcs.	147.0316	1031
90	Contact tip M8 CuCrZr silver-plated; Ø 1.2 (10x30)	10 Pcs.	147.0445	1031
90	Contact tip M8 CuCrZr silver-plated; Ø 1.4 (10x30)	10 Pcs.	147.0536	1031
90	Contact tip M8 CuCrZr silver-plated; Ø 1.6 (10x30)	10 Pcs.	147.0590	1031
100	Gas nozzle M16; ND 18 galvanized	5 Pcs.	145.D021	1537
101	Gas nozzle M16; ND 16 galvanized; short	5 Pcs.	145.D022	1337
102	Gas nozzle M16; ND 21 galvanized; cylindrical	5 Pcs.	145.D024	1337
103	Gas nozzle (slip-on) D15; ND 16 galvanized	5 Pcs.	145.D378.5	1537
120	Guide spiral liner insulated; 1.9/5.5; red; for wire Ø 1.0 - 1.2; for 3.00 m		124.D113	1534
120	Guide spiral liner insulated; 1.9/5.5; red; for wire Ø 1.0 - 1.2; for 4.00 m		124.D114	1534

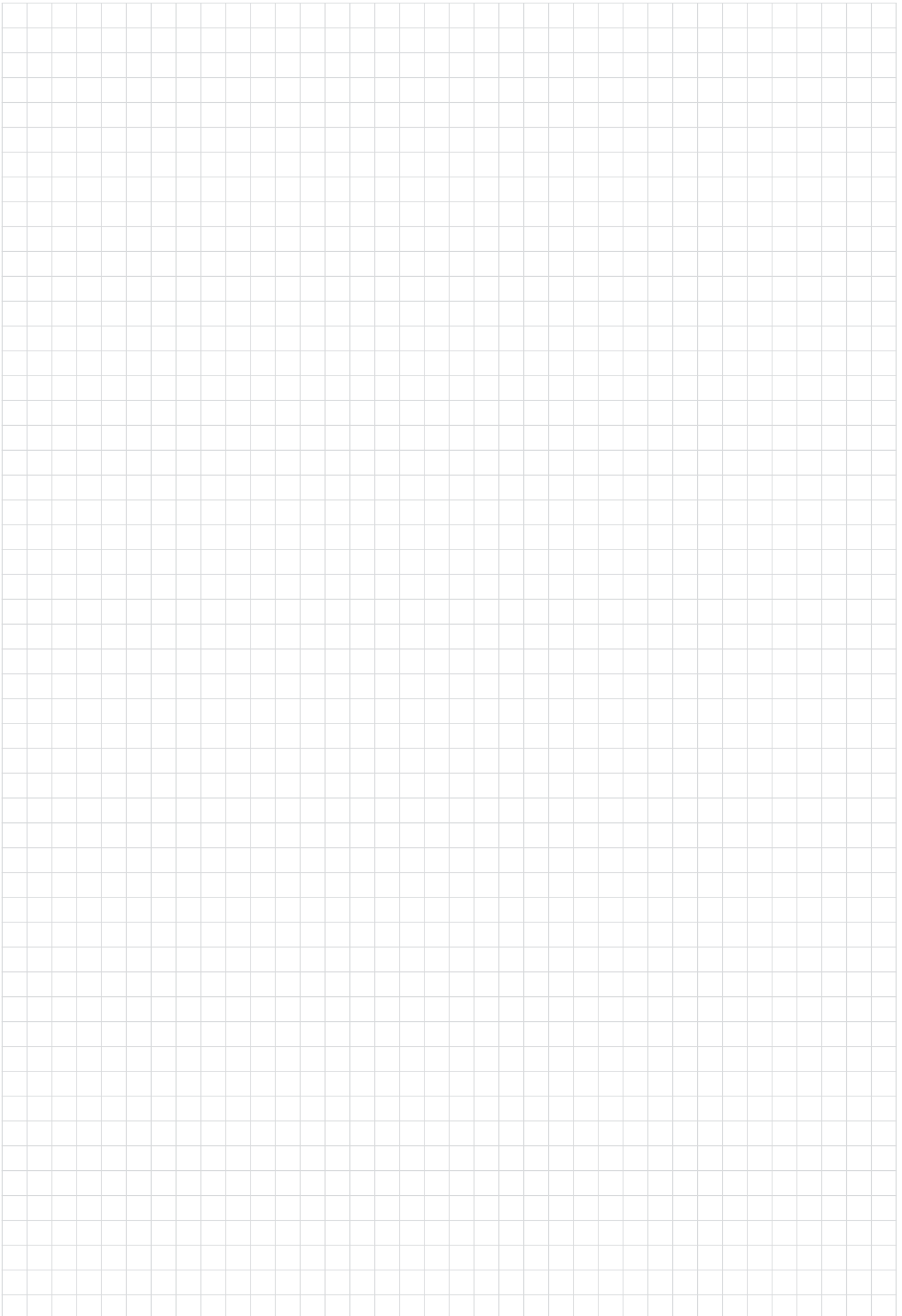
MIG/MAG Welding Torch ABIMIG® GRIP A 405 LW



Pos.	Description	Units	Part-No.	Product-group
120	Guide spiral liner insulated; 1.9/5.5; red; for wire Ø 1.0 - 1.2; for 5.00 m		124.D115	1534
120	Guide spiral liner insulated; 2.2/6.0; white; for wire Ø 1.4 - 1.6; for 3.00 m		124.D116	1534
120	Guide spiral liner insulated; 2.2/6.0; white; for wire Ø 1.4 - 1.6; for 4.00 m		124.D117	1534
120	Guide spiral liner insulated; 2.2/6.0; white; for wire Ø 1.4 - 1.6; for 5.00 m		124.D118	1534
120	Guide spiral liner insulated; 3.0/6.4; blue; for wire Ø 2.0 - 2.4; for 3.00 m		124.D119	1534
120	Guide spiral liner insulated; 3.0/6.4; blue; for wire Ø 2.0 - 2.4; for 4.00 m		124.D120	1534
120	Guide spiral liner insulated; 3.0/6.4; blue; for wire Ø 2.0 - 2.4; for 5.00 m		124.D121	1534
200	Spanner for ABIMIG®		191.D045	1595



Notes



MIG/MAG Welding Torches

ABIMIG® GRIP W

liquid cooled

"Big performance and optimal handling"

The MIG/MAG Welding Torches ABIMIG® GRIP W liquid cooled with the innovative 2 component handle system "GRIP" combine ergonomics and feel with all common module variations (for switch and control functions) as well as "switch on top" solutions. "GRIP" insert and ball joint in the handle guarantee secure grip and optimal handling.

The liquid cooled ABIMIG® GRIP W torches particularly excel in impulse welding due to an optimized dual-circuit cooling system that ensures "extra-cool" wear parts and therefore extended service life.

- Dual-circuit cooling system with increased cooling liquid flow and novel heat dissipation for optimal power and heat conduction – guarantees less spatter adhesion and therefore extremely extended service life of wear and spare parts
- Additional torch neck protection through a UV, ozone and temperature resistant protective cover – for longer torch service life
- The newly developed torch neck and handle system ABIMIG® GRIP with ball joint guarantees optimal balance – even for welding tasks when access is difficult
- Specially designed spare and wear parts for the high-performance application range – excellent results especially in pulse arc welding

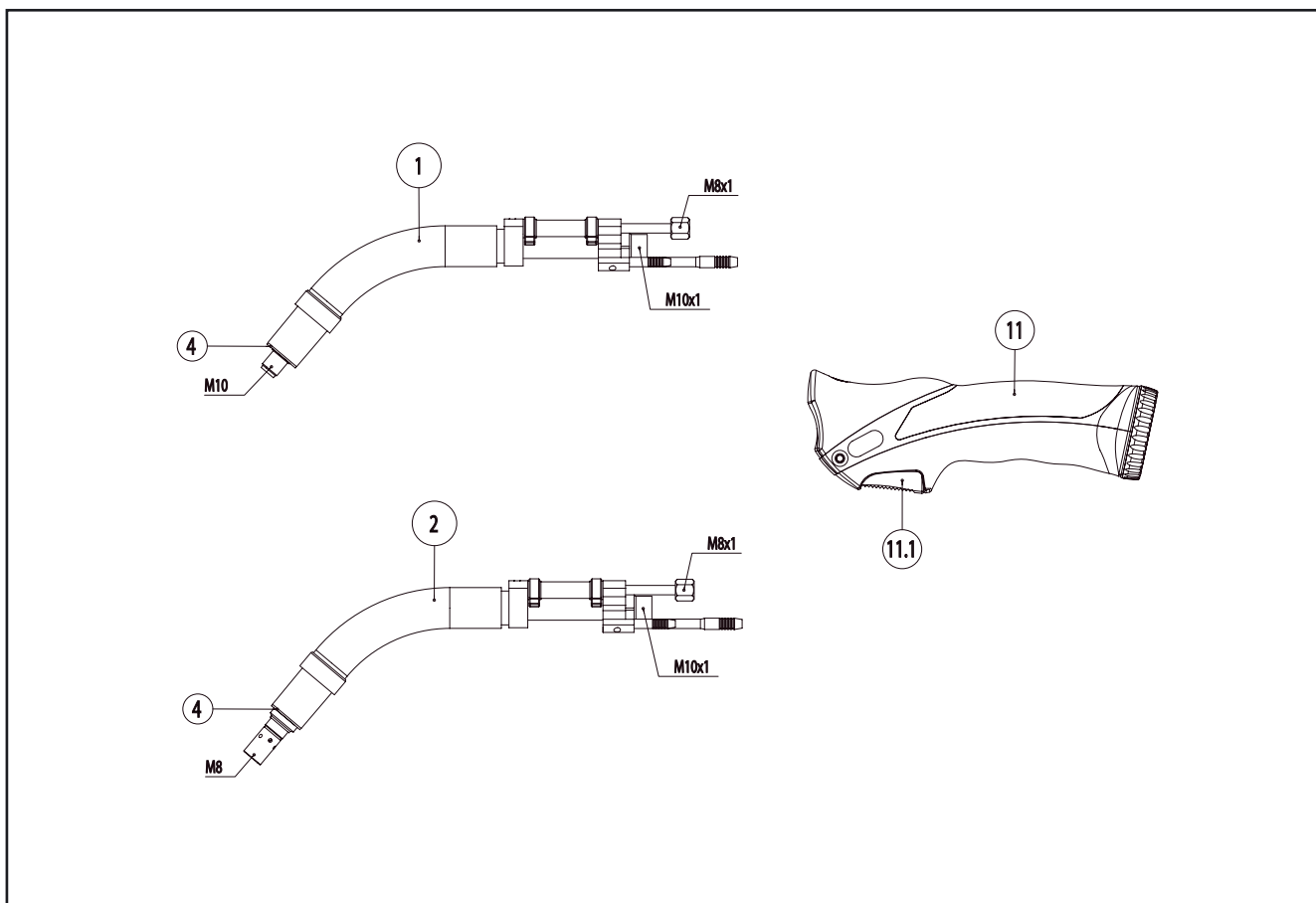
Technical data
(EN 60 974-7)

MIG/MAG Welding Torches "ABIMIG® GRIP W" (liquid cooled)

Type	Rating (A)		Duty cycle (%)	Wire size (mm)
	CO ₂	Mixed Gases M21		
ABIMIG® GRIP W 555 D	550	500	100	0.8 - 1.6
ABIMIG® GRIP W 555	575	525	100	0.8 - 1.6
ABIMIG® GRIP W 605	625	575	100	1.0 - 1.6
ABIMIG® GRIP W 605 D	600	550	100	1.0 - 1.6
ABIMIG® GRIP W 605 C	600	550	100	1.0 - 1.6

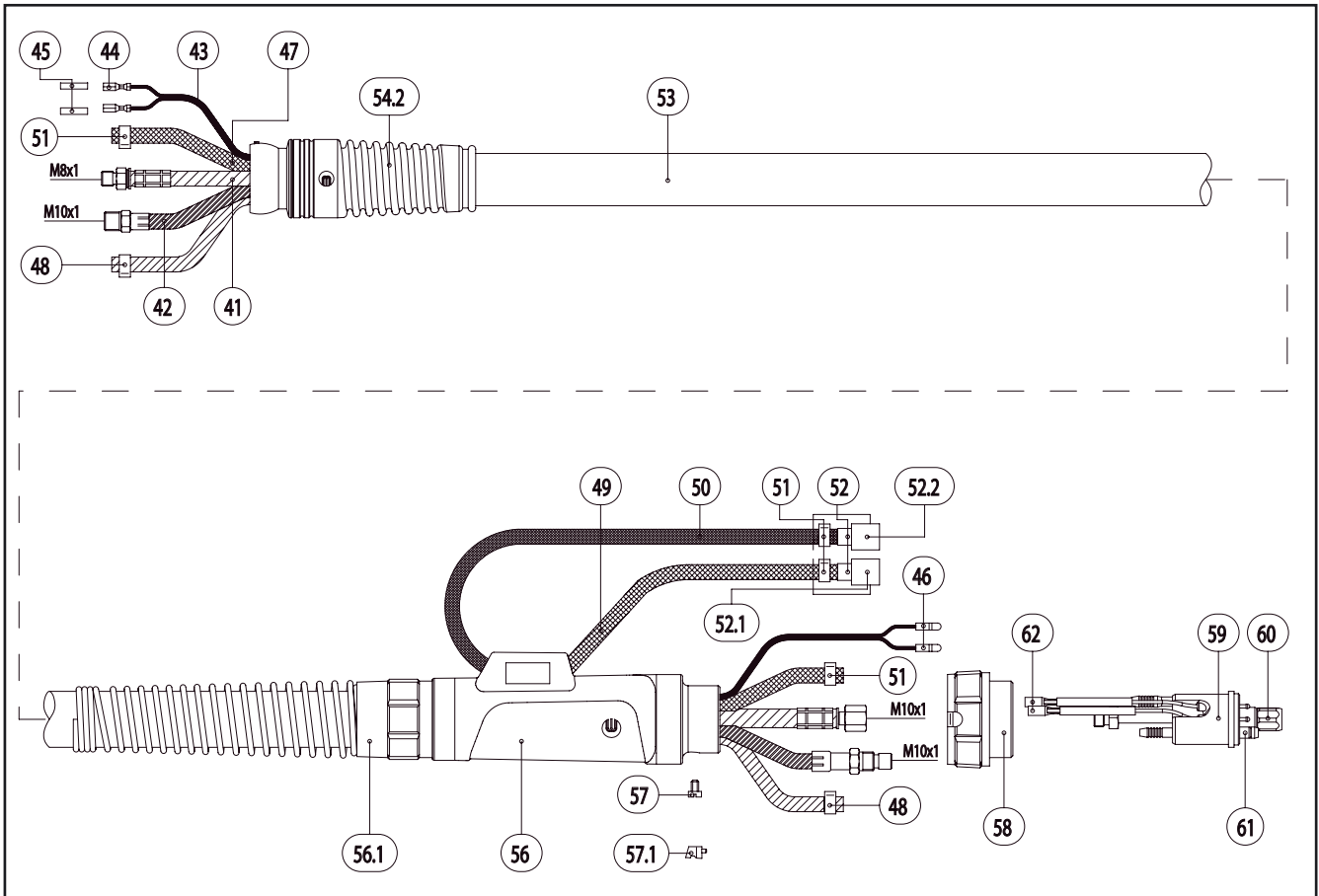
Subject to change without notice.

MIG/MAG Welding Torches ABIMIG® GRIP W 555 D / W 555



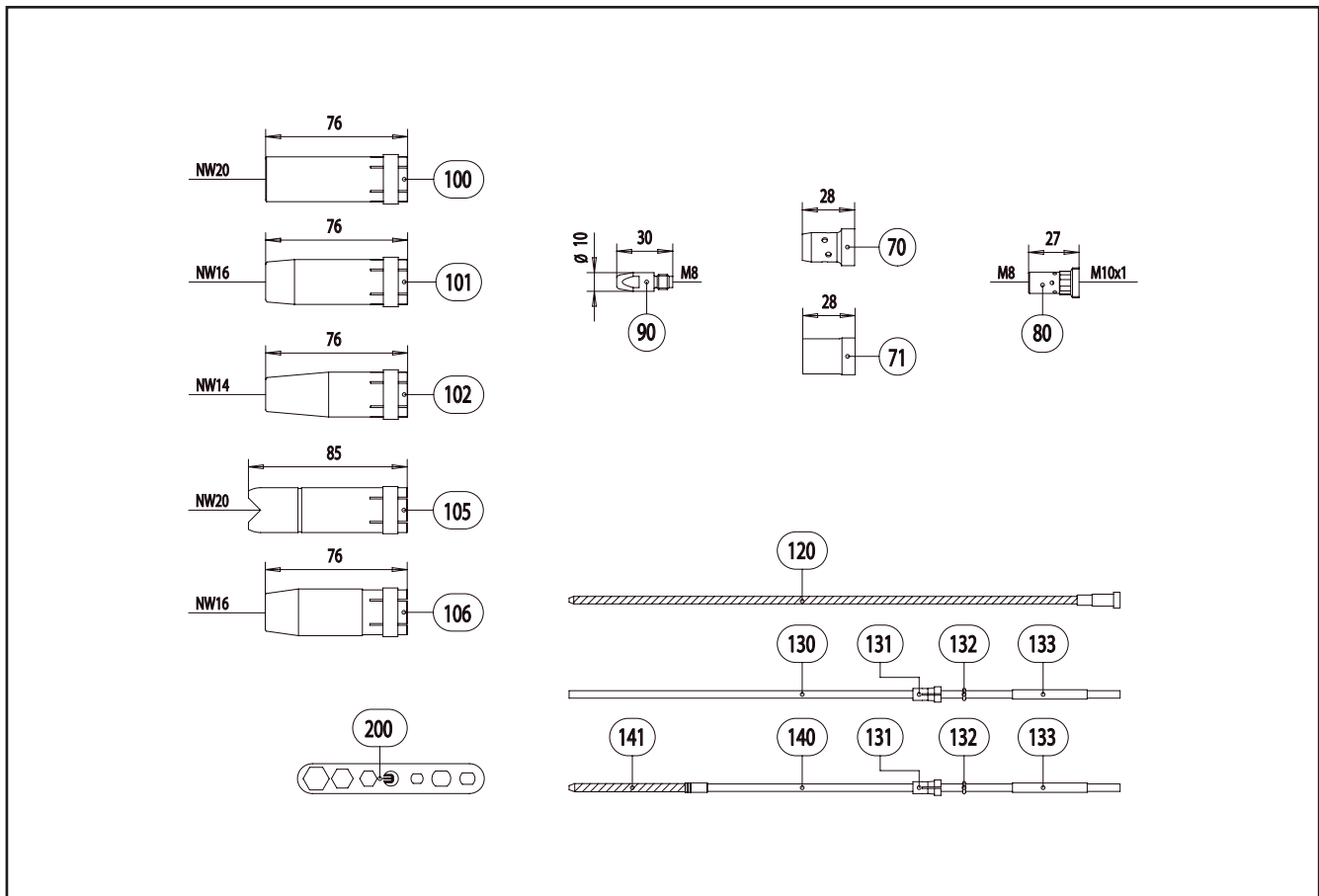
Pos.	Description	Units	Part-No.	Product-group
Torch (D-Version)				
	ABIMIG® GRIP W 555 D; type S; central adaptor WZ-2; 3.00 m		766.0526.1	1302
	ABIMIG® GRIP W 555 D; type S; central adaptor WZ-2; 4.00 m		766.0527.1	1302
	ABIMIG® GRIP W 555 D; type S; central adaptor WZ-2; 5.00 m		766.0528.1	1302
Torch				
	ABIMIG® GRIP W 555; type S; central adaptor WZ-2; 3.00 m		766.0529.1	1302
	ABIMIG® GRIP W 555; type S; central adaptor WZ-2; 4.00 m		766.0530.1	1302
	ABIMIG® GRIP W 555; type S; central adaptor WZ-2; 5.00 m		766.0531.1	1302
Swan neck (D-Version)				
1	Swan neck ABIMIG® GRIP W 555 D; 50° bent		766.0532.1	1309
Swan neck				
2	Swan neck ABIMIG® GRIP W 555; 50° bent		766.0533.1	1309
4	Insulator	20 Pcs.	766.0230	1395
Handle GRIP				
11	Handle GRIP type S with trigger cpl.		180.0132.1	1395
11.1	Trigger 2-pole GRIP	5 Pcs.	185.0107.5	1395
Cable assembly				
41	Power cable ABIMIG® GRIP / RAB Plus (PVC) for 3.00 m		115.0581	1012
41	Power cable ABIMIG® GRIP / RAB Plus (PVC) for 4.00 m		115.0582	1012
41	Power cable ABIMIG® GRIP / RAB Plus (PVC) for 5.00 m		115.0583	1012
42	Wire conduit ABIMIG® GRIP / MB GRIP cpl. for 3.00 m		156.0275	1012
42	Wire conduit ABIMIG® GRIP / MB GRIP cpl. for 4.00 m		156.0276	1012
42	Wire conduit ABIMIG® GRIP / MB GRIP cpl. for 5.00 m		156.0277	1012
43	Control cable 2-pole	200 m	100.0019	4050
44	Trigger wire connector	20 Pcs.	175.0022	9010
45	Insulating sleeve	20 Pcs.	400.0119	1095
46	Plug	20 Pcs.	175.0004	9010
47	Hose 30 black Ø 4.9x1.5	100 m	109.0040	4050

MIG/MAG Welding Torches ABIMIG® GRIP W 555 D / W 555



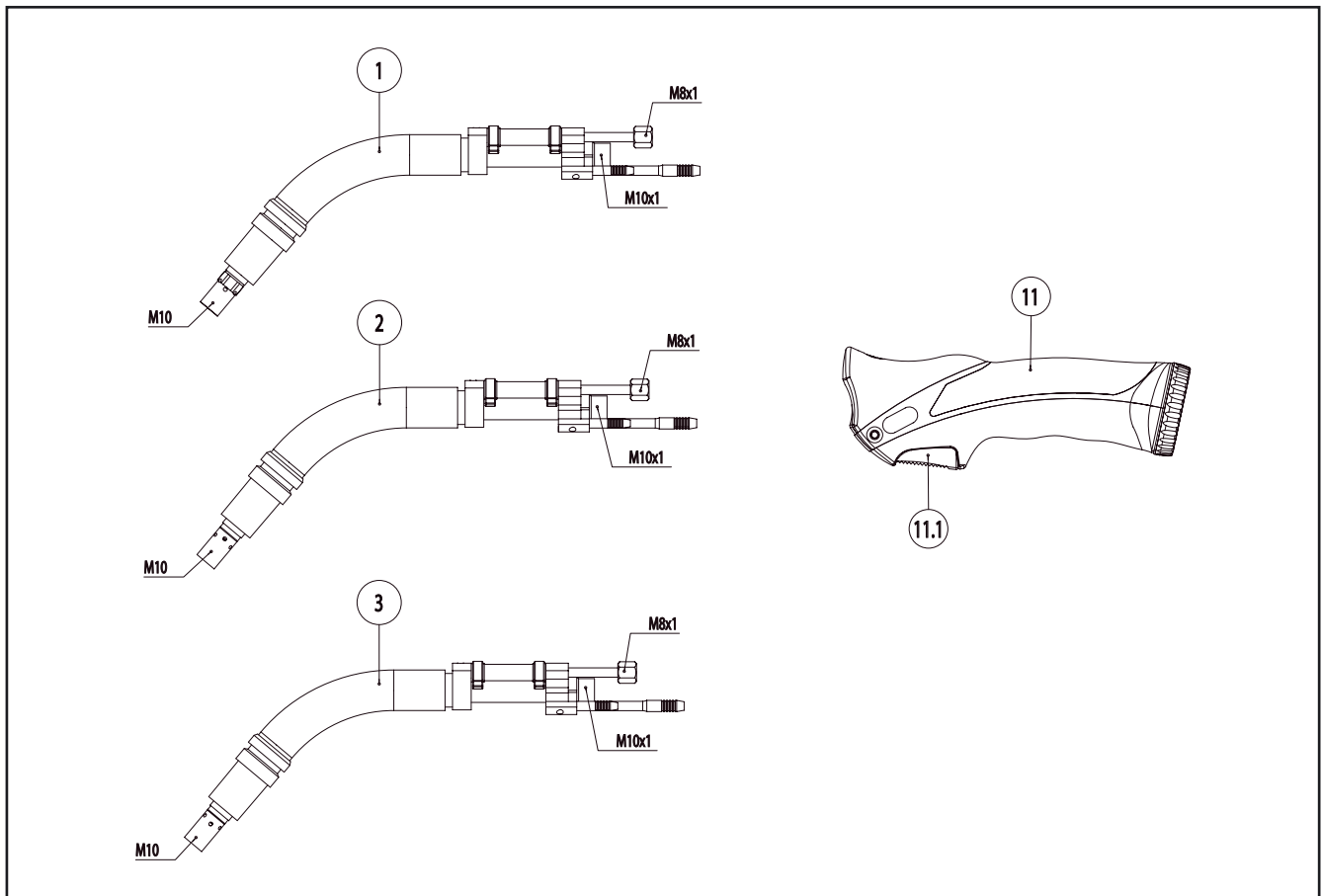
Pos.	Description	Units	Part-No.	Product-group
48	Hose clamp Ø 8.7 mm	20 Pcs.	173.0005	9010
49	Hose 47 blue Ø 5.5x1.5	100 m	109.0057	4050
50	Hose 46 red Ø 5.5x1.5	100 m	109.0056	4050
51	Hose clamp Ø 9.0 mm with ring (mark 9.5)	20 Pcs.	173.0001	9010
52	Plug nipple ND 5 mm / Ø 6.0 mm	20 Pcs.	501.0114	9010
52.1	Fastener cap blue		501.2424	1095
52.2	Fastener cap red		501.2423	1095
53	Outer cover with cable support Ø 25x1.5 for 3.00 m		107.0079	1095
53	Outer cover with cable support Ø 25x1.5 for 4.00 m		107.0044	1095
53	Outer cover with cable support Ø 25x1.5 for 5.00 m		107.0080	1095
w/o. fig.	Outer cover Ø 25x1.5	40 m	107.0004	4050
54.2	Ball joint cable support for ABIMIG® GRIP / MB GRIP (LC)		400.1125	1095
w/o. fig.	Inner ring for ABIMIG® / ABIMIG® GRIP / MB GRIP (LC)		400.0790	1095
56	Cable support machine side big cpl. ND 31		500.0342	9010
56.1	Cable support spring		500.0233	9010
56.1	Biclip inside		400.0328	9010
56.1	Biclip outside		400.0329	9010
57	Pan head screw M4x6	20 Pcs.	000.0552	9010
57.1	Screw cap 1	20 Pcs.	500.0251	9010
58	Adaptor nut M33x2		500.0213	9010
59	Central adaptor WZ-2		501.0015	9010
60	Coupling nut M10x1	10 Pcs.	501.0082	9010
61	O-Ring 4x1	20 Pcs.	165.0002	9010
62	Trigger wire connector; female	20 Pcs.	175.0003	9010
Wear parts ABIMIG® GRIP W 555 D / 555				
70	Gas diffuser, white	10 Pcs.	030.0145	1032
70	Gas diffuser, long life	10 Pcs.	030.0037	1032
70	Gas diffuser, ceramic	10 Pcs.	030.0190	1032

MIG/MAG Welding Torches ABIMIG® GRIP W 555 D / W 555



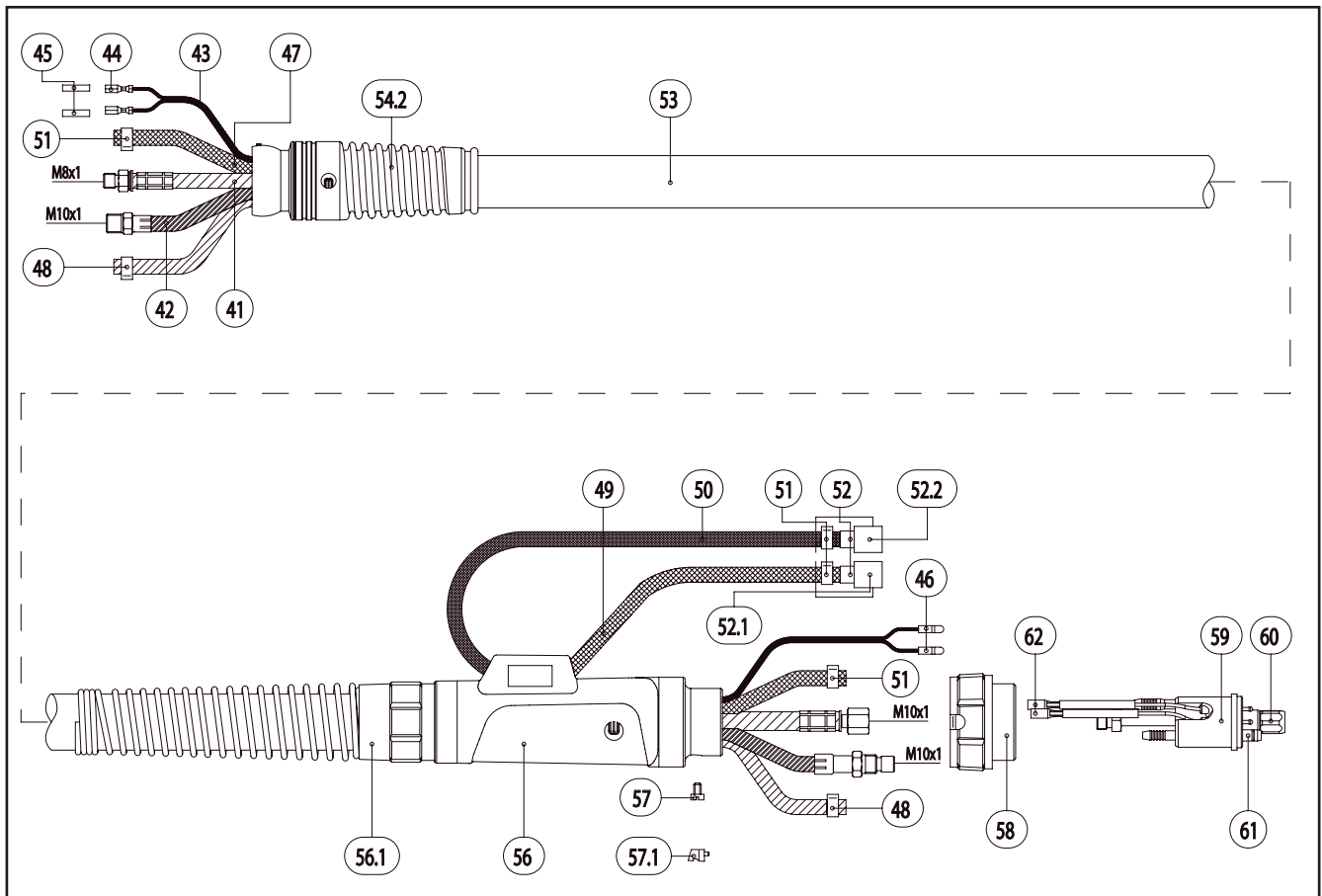
Pos.	Description	Units	Part-No.	Product-group
71	Nozzle insulator	10 Pcs.	146.0013	1032
Wear parts ABIMIG® GRIP W 555 D				
80	Contact tip holder M8; 27.0 mm; CuCrZr	10 Pcs.	142.0201.10	1033
Wear parts ABIMIG® GRIP W 555 D / 555				
90	Contact tip M8 E-Cu; Ø 0.8 (10x30)	10 Pcs.	140.0114	1030
90	Contact tip M8 E-Cu; Ø 1.0 (10x30)	10 Pcs.	140.0313	1030
90	Contact tip M8 E-Cu; Ø 1.2 (10x30)	10 Pcs.	140.0442	1030
90	Contact tip M8 E-Cu; Ø 1.6 (10x30)	10 Pcs.	140.0587	1030
90	Contact tip M8 CuCrZr; Ø 0.8 (10x30)	10 Pcs.	140.0117	1031
90	Contact tip M8 CuCrZr; Ø 1.0 (10x30)	10 Pcs.	140.0316	1031
90	Contact tip M8 CuCrZr; Ø 1.2 (10x30)	10 Pcs.	140.0445	1031
90	Contact tip M8 CuCrZr; Ø 1.6 (10x30)	10 Pcs.	140.0590	1031
90	Contact tip M8 E-Cu; Ø 0.8 for alu wire (10x30)	10 Pcs.	141.0003	1030
90	Contact tip M8 E-Cu; Ø 1.0 for alu wire (10x30)	10 Pcs.	141.0008	1030
90	Contact tip M8 E-Cu; Ø 1.2 for alu wire (10x30)	10 Pcs.	141.0015	1030
90	Contact tip M8 E-Cu; Ø 1.6 for alu wire (10x30)	10 Pcs.	141.0022	1030
90	Contact tip M8 CuCrZr silver-plated; Ø 0.8 (10x30)	10 Pcs.	147.0117	1031
90	Contact tip M8 CuCrZr silver-plated; Ø 1.0 (10x30)	10 Pcs.	147.0316	1031
90	Contact tip M8 CuCrZr silver-plated; Ø 1.2 (10x30)	10 Pcs.	147.0445	1031
90	Contact tip M8 CuCrZr silver-plated; Ø 1.6 (10x30)	10 Pcs.	147.0590	1031
100	Gas nozzle; cylindrical; ND Ø 20.0	10 Pcs.	145.0051	1037
101	Gas nozzle; conical; ND Ø 16.0	10 Pcs.	145.0085	1037
102	Gas nozzle; tapered; ND Ø 14.0	10 Pcs.	145.0132	1037
105	Spot weld gas nozzle; ND Ø 20.0	10 Pcs.	145.0179	1037
106	Gas nozzle; heavy duty; ND Ø 16.0 (only use with nozzle insulator)	10 Pcs.	145.0086	1037
120	Guide spiral liner insulated; 1.5/4.5; blue; for wire Ø 0.6 - 0.8; for 3.00 m		124.0011	1034
120	Guide spiral liner insulated; 1.5/4.5; blue; for wire Ø 0.6 - 0.8; for 4.00 m		124.0012	1034
120	Guide spiral liner insulated; 1.5/4.5; blue; for wire Ø 0.6 - 0.8; for 5.00 m		124.0015	1034

MIG/MAG Welding Torches ABIMIG® GRIP W 605 / W 605 D / W 605 C



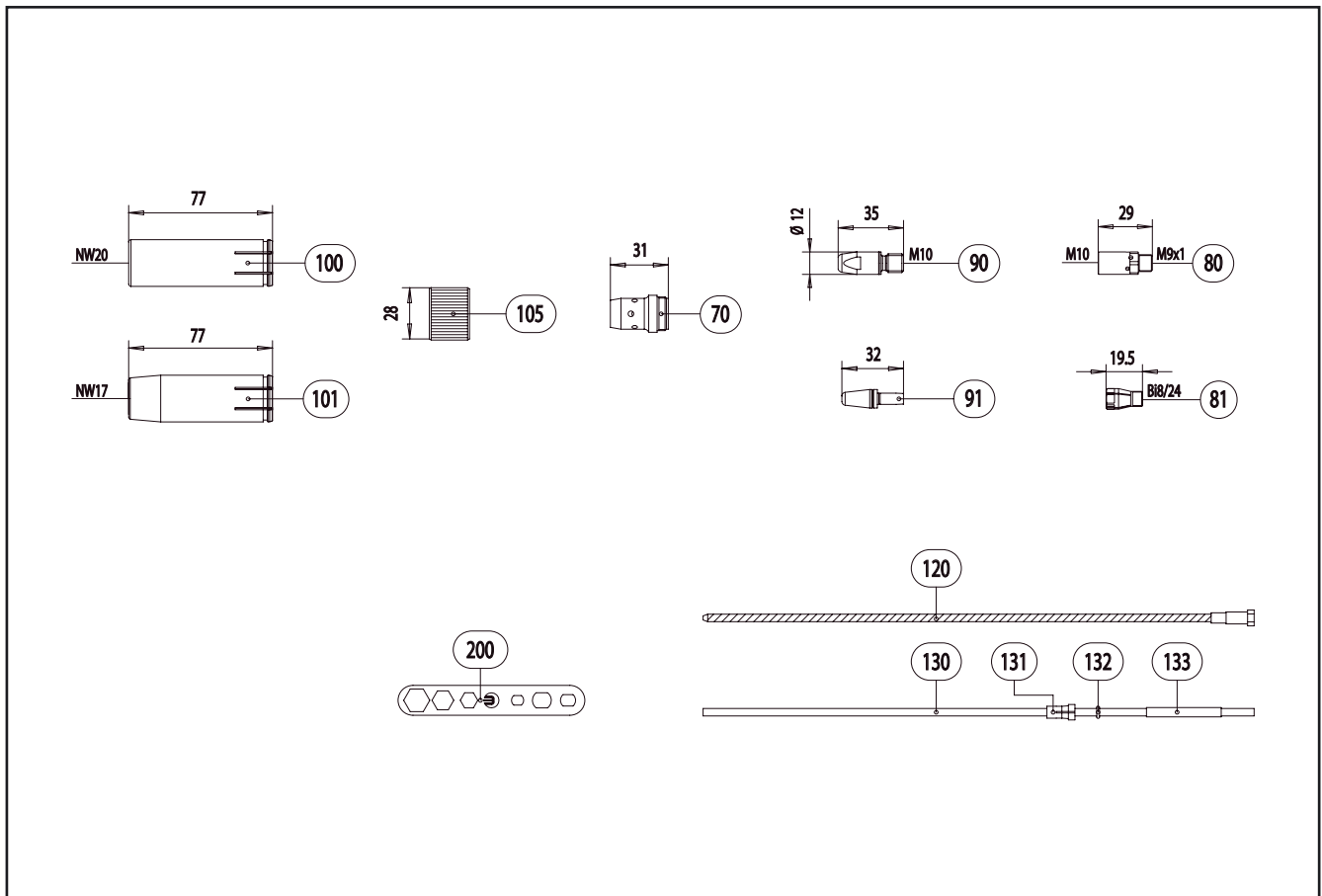
Pos.	Description	Units	Part-No.	Product-group
	Torch (D-Version)			
	ABIMIG® GRIP W 605 D; type S; central adaptor WZ-2; 3.00 m		766.0534.1	1302
	ABIMIG® GRIP W 605 D; type S; central adaptor WZ-2; 4.00 m		766.0535.1	1302
	ABIMIG® GRIP W 605 D; type S; central adaptor WZ-2; 5.00 m		766.0536.1	1302
	Torch			
	ABIMIG® GRIP W 605; type S; central adaptor WZ-2; 3.00 m		766.0537.1	1302
	ABIMIG® GRIP W 605; type S; central adaptor WZ-2; 4.00 m		766.0538.1	1302
	ABIMIG® GRIP W 605; type S; central adaptor WZ-2; 5.00 m		766.0539.1	1302
	Torch (C-Version)			
	ABIMIG® GRIP W 605 C; type S; central adaptor WZ-2; 3.00 m		766.0543.1	1302
	ABIMIG® GRIP W 605 C; type S; central adaptor WZ-2; 4.00 m		766.0544.1	1302
	ABIMIG® GRIP W 605 C; type S; central adaptor WZ-2; 5.00 m		766.0545.1	1302
	Swan neck (D-Version)			
1	Swan neck ABIMIG® GRIP W 605 D; 50° bent		766.0540.1	1309
	Swan neck			
2	Swan neck ABIMIG® GRIP W 605; 50° bent		766.0541.1	1309
	Swan neck (C-Version)			
3	Swan neck ABIMIG® GRIP W 605 C; 50° bent		766.0542.1	1309
	Handle GRIP			
11	Handle GRIP type S with trigger cpl.		180.0132.1	1395
11.1	Trigger 2-pole GRIP	5 Pcs.	185.0107.5	1395
	Cable assembly			
41	Power cable ABIMIG® GRIP / RAB Plus (PVC) for 3.00 m		115.0581	1012
41	Power cable ABIMIG® GRIP / RAB Plus (PVC) for 4.00 m		115.0582	1012
41	Power cable ABIMIG® GRIP / RAB Plus (PVC) for 5.00 m		115.0583	1012
42	Wire conduit ABIMIG® GRIP / MB GRIP cpl. for 3.00 m		156.0275	1012
42	Wire conduit ABIMIG® GRIP / MB GRIP cpl. for 4.00 m		156.0276	1012
42	Wire conduit ABIMIG® GRIP / MB GRIP cpl. for 5.00 m		156.0277	1012

MIG/MAG Welding Torches ABIMIG® GRIP W 605 / W 605 D / W 605 C



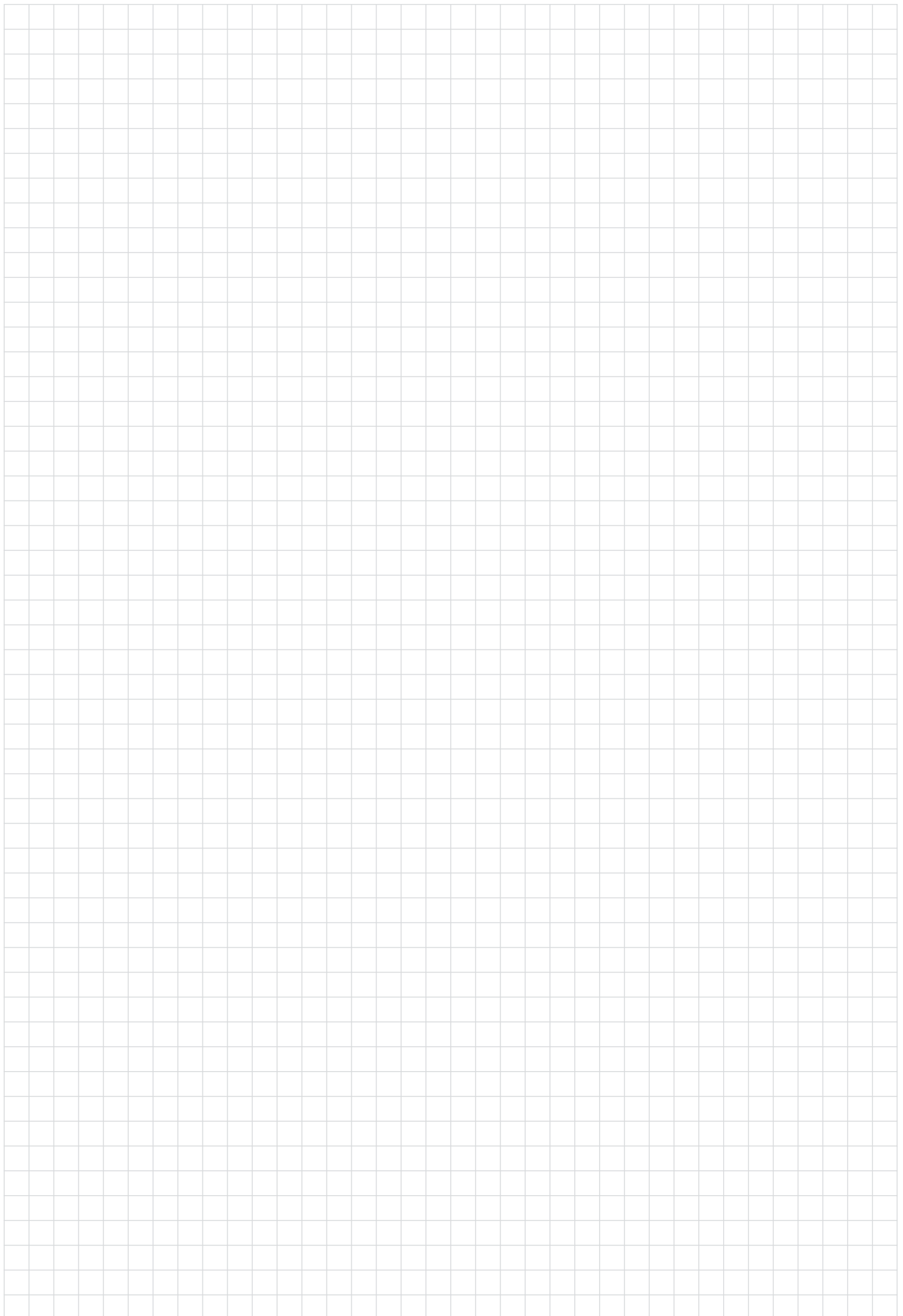
Pos.	Description	Units	Part-No.	Product-group
43	Control cable 2-pole	200 m	100.0019	4050
44	Trigger wire connector	20 Pcs.	175.0022	9010
45	Insulating sleeve	20 Pcs.	400.0119	1095
46	Plug	20 Pcs.	175.0004	9010
47	Hose 30 black Ø 4.9x1.5	100 m	109.0040	4050
48	Hose clamp Ø 8.7 mm	20 Pcs.	173.0005	9010
49	Hose 47 blue Ø 5.5x1.5	100 m	109.0057	4050
50	Hose 46 red Ø 5.5x1.5	100 m	109.0056	4050
51	Hose clamp Ø 9.0 mm with ring (mark 9.5)	20 Pcs.	173.0001	9010
52	Plug nipple ND 5 mm / Ø 6.0 mm	20 Pcs.	501.0114	9010
52.1	Fastener cap blue		501.2424	1095
52.2	Fastener cap red		501.2423	1095
53	Outer cover with cable support Ø 25x1.5 for 3.00 m		107.0079	1095
53	Outer cover with cable support Ø 25x1.5 for 4.00 m		107.0044	1095
53	Outer cover with cable support Ø 25x1.5 for 5.00 m		107.0080	1095
w/o. fig.	Outer cover Ø 25x1.5	40 m	107.0004	4050
54.2	Ball joint cable support for ABIMIG® GRIP / MB GRIP (LC)		400.1125	1095
w/o. fig.	Inner ring for ABIMIG® / ABIMIG® GRIP / MB GRIP (LC)		400.0790	1095
56	Cable support machine side big cpl. ND 31		500.0342	9010
56.1	Cable support spring		500.0233	9010
56.1	Biclip inside		400.0328	9010
56.1	Biclip outside		400.0329	9010
57	Pan head screw M4x6	20 Pcs.	000.0552	9010
57.1	Screw cap 1	20 Pcs.	500.0251	9010
58	Adaptor nut M33x2		500.0213	9010
59	Central adaptor WZ-2		501.0015	9010
60	Coupling nut M10x1	10 Pcs.	501.0082	9010
61	O-Ring 4x1	20 Pcs.	165.0002	9010

MIG/MAG Welding Torches ABIMIG® GRIP W 605 / W 605 D / W 605 C



Pos.	Description	Units	Part-No.	Product-group
62	Trigger wire connector; female	20 Pcs.	175.0003	9010
Wear parts ABIMIG® GRIP W 605 D / 605 / 605 C				
70	Gas diffuser, long life	10 Pcs.	766.0518	1332
70	Gas diffuser, plastic	10 Pcs.	766.0546.10	1332
Wear parts ABIMIG® GRIP W 605 D				
80	Contact tip holder M10; 29.0 mm; CuCrZr	10 Pcs.	142.0202.10	1033
Wear parts ABIMIG® GRIP W 605 C				
81	Collet body	10 Pcs.	766.1051	1333
Wear parts ABIMIG® GRIP W 605 D / 605				
90	Contact tip M10 E-Cu; Ø 1.0 (12x35)	10 Pcs.	140.1542.10	1030
90	Contact tip M10 E-Cu; Ø 1.2 (12x35)	10 Pcs.	140.1543.10	1030
90	Contact tip M10 E-Cu; Ø 1.6 (12x35)	10 Pcs.	140.1544.10	1030
90	Contact tip M10 CuCrZr; Ø 1.0 (12x35)	10 Pcs.	140.0348	1031
90	Contact tip M10 CuCrZr; Ø 1.2 (12x35)	10 Pcs.	140.0481	1031
90	Contact tip M10 CuCrZr; Ø 1.6 (12x35)	10 Pcs.	140.0616	1031
90	Contact tip M10 CuCrZr silver-plated; Ø 1.2 (12x35)	10 Pcs.	147.0481	1031
90	Contact tip M10 CuCrZr silver-plated; Ø 1.6 (12x35)	10 Pcs.	147.0616	1031
Wear parts ABIMIG® GRIP W 605 C				
91	Contact tip CuCrZr; Ø 1.0 (9.9x32)	10 Pcs.	140.1318	1031
91	Contact tip CuCrZr; Ø 1.2 (9.9x32)	10 Pcs.	140.1319	1031
91	Contact tip CuCrZr; Ø 1.6 (9.9x32)	10 Pcs.	140.1321	1031
Wear parts ABIMIG® GRIP W 605 D / 605 / 605 C				
100	Gas nozzle; cylindrical; ND Ø 20.0	10 Pcs.	145.0678.10	1337
101	Gas nozzle; conical; ND Ø 17.0	10 Pcs.	145.0669	1337
105	Gas nozzle adaptor	10 Pcs.	766.1070	1395
120	Guide spiral liner insulated; 2.0/4.5; red; for wire Ø 1.0 - 1.2; for 3.00 m		124.0026	1034
120	Guide spiral liner insulated; 2.0/4.5; red; for wire Ø 1.0 - 1.2; for 4.00 m		124.0031	1034
120	Guide spiral liner insulated; 2.0/4.5; red; for wire Ø 1.0 - 1.2; for 5.00 m		124.0035	1034

Notes



MIG/MAG Welding Torches

ABIMIG® liquid cooled

“Higher service lives in the high-performance range”

The tried and tested MIG/MAG Welding Torches ABIMIG® liquid cooled cover the rating spectrum up to 600 A. The handle concept ABIMIG® makes it possible to integrate all common switch and control functions.

- Dual cooling circuit for optimized torch cooling - extended service life of wear and spare parts
- Welding applications up to 600 A - excellent welding results for pulse applications
- Technically proven - 100% reliable
- Standard MB wear parts for ABIMIG® 452 - reduced stocking costs
- Split gas nozzle as well as optimally cooled gas nozzle seat on ABIMIG® 645 guarantee best possible welding results even in high performance applications
- Time-saving torch change-over due to the ABICOR BINZEL central connector



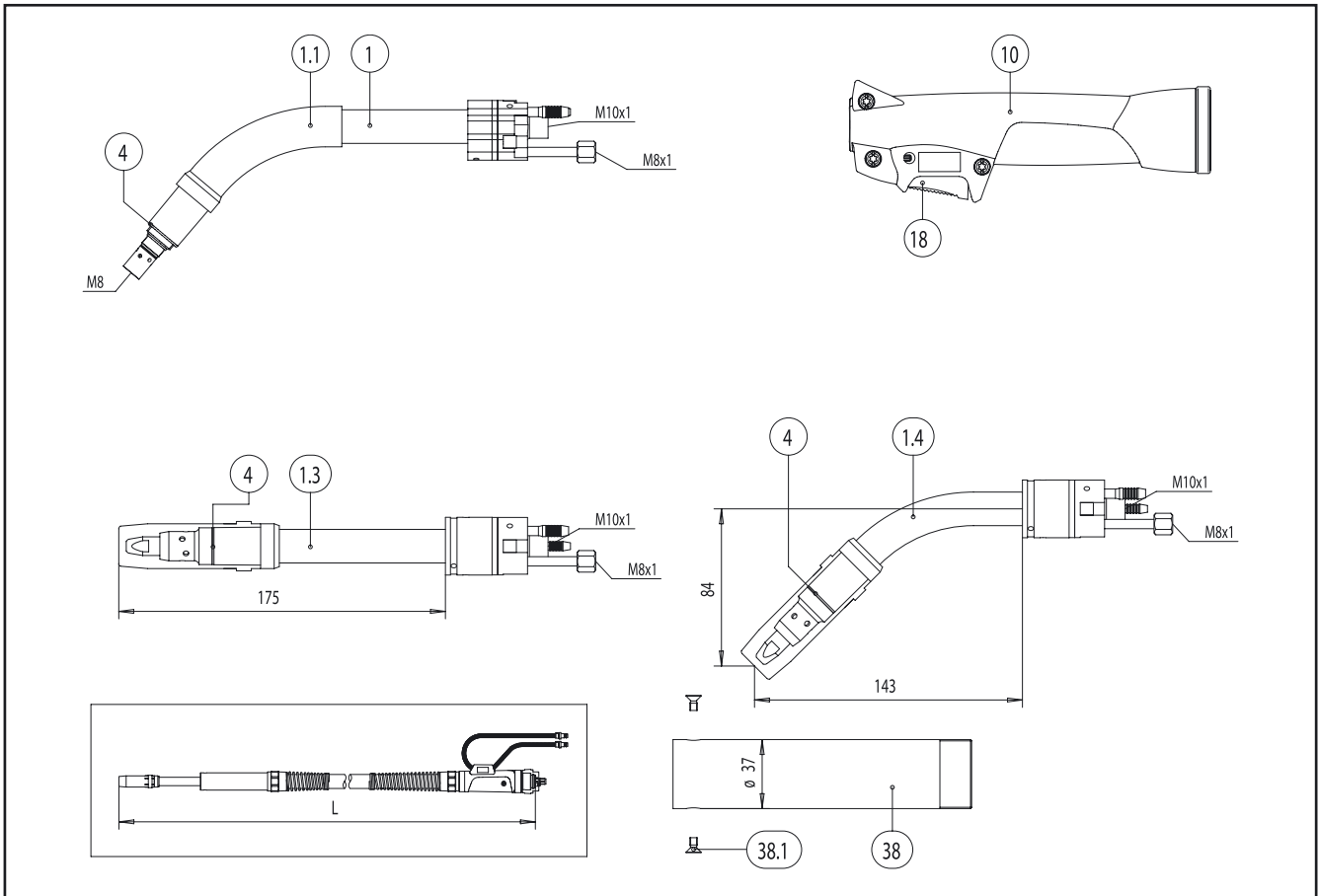
Technical data
(EN 60 974-7)

MIG/MAG Welding Torches “ABIMIG®” (liquid cooled)

Type	Rating (A)	Mixed Gases M21	Duty cycle (%)	Wire size (mm)
	DC	Impulse		
ABIMIG® 452 W	500	325	100	0.8 - 1.6
ABIMIG® 452 D W	450	300	100	0.8 - 1.6
ABIMIG® 645 W	600	450	100	0.8 - 1.6

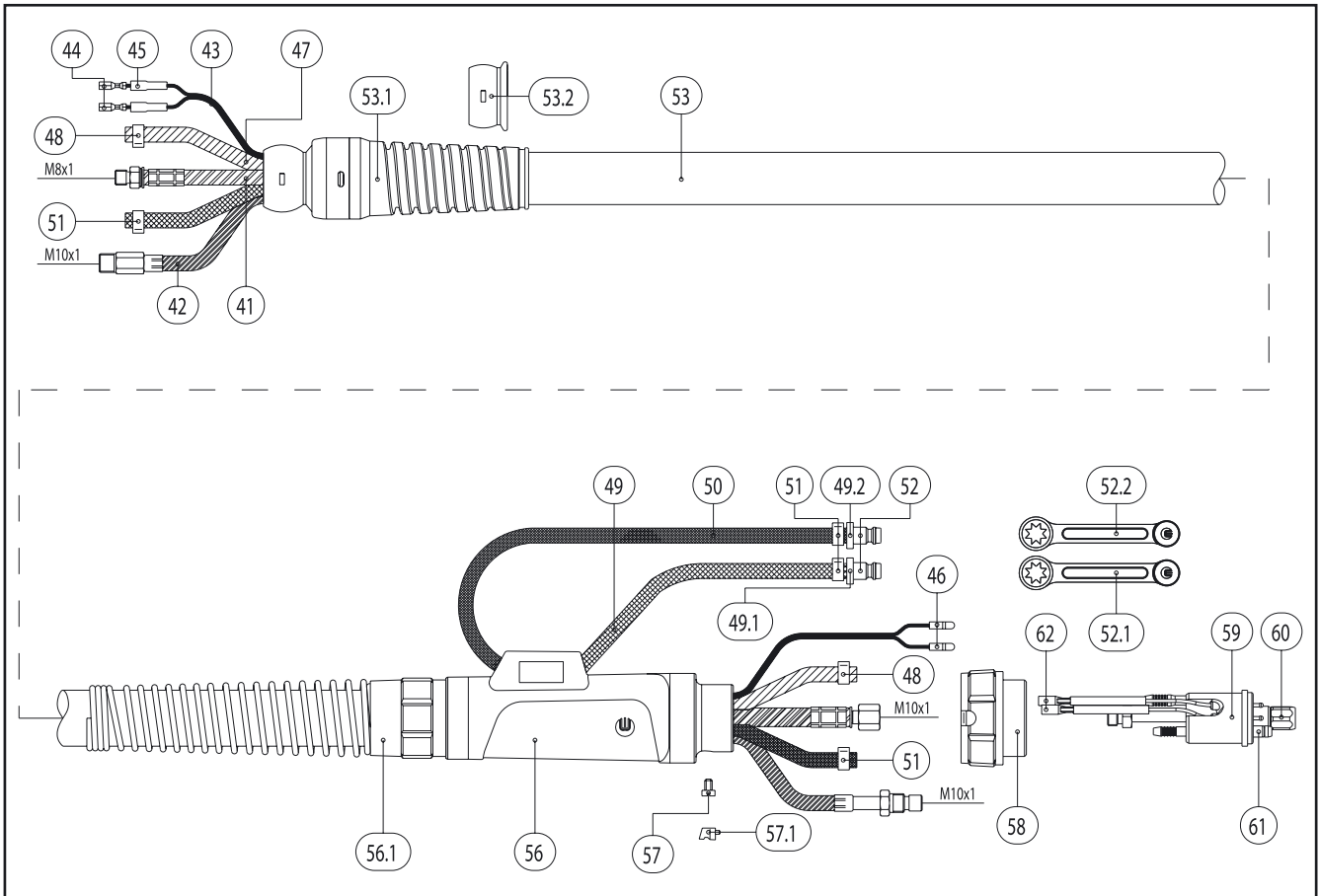
Subject to change without notice.

MIG/MAG Welding Torches ABIMIG® 452 W / 452 D W



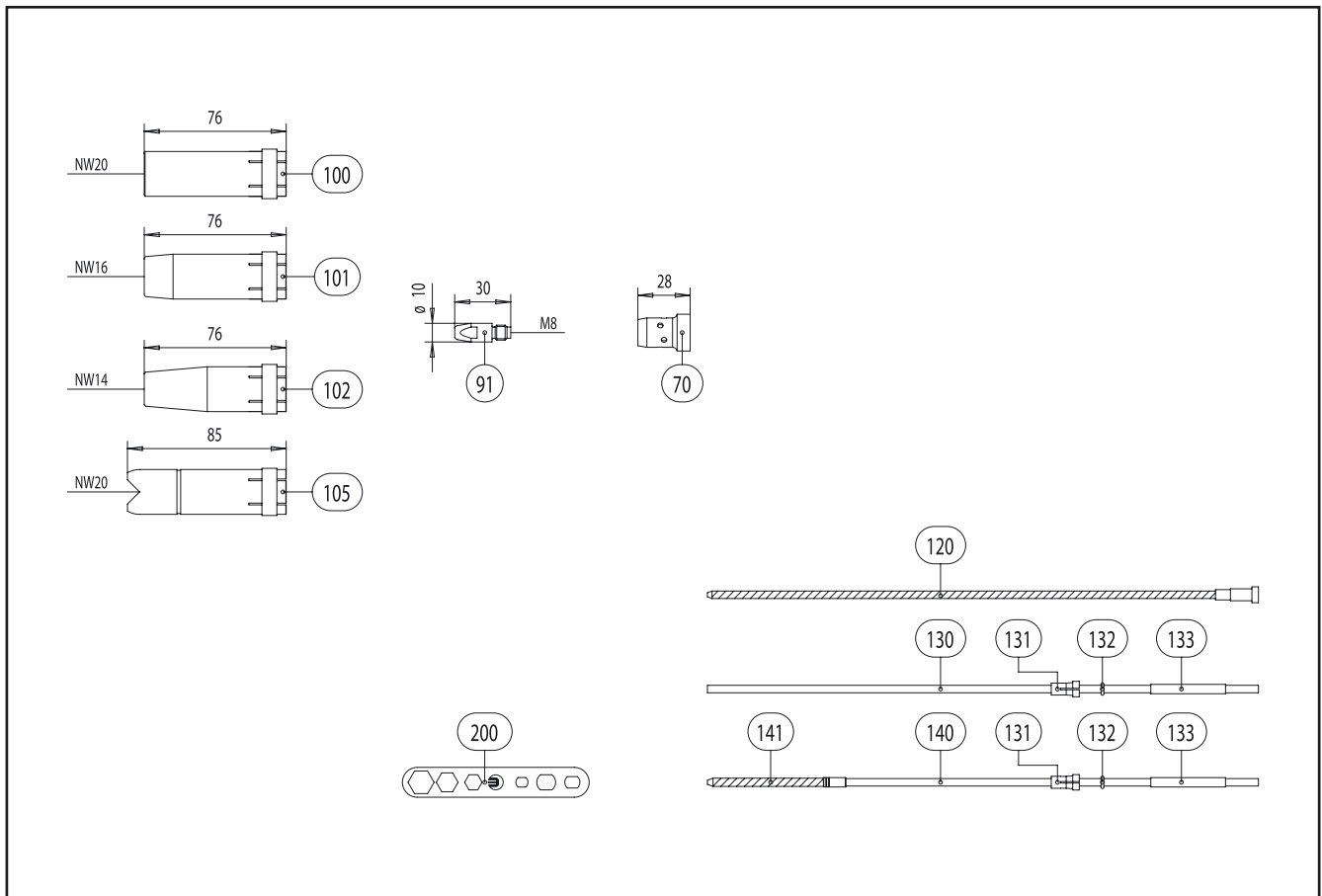
Pos.	Description	Units	Part-No.	Product-group
Torch (D-Version)				
	ABIMIG® 452 D W; central adaptor WZ-2; 3.00 m (socket joint)		766.0400	1302
	ABIMIG® 452 D W; central adaptor WZ-2; 4.00 m (socket joint)		766.0401	1302
	ABIMIG® 452 D W; central adaptor WZ-2; 5.00 m (socket joint)		766.0402	1302
	ABIMIG® 452 D W; central adaptor WZ-2; 3.00 m (socket joint short)		766.0421	1302
	ABIMIG® 452 D W; central adaptor WZ-2; 4.00 m (socket joint short)		766.0422	1302
	ABIMIG® 452 D W; central adaptor WZ-2; 5.00 m (socket joint short)		766.0423	1302
	ABIMIG® -MT 452D W; straight; handle tube; central adaptor WZ-2; 3.00 m		766.1240	1305
	ABIMIG® -MT 452D W; 45°; handle tube; central adaptor WZ-2; 3.00 m		766.1244	1305
Torch				
	ABIMIG® 452 W; central adaptor WZ-2; 3.00 m (socket joint)		766.0412	1302
	ABIMIG® 452 W; central adaptor WZ-2; 4.00 m (socket joint)		766.0413	1302
	ABIMIG® 452 W; central adaptor WZ-2; 5.00 m (socket joint)		766.0414	1302
	ABIMIG® 452 W; central adaptor WZ-2; 3.00 m (socket joint short)		766.0433	1302
	ABIMIG® 452 W; central adaptor WZ-2; 4.00 m (socket joint short)		766.0434	1302
	ABIMIG® 452 W; central adaptor WZ-2; 5.00 m (socket joint short)		766.0435	1302
	ABIMIG® -MT 452W; straight; handle tube; central adaptor WZ-2; 3.00 m		766.1248	1305
	ABIMIG® -MT 452W; 45°; handle; central adaptor WZ-2; 3.00 m		766.1251	1305
Swan neck (D-Version)				
1.1	Protective hose		766.1185	1395
2	Swan neck ABIMIG® 452D W; 50° bent		766.0350	1309
2.3	Swan neck ABIMIG® -MT 452D W; straight		766.0438	1310
2.4	Swan neck ABIMIG® -MT 452D W; 45° bent		766.0439	1310
4	Insulator	20 Pcs.	766.0230	1395
Swan neck				
w/o. fig.	Swan neck ABIMIG® 452W; 50° bent (wired-in contact tip holder)		766.0390	1309
w/o. fig.	Protective hose		766.1185	1395
w/o. fig.	Swan neck ABIMIG® -MT 452W; straight		766.0449	1310

MIG/MAG Welding Torches ABIMIG® 452 W / 452 D W



Pos.	Description	Units	Part-No.	Product-group
w/o. fig.	Swan neck ABIMIG® -MT 452W; 45° bent		766.0450	1310
w/o. fig.	Insulator	20 Pcs.	766.0230	1395
	Handle			
10	Handle ABIMIG® with trigger cpl.		180.0111	1395
18	Trigger 2-pole		185.0031	9010
	Handle tube AUT			
38	Handle tube MT		180.0114	1395
38.1	Counter sunk screw M4x8	20 Pcs.	009.0315	1095
	Cable assembly			
41	Power cable MB ERGO / MB GRIP / ABIMIG® (HDH) for 3.00 m		115.0065	1012
41	Power cable MB ERGO / MB GRIP / ABIMIG® (HDH) for 4.00 m		115.0070	1012
41	Power cable MB ERGO / MB GRIP / ABIMIG® (HDH) for 5.00 m		115.0074	1012
42	Wire conduit MB ERGO / ABIMIG® cpl. red (up to wire Ø 1.2) for 3.00 m		156.0019	1012
42	Wire conduit MB ERGO / ABIMIG® cpl. red (up to wire Ø 1.2) for 4.00 m		156.0023	1012
42	Wire conduit MB ERGO / ABIMIG® cpl. red (up to wire Ø 1.2) for 5.00 m		156.0026	1012
42	Wire conduit MB ERGO / ABIMIG® cpl. blue (wire Ø 1.6 onwards) for 3.00 m		155.0008	1012
42	Wire conduit MB ERGO / ABIMIG® cpl. blue (wire Ø 1.6 onwards) for 4.00 m		155.0009	1012
42	Wire conduit MB ERGO / ABIMIG® cpl. blue (wire Ø 1.6 onwards) for 5.00 m		155.0010	1012
43	Control cable 2-pole	200 m	100.0019	4050
44	Trigger wire connector	20 Pcs.	175.0022	9010
45	Insulating sleeve	20 Pcs.	400.0119	1095
46	Plug	20 Pcs.	175.0004	9010
47	Hose 30 black Ø 4.9x1.5	100 m	109.0040	4050
48	Hose clamp Ø 8.7 mm	20 Pcs.	171.0002	9010
49	Hose 42 HDH black; Ø 5.5x1.5	40 m	109.0052	4050
49.1	Code colour ring blue	20 Pcs.	501.2167	9010
49.2	Code colour ring red	20 Pcs.	501.2166	9010
50	Hose 46 black Ø 5.5x1.5 cpl. with plug nipple ND 5; 0.6 m		103.0108	1095

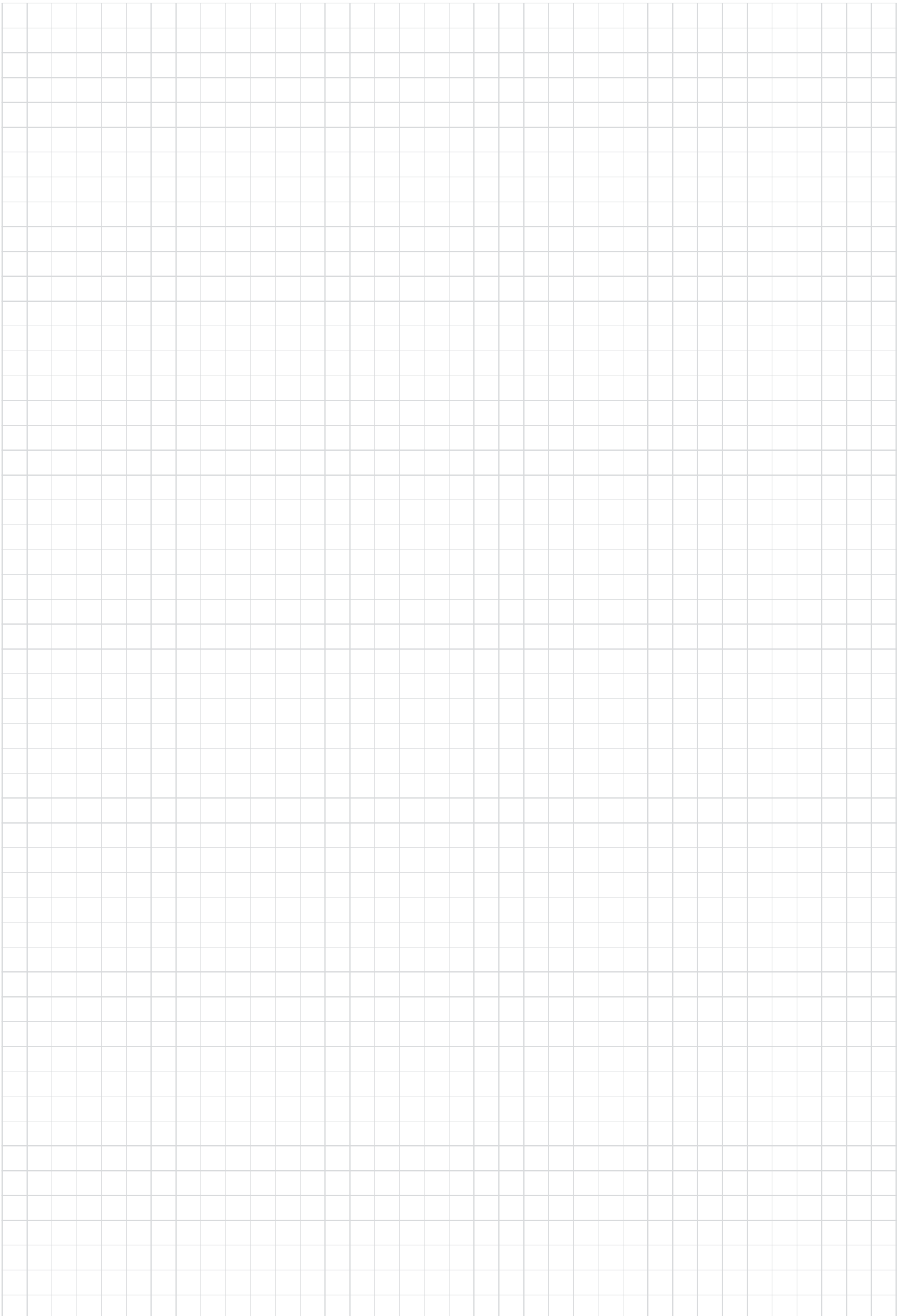
MIG/MAG Welding Torches ABIMIG® 452 W / 452 D W



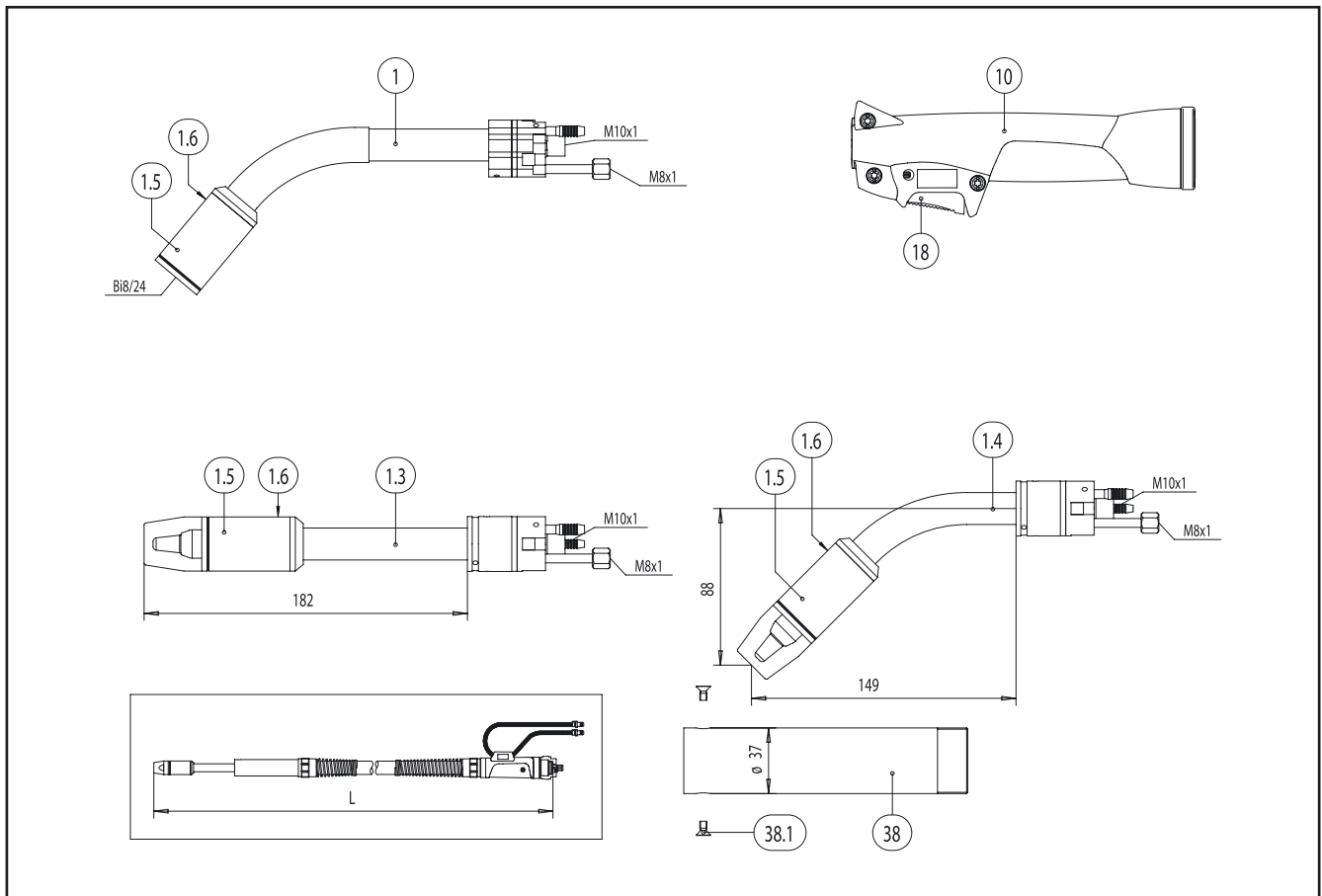
Pos.	Description	Units	Part-No.	Product-group
51	Hose clamp Ø 9.5 mm with ring (mark 10.0)	20 Pcs.	173.0002	9010
52	Plug nipple ND 5 mm / Ø 6.0 mm	20 Pcs.	501.0114	9010
52.1	Fastener cap red		501.2423	1095
52.2	Fastener cap blue		501.2424	1095
53	Outer cover Ø 25x1.5	40 m	107.0004	4050
53.1	Socket joint cpl.		400.0949	1095
53.2	Socket joint short		400.1213	1095
w/o. fig.	Inner ring for ABIMIG® / ABIMIG® GRIP / MB GRIP (LC)		400.0790	1095
54	Cable support spring ND 19		500.0225	9010
56	Cable support machine side big cpl. ND 31		500.0342	9010
56	Cable support machine side		501.2379	9010
56	Hose guide		500.0334	9010
56.1	Connecting set machine side for ND 29		501.2236	9010
56.1	Cable support spring		500.0233	9010
56.1	Biclip inside		400.0328	9010
56.1	Biclip outside		400.0329	9010
57	Pan head screw M4x6	20 Pcs.	000.0552	9010
57.1	Screw cap 1	20 Pcs.	500.0251	9010
58	Adaptor nut M33x2		500.0213	9010
59	Central adaptor WZ-2		501.0015	9010
59	Central adaptor WZ-2 without control leads		501.0034	9010
60	Coupling nut M10x1	10 Pcs.	501.0082	9010
61	O-Ring 4x1	20 Pcs.	165.0002	9010
62	Trigger wire connector; female	20 Pcs.	175.0003	9010
	Wear parts ABIMIG® 452 W / 452 D W			
70	Gas diffuser, white	10 Pcs.	030.0145	1032
70	Gas diffuser, long life	10 Pcs.	030.0037	1032
70	Gas diffuser, ceramic	10 Pcs.	030.0190	1032

MIG/MAG Welding Torches ABIMIG® 452 W / 452 D W

Pos.	Description	Units	Part-No.	Product-group
	Wear parts ABIMIG® 452 D W			
82	Contact tip holder M8; 25.0 mm (short)	10 Pcs.	142.0022	1033
83	Contact tip holder M8; 29.0 mm (long)	10 Pcs.	142.0027	1033
	Wear parts ABIMIG® 452 W / 452 D W			
91	Contact tip M8 E-Cu; Ø 0.8 (10x30)	10 Pcs.	140.0114	1030
91	Contact tip M8 E-Cu; Ø 1.0 (10x30)	10 Pcs.	140.0313	1030
91	Contact tip M8 E-Cu; Ø 1.2 (10x30)	10 Pcs.	140.0442	1030
91	Contact tip M8 E-Cu; Ø 1.6 (10x30)	10 Pcs.	140.0587	1030
91	Contact tip M8 CuCrZr; Ø 0.8 (10x30)	10 Pcs.	140.0117	1031
91	Contact tip M8 CuCrZr; Ø 1.0 (10x30)	10 Pcs.	140.0316	1031
91	Contact tip M8 CuCrZr; Ø 1.2 (10x30)	10 Pcs.	140.0445	1031
91	Contact tip M8 CuCrZr; Ø 1.6 (10x30)	10 Pcs.	140.0590	1031
91	Contact tip M8 CuCrZr silver-plated; Ø 0.8 (10x30)	10 Pcs.	147.0117	1031
91	Contact tip M8 E-Cu; Ø 0.8 for alu wire (10x30)	10 Pcs.	141.0003	1030
91	Contact tip M8 E-Cu; Ø 1.0 for alu wire (10x30)	10 Pcs.	141.0008	1030
91	Contact tip M8 CuCrZr silver-plated; Ø 1.0 (10x30)	10 Pcs.	147.0316	1031
91	Contact tip M8 CuCrZr silver-plated; Ø 1.2 (10x30)	10 Pcs.	147.0445	1031
91	Contact tip M8 E-Cu; Ø 1.2 for alu wire (10x30)	10 Pcs.	141.0015	1030
91	Contact tip M8 E-Cu; Ø 1.6 for alu wire (10x30)	10 Pcs.	141.0022	1030
91	Contact tip M8 CuCrZr silver-plated; Ø 1.6 (10x30)	10 Pcs.	147.0590	1031
100	Gas nozzle; cylindrical; ND Ø 20.0	10 Pcs.	145.0051	1037
101	Gas nozzle; conical; ND Ø 16.0	10 Pcs.	145.0085	1037
102	Gas nozzle; tapered; ND Ø 14.0	10 Pcs.	145.0132	1037
105	Spot weld gas nozzle; ND Ø 20.0	10 Pcs.	145.0179	1037
w/o. fig.	Gas nozzle; heavy duty; ND Ø 16.0 (only use with nozzle insulator)	10 Pcs.	145.0086	1037
w/o. fig.	Nozzle insulator	10 Pcs.	146.0013	1032
120	Guide spiral liner insulated; 1.5/4.0; blue; for wire Ø 0.8; for 3.00 m		124.0137	1334
120	Guide spiral liner insulated; 1.5/4.0; blue; for wire Ø 0.8; for 4.00 m		124.0138	1334
120	Guide spiral liner insulated; 1.5/4.0; blue; for wire Ø 0.8; for 5.00 m		124.0139	1334
120	Guide spiral liner insulated; 2.0/4.5; red; for wire Ø 1.0 - 1.2; for 3.00 m		124.0111	1334
120	Guide spiral liner insulated; 2.0/4.5; red; for wire Ø 1.0 - 1.2; for 4.00 m		124.0112	1334
120	Guide spiral liner insulated; 2.0/4.5; red; for wire Ø 1.0 - 1.2; for 5.00 m		124.0113	1334
120	Guide spiral liner insulated; 2.5/4.5; yellow; for wire Ø 1.6; for 3.00 m		124.0114	1334
120	Guide spiral liner insulated; 2.5/4.5; yellow; for wire Ø 1.6; for 4.00 m		124.0115	1334
120	Guide spiral liner insulated; 2.5/4.5; yellow; for wire Ø 1.6; for 5.00 m		124.0116	1334
130	PTFE core liner 1.5/4.0; blue; wire electrode Ø 0.8 - 1.0; for 3.00 m		126.0005	1034
130	PTFE core liner 1.5/4.0; blue; wire electrode Ø 0.8 - 1.0; for 4.00 m		126.0008	1034
130	PTFE core liner 1.5/4.0; blue; wire electrode Ø 0.8 - 1.0; for 5.00 m		126.0011	1034
130	PTFE core liner 2.0/4.0; red; wire electrode Ø 1.0 - 1.2; for 3.00 m		126.0021	1034
130	PTFE core liner 2.0/4.0; red; wire electrode Ø 1.0 - 1.2; for 4.00 m		126.0026	1034
130	PTFE core liner 2.0/4.0; red; wire electrode Ø 1.0 - 1.2; for 5.00 m		126.0028	1034
130	PTFE core liner 2.7/4.7; yellow; wire electrode Ø 1.6; for 3.00 m		126.0039	1034
130	PTFE core liner 2.7/4.7; yellow; wire electrode Ø 1.6; for 4.00 m		126.0042	1034
130	PTFE core liner 2.7/4.7; yellow; wire electrode Ø 1.6; for 5.00 m		126.0045	1034
130	PTFE carbon core liner 1.5/4.0; wire electrode Ø 0.8 - 1.0; for 3.00 m		127.0002	1034
130	PTFE carbon core liner 1.5/4.0; wire electrode Ø 0.8 - 1.0; for 4.00 m		127.0003	1034
130	PTFE carbon core liner 1.5/4.0; wire electrode Ø 0.8 - 1.0; for 5.00 m		127.0004	1034
130	PTFE carbon core liner 2.0/4.0; wire electrode Ø 1.0 - 1.2; for 3.00 m		127.0005	1034
130	PTFE carbon core liner 2.0/4.0; wire electrode Ø 1.0 - 1.2; for 4.00 m		127.0007	1034
130	PTFE carbon core liner 2.0/4.0; wire electrode Ø 1.0 - 1.2; for 5.00 m		127.0008	1034
130	PTFE carbon core liner 2.7/4.7; wire electrode Ø 1.6; for 3.00 m		127.0010	1034
130	PTFE carbon core liner 2.7/4.7; wire electrode Ø 1.6; for 4.00 m		127.0012	1034
130	PTFE carbon core liner 2.7/4.7; wire electrode Ø 1.6; for 5.00 m		127.0013	1034
131	Nipple for core liner at Ø 4.0	20 Pcs.	131.0001	1095
131	Nipple for core liner at Ø 4.7	20 Pcs.	131.0002	1095
132	O-Ring 3.5x1.5	20 Pcs.	165.0008	9010

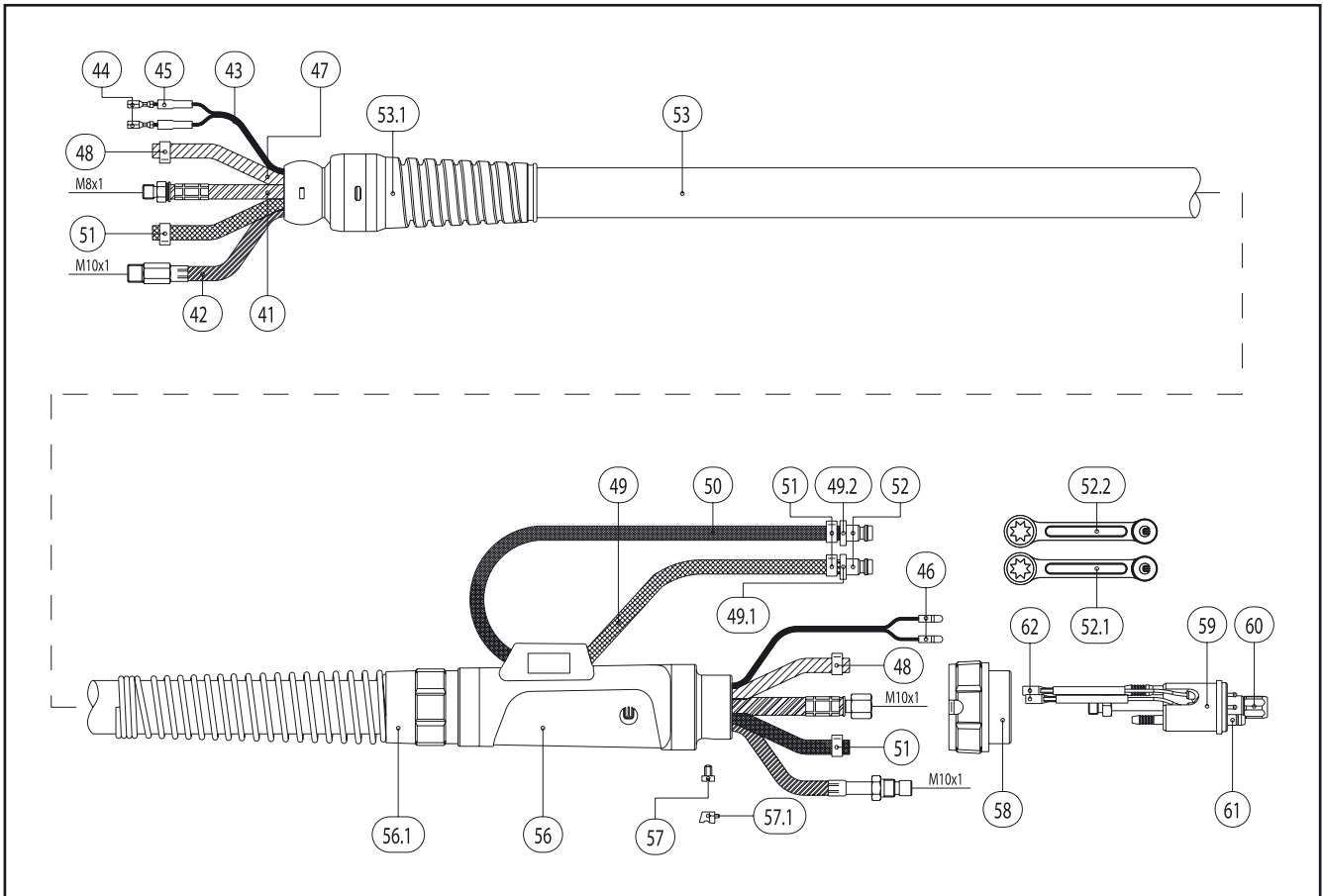


MIG/MAG Welding Torch ABIMIG® 645 W



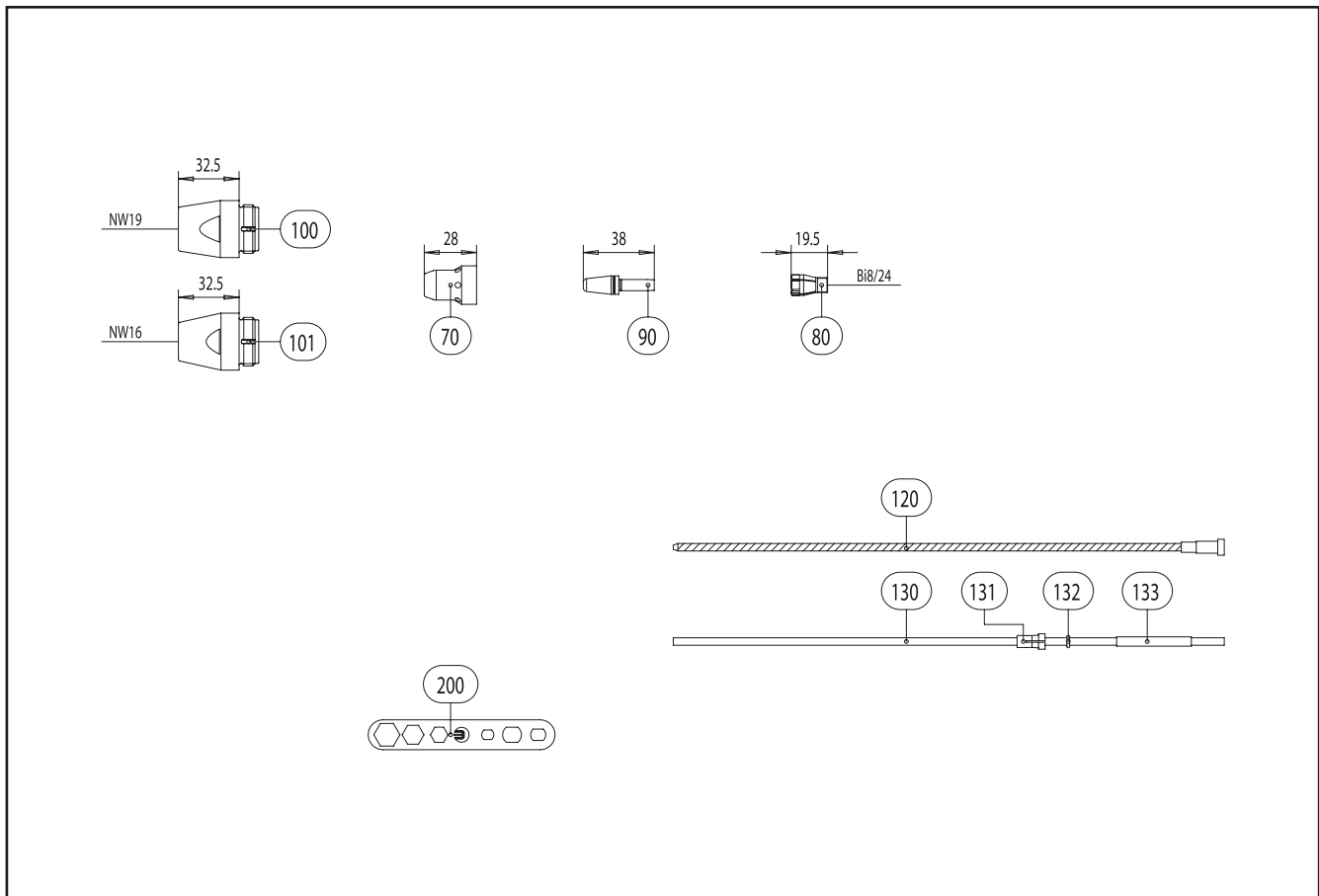
Pos.	Description	Units	Part-No.	Product-group
Torch				
	ABIMIG® 645 W; central adaptor WZ-2; 3.00 m (socket joint)		766.0406	1302
	ABIMIG® 645 W; central adaptor WZ-2; 4.00 m (socket joint)		766.0407	1302
	ABIMIG® 645 W; central adaptor WZ-2; 5.00 m (socket joint)		766.0408	1302
	ABIMIG® -MT 645W; straight; handle tube; central adaptor WZ-2; 3.00 m		766.1254	1305
	ABIMIG® -MT 645W; 45°; handle tube; central adaptor WZ-2; 3.00 m		766.1256	1305
Swan neck				
1	Swan neck ABIMIG® 645W; 50° bent		766.0370	1309
1.3	Swan neck ABIMIG® -MT 645W; straight		766.0459	1310
1.4	Swan neck ABIMIG® -MT 645W; 45° bent		766.0460	1310
1.5	Cooling jacket cpl.		766.0377	1395
1.6	O-Ring 18x1.5	20 Pcs.	165.0016	9010
Handle				
10	Handle ABIMIG® with trigger cpl.		180.0111	1395
18	Trigger 2-pole		185.0031	9010
Handle tube AUT				
38	Handle tube MT		180.0114	1395
38.1	Counter sunk screw M4x8	20 Pcs.	009.0315	1095
Cable assembly				
41	Power cable MB ERGO / MB GRIP / ABIMIG® (HDH) for 3.00 m		115.0065	1012
41	Power cable MB ERGO / MB GRIP / ABIMIG® (HDH) for 4.00 m		115.0070	1012
41	Power cable MB ERGO / MB GRIP / ABIMIG® (HDH) for 5.00 m		115.0074	1012
42	Wire conduit MB ERGO / ABIMIG® cpl. red (up to wire Ø 1.2) for 3.00 m		156.0019	1012
42	Wire conduit MB ERGO / ABIMIG® cpl. red (up to wire Ø 1.2) for 4.00 m		156.0023	1012
42	Wire conduit MB ERGO / ABIMIG® cpl. red (up to wire Ø 1.2) for 5.00 m		156.0026	1012
42	Wire conduit MB ERGO / ABIMIG® cpl. blue (wire Ø 1.6 onwards) for 3.00 m		155.0008	1012
42	Wire conduit MB ERGO / ABIMIG® cpl. blue (wire Ø 1.6 onwards) for 4.00 m		155.0009	1012
42	Wire conduit MB ERGO / ABIMIG® cpl. blue (wire Ø 1.6 onwards) for 5.00 m		155.0010	1012

MIG/MAG Welding Torch ABIMIG® 645 W



Pos.	Description	Units	Part-No.	Product-group
43	Control cable 2-pole	200 m	100.0019	4050
44	Trigger wire connector	20 Pcs.	175.0022	9010
45	Insulating sleeve	20 Pcs.	400.0119	1095
46	Plug	20 Pcs.	175.0004	9010
47	Hose 30 black Ø 4.9x1.5	100 m	109.0040	4050
48	Hose clamp Ø 8.7 mm	20 Pcs.	171.0002	9010
49	Hose 42 HDH black; Ø 5.5x1.5	40 m	109.0052	4050
49.1	Code colour ring blue	20 Pcs.	501.2167	9010
49.2	Code colour ring red	20 Pcs.	501.2166	9010
50	Hose 46 black Ø 5.5x1.5 cpl. with plug nipple ND 5; 0.6 m		103.0108	1095
51	Hose clamp Ø 9.5 mm with ring (mark 10.0)	20 Pcs.	173.0002	9010
52	Plug nipple ND 5 mm / Ø 6.0 mm	20 Pcs.	501.0114	9010
52.1	Fastener cap red		501.2423	1095
52.2	Fastener cap blue		501.2424	1095
53	Outer cover Ø 25x1.5	40 m	107.0004	4050
53.1	Socket joint cpl.		400.0949	1095
56	Cable support machine side big cpl. ND 31		500.0342	9010
56	Cable support machine side		501.2379	9010
56	Hose guide		500.0334	9010
56.1	Connecting set machine side for ND 29		501.2236	9010
56.1	Cable support spring		500.0233	9010
56.1	Biclip inside		400.0328	9010
56.1	Biclip outside		400.0329	9010
57	Pan head screw M4x6	20 Pcs.	000.0552	9010
57.1	Screw cap 1	20 Pcs.	500.0251	9010
58	Adaptor nut M33x2		500.0213	9010
59	Central adaptor WZ-2		766.0501	1395
59	Central adaptor WZ-2 without control leads		766.0075	1395

MIG/MAG Welding Torch ABIMIG® 645 W

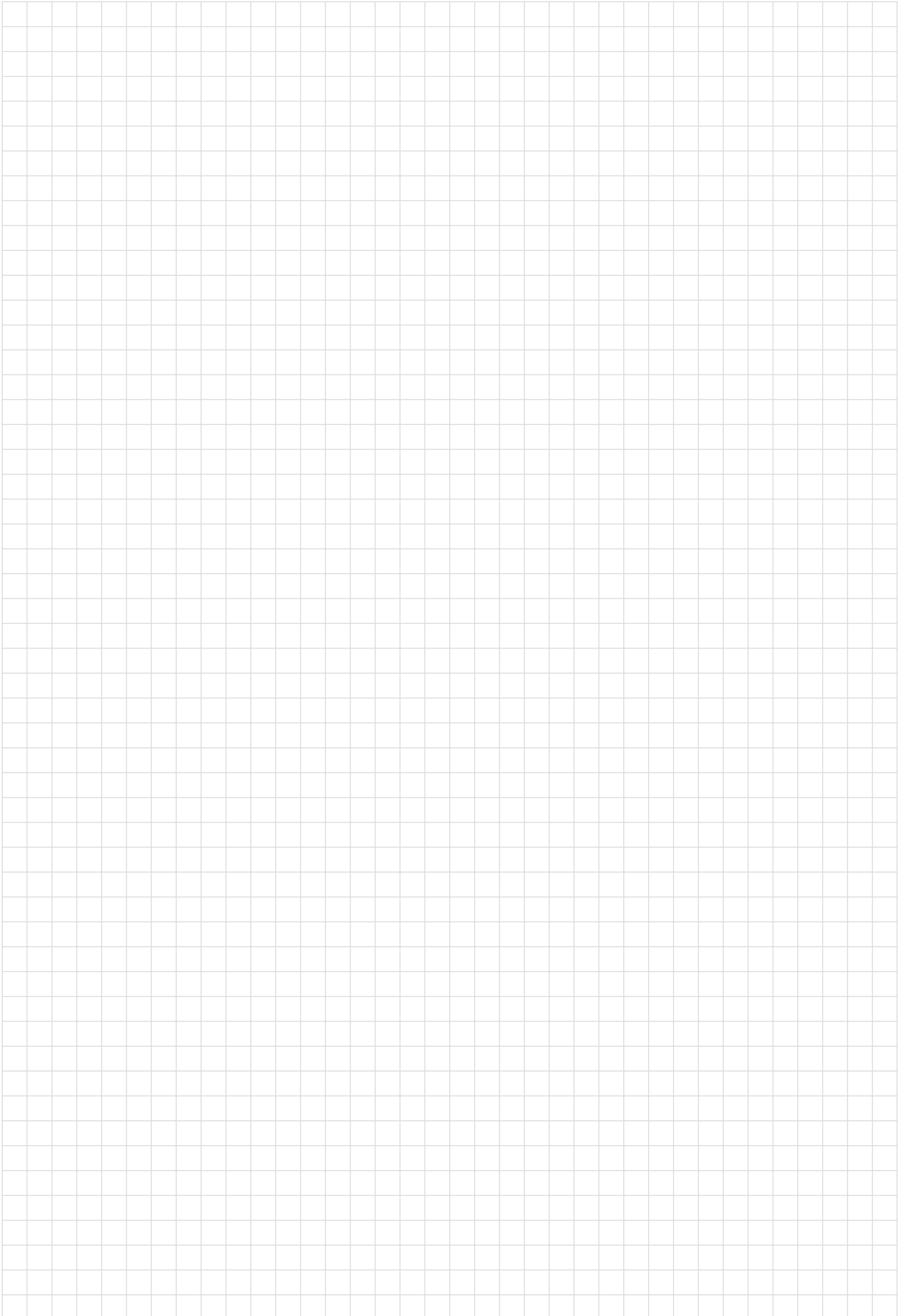


Pos.	Description	Units	Part-No.	Product-group
59.1	Central adaptor WZ-2 with spring-finger connector		766.0503	1395
60	Coupling nut M10x1	10 Pcs.	501.0082	9010
61	O-Ring 4x1	20 Pcs.	165.0002	9010
62	Trigger wire connector; female	20 Pcs.	175.0003	9010
	Wear parts			
70	Gas diffuser, white	10 Pcs.	766.1095	1332
70	Gas diffuser, long life	10 Pcs.	766.1078	1332
70	Gas diffuser, ceramic	10 Pcs.	766.1135	1332
80	Collet body	10 Pcs.	766.1051	1333
90	Contact tip CuCrZr; Ø 1.0 (9.9x38)	10 Pcs.	140.1312	1031
90	Contact tip CuCrZr; Ø 1.2 (9.9x38)	10 Pcs.	140.1313	1031
90	Contact tip CuCrZr; Ø 1.6 (9.9x38)	10 Pcs.	140.1315	1031
100	Gas nozzle; cylindrical; ND Ø 19.0		766.1075	1337
101	Gas nozzle; conical; ND Ø 16.0	2 Pcs.	766.1074	1337
120	Guide spiral liner insulated; 2.0/4.5; red; for wire Ø 1.0 - 1.2; for 3.00 m		124.0111	1334
120	Guide spiral liner insulated; 2.0/4.5; red; for wire Ø 1.0 - 1.2; for 4.00 m		124.0112	1334
120	Guide spiral liner insulated; 2.0/4.5; red; for wire Ø 1.0 - 1.2; for 5.00 m		124.0113	1334
120	Guide spiral liner insulated; 2.5/4.5; yellow; for wire Ø 1.6; for 3.00 m		124.0114	1334
120	Guide spiral liner insulated; 2.5/4.5; yellow; for wire Ø 1.6; for 4.00 m		124.0115	1334
120	Guide spiral liner insulated; 2.5/4.5; yellow; for wire Ø 1.6; for 5.00 m		124.0116	1334
130	PTFE core liner 2.0/4.0; red; wire electrode Ø 1.0 - 1.2; for 3.00 m		126.0021	1034
130	PTFE core liner 2.0/4.0; red; wire electrode Ø 1.0 - 1.2; for 4.00 m		126.0026	1034
130	PTFE core liner 2.0/4.0; red; wire electrode Ø 1.0 - 1.2; for 5.00 m		126.0028	1034
130	PTFE core liner 2.7/4.7; yellow; wire electrode Ø 1.6; for 3.00 m		126.0039	1034
130	PTFE core liner 2.7/4.7; yellow; wire electrode Ø 1.6; for 4.00 m		126.0042	1034
130	PTFE core liner 2.7/4.7; yellow; wire electrode Ø 1.6; for 5.00 m		126.0045	1034
130	Plastic core liner; 2.0; petrol; for wire Ø 1.0 - 1.2; for 3.00 m		126.0069	1334
130	Plastic core liner; 2.0; petrol; for wire Ø 1.0 - 1.2; for 4.00 m		126.0070	1334

MIG/MAG Welding Torch ABIMIG® 645 W

Pos.	Description	Units	Part-No.	Product-group
130	Plastic core liner; 2.0; petrol; for wire Ø 1.0 - 1.2; for 5.00 m		126.0071	1334
130	Plastic core liner; 2.4; petrol; for wire Ø 1.6; for 3.00 m		126.0072	1334
130	Plastic core liner; 2.4; petrol; for wire Ø 1.6; for 4.00 m		126.0073	1334
130	Plastic core liner; 2.4; petrol; for wire Ø 1.6; for 5.00 m		126.0074	1334
130	PTFE carbon core liner 2.0/4.0; wire electrode Ø 1.0 - 1.2; for 3.00 m		127.0005	1034
130	PTFE carbon core liner 2.0/4.0; wire electrode Ø 1.0 - 1.2; for 4.00 m		127.0007	1034
130	PTFE carbon core liner 2.0/4.0; wire electrode Ø 1.0 - 1.2; for 5.00 m		127.0008	1034
130	PTFE carbon core liner 2.7/4.7; wire electrode Ø 1.6; for 3.00 m		127.0010	1034
130	PTFE carbon core liner 2.7/4.7; wire electrode Ø 1.6; for 4.00 m		127.0012	1034
130	PTFE carbon core liner 2.7/4.7; wire electrode Ø 1.6; for 5.00 m		127.0013	1034
131	Nipple for core liner at Ø 2.0	20 Pcs.	131.0001	1095
131	Nipple for core liner at Ø 2.7	20 Pcs.	131.0002	1095
132	O-Ring 3.5x1.5	20 Pcs.	165.0008	9010
133	Guide tube for core liners up to Ø 4.0 (200 mm)		129.0461	1095
200	Spanner		191.0001	9010

Notes





MIG/MAG Welding Torches Push-Pull *PP* air and liquid cooled "The long-distance torches ..."

The Push-Pull welding torches of the product line "PP" guarantee constant and problem-free wire feeding. Push-pull guns are ideally suited for hard-to-feed wire like aluminium, thin wire and for extended cable assemblies. Due to their reliability the torches have become the industry standard in shipbuilding, container and tank manufacture, and are also used extensively in the construction of automobiles and railway vehicles. All torches are corresponding in their construction to the well-established MB welding torches of the same style.

- Constant and problem-free wire feeding
- Optimum cooling of the torch, extending torch life
- Time-saving torch change-over due to the ABICOR BINZEL central plug- and central connecting system
- Air cooled up to 300 A
- Liquid cooled up to 350 A



Technical data MIG/MAG Welding Torches Push-Pull "PP" (air cooled)
(EN 60 974-7) Type

Type	Rating (A)		Duty cycle (%)	Wire size (mm)
	CO ₂	Mixed Gases M21		
PP 24 D	250	220	35	0.8 - 1.2
PP 26 D	230	200	60	0.8 - 1.2
PP 36 D	300	270	60	0.8 - 1.2

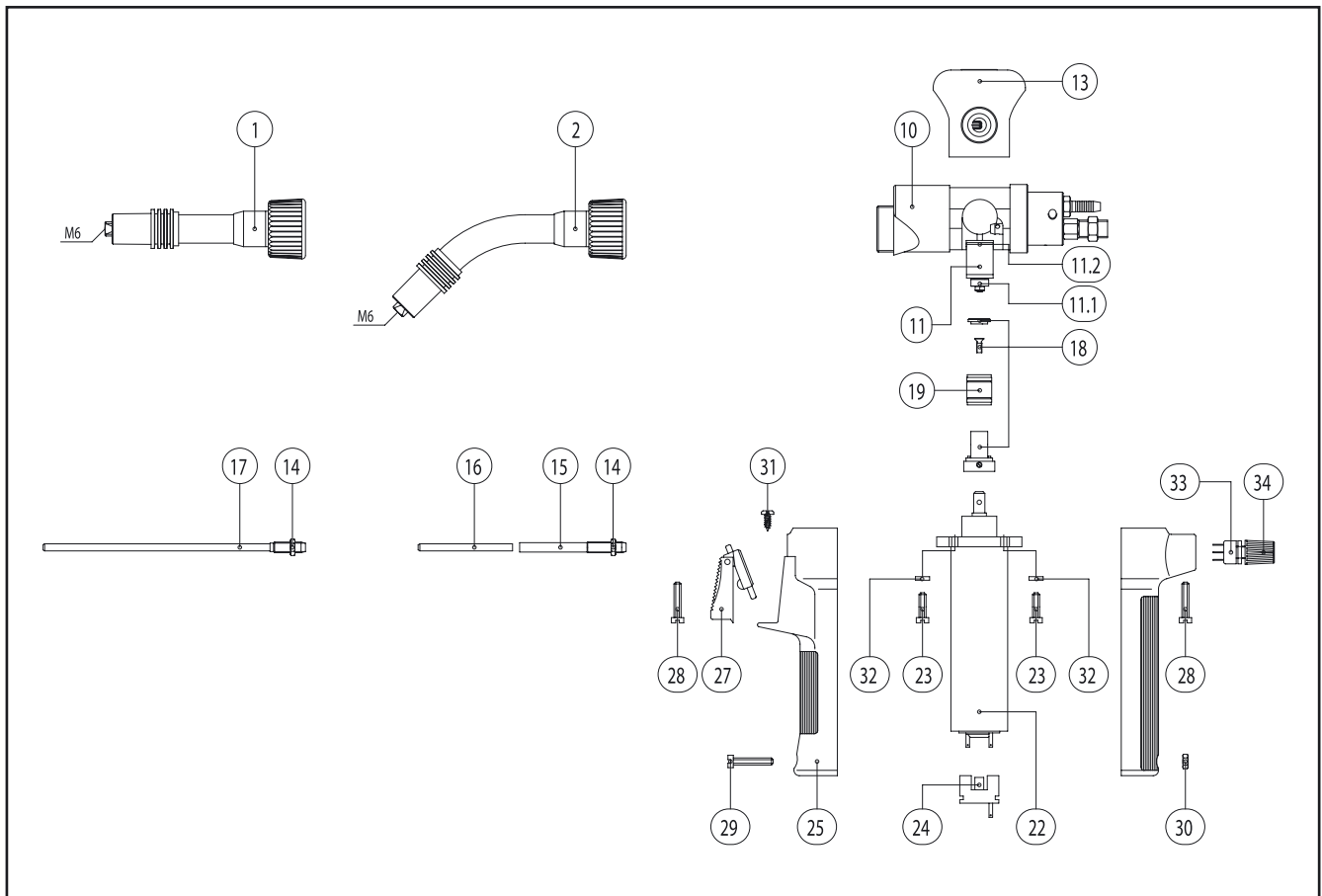
Subject to change without notice.

MIG/MAG Welding Torches Push-Pull "PP" (liquid cooled)

Type	Rating (A)		Duty cycle (%)	Wire size (mm)
	CO ₂	Mixed Gases M21		
PP 240 D	270	240	100	0.8 - 1.2
PP 401 D	350	320	100	0.8 - 1.6

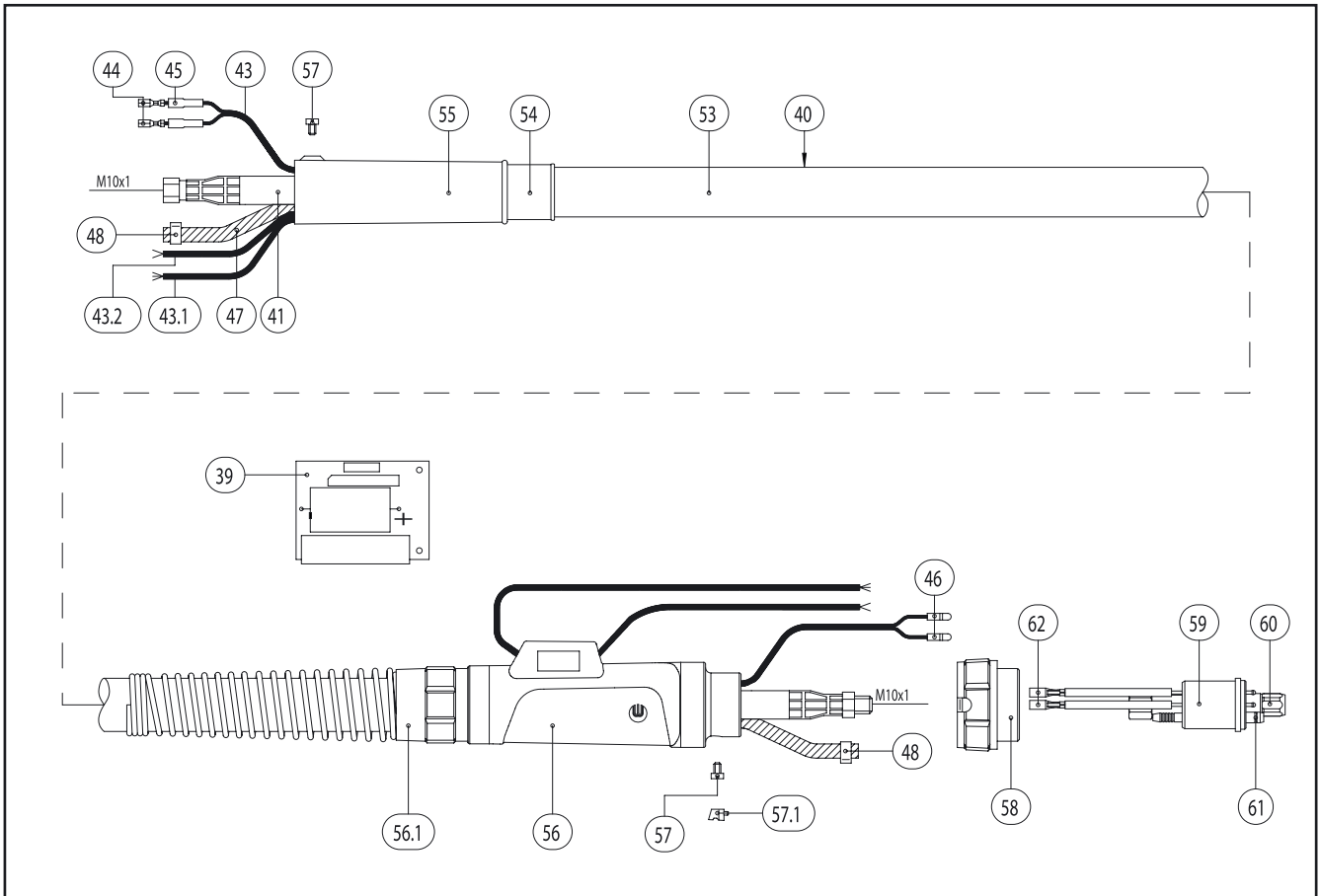
Subject to change without notice.

MIG/MAG Welding Torch PP 24 D



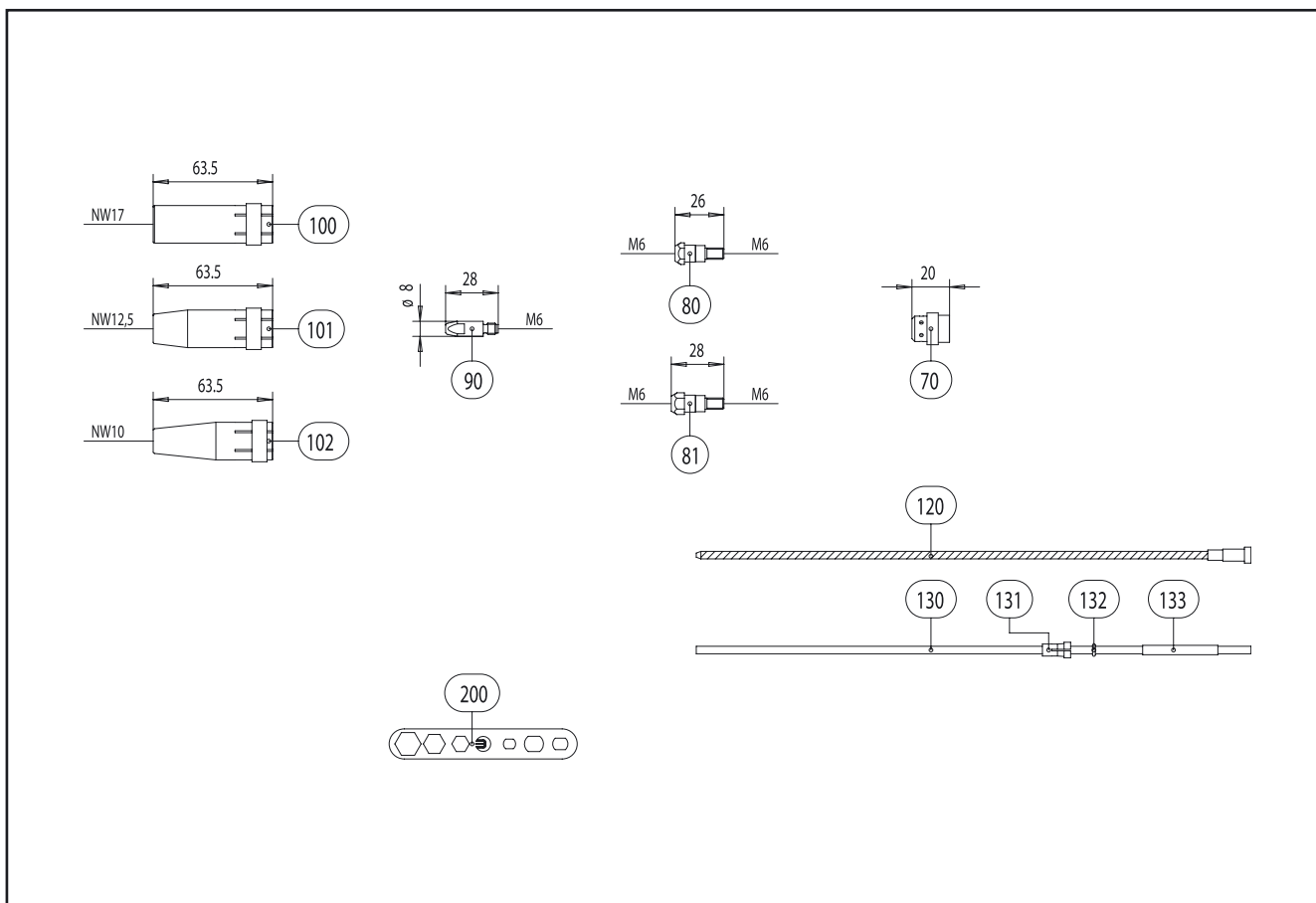
Pos.	Description	Units	Part-No.	Product-group
Torch				
	PP 24 D; straight; 42 V motor; central adaptor GZ-2; 8.00 m		082.0011	1005
	PP 24 D; 45° bent; 42 V motor; central adaptor GZ-2; 8.00 m		082.0014	1005
Swan neck				
1	Swan neck PP 24 D; straight		082.0001	1007
2	Swan neck PP 24 D; 45° bent		012.0194	1007
Torch body, gear motor and equipment				
10	Torch body PPL cpl.		081.0003	1095
11	Idler arm cpl.		080.0007	1095
11.1	Pressure roll		080.0042	1095
11.2	Cylinder pin 1.5x30		000.0636	9010
13	Drive roll cap cpl.		080.0003	1095
13	Pressure spring		080.0032	1095
13	Ball		080.0043	1095
13	Drive roll cap		080.0005	1095
13	Knob for drive roll cap		080.0006	1095
14	Lock nut M6	20 Pcs.	081.0018	1095
15	Wire guide for bent neck 60.0 mm		081.0016	1095
16	Brass-liner CuZn 37; 1.8/4.4 (up to wire Ø 1.2)	50 m	120.0018	1035
17	Wire guide for straight neck 148.0 mm long		081.0017	1095
18	Drive roll seat cpl.		080.0004	1095
19	Drive roll for wire Ø 0.8 mm		080.0019	1095
19	Drive roll for wire Ø 1.0 mm		080.0021	1095
19	Drive roll for wire Ø 1.2 mm		080.0022	1095
22	Gear motor 42 V with flange for wire drive roll		080.0010	1095
22	Gear motor 24 V with flange for wire drive roll		080.0092	1095
w/o. fig.	Transformer prim. 24 V / sec. 36 V		080.0045	1095
w/o. fig.	Transformer prim.110 V / sec. 36 V		080.0055	1095

MIG/MAG Welding Torch PP 24 D



Pos.	Description	Units	Part-No.	Product-group
23	Pan head screw M3x10	20 Pcs.	000.0543	9010
24	Brushes for gear motor		080.0046	1095
	Handle			
25	Handle halves		080.0096	1095
27	Trigger 2-pole		185.0005	9010
28	Pan head screw M3x20	20 Pcs.	000.0548	9010
29	Pan head screw M4x25	20 Pcs.	000.0560	9010
30	Hexagon nut M4	20 Pcs.	009.0172	9010
31	Sheet metal screw 2.9x6.5	20 Pcs.	079.0003	9010
32	Ring	20 Pcs.	001.0271	9010
33	Potentiometer 2.2 k-Ohm		187.0006	9010
33	Potentiometer 4.7 k-Ohm		187.0003	9010
33	Potentiometer 10.0 k-Ohm		187.0004	9010
34	Potentiometer knob		400.0108	1095
	Printed circuit board			
39	Printed circuit board for 42 V motor		080.0009	1095
	Cable assembly			
40	Cable assembly cpl. 8.00 m with 7-pol. control leads without central adaptor GZ-2		080.0065	1095
41	Bikox® power cable G-version for 8.00 m; B6		153.0054	1011
43	Control cable 2-pole	200 m	100.0019	4050
43.1	Control cable 3-pole	100 m	100.0023	4050
43.2	Control cable 2-pole	100 m	100.0123	4050
44	Trigger wire connector	20 Pcs.	175.0022	9010
45	Insulating sleeve	20 Pcs.	400.0119	1095
46	Plug	20 Pcs.	175.0004	9010
47	Hose 30 black Ø 4.9x1.5	100 m	109.0040	4050
48	Hose clamp Ø 8.7 mm	20 Pcs.	171.0002	9010
53	Outer cover Ø 25x1.5	40 m	107.0004	4050

MIG/MAG Welding Torch PP 24 D

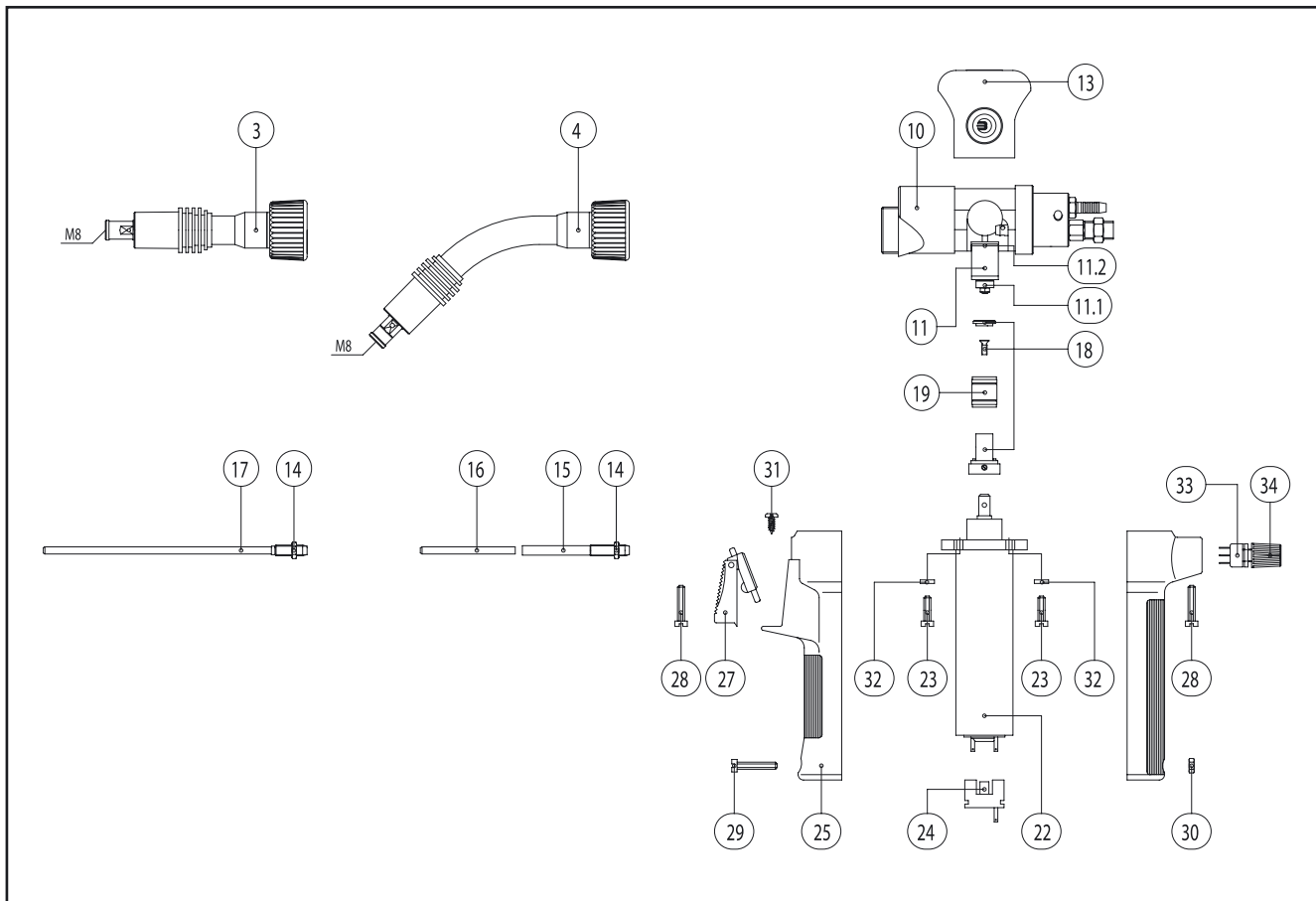


Pos.	Description	Units	Part-No.	Product-group
54	Cable support torch side		400.0189	9010
55	Cable support		080.0026	1095
56	Cable support machine side big cpl. ND 31		500.0342	9010
56.1	Cable support spring		500.0233	9010
56.1	Biclip inside		400.0328	9010
56.1	Biclip outside		400.0329	9010
57	Pan head screw M4x6	20 Pcs.	000.0552	9010
57.1	Screw cap 1	20 Pcs.	500.0251	9010
58	Adaptor nut M33x2		500.0213	9010
59	Central adaptor GZ-2		501.0005	1095
60	Coupling nut M10x1	10 Pcs.	501.0082	9010
61	O-Ring 4x1	20 Pcs.	165.0002	9010
62	Trigger wire connector; female	20 Pcs.	175.0003	9010
Wear parts				
70	Gas diffuser, white	10 Pcs.	012.0183	1032
70	Gas diffuser, silicone rubber	10 Pcs.	012.0243	1032
80	Contact tip holder M6; 26.0 mm	10 Pcs.	142.0003	1033
81	Contact tip holder M6; 28.0 mm	10 Pcs.	142.0010	1033
90	Contact tip M6 E-Cu; Ø 0.8 (8x28)	10 Pcs.	140.0051	1030
90	Contact tip M6 E-Cu; Ø 1.0 (8x28)	10 Pcs.	140.0242	1030
90	Contact tip M6 E-Cu; Ø 1.2 (8x28)	10 Pcs.	140.0379	1030
90	Contact tip M6 CuCrZr; Ø 0.8 (8x28)	10 Pcs.	140.0054	1031
90	Contact tip M6 CuCrZr; Ø 1.0 (8x28)	10 Pcs.	140.0245	1031
90	Contact tip M6 CuCrZr; Ø 1.2 (8x28)	10 Pcs.	140.0382	1031
90	Contact tip M6 E-Cu; Ø 0.8 for alu wire (8x28)	10 Pcs.	141.0001	1030
90	Contact tip M6 E-Cu; Ø 1.0 for alu wire (8x28)	10 Pcs.	141.0006	1030
90	Contact tip M6 E-Cu; Ø 1.2 for alu wire (8x28)	10 Pcs.	141.0010	1030
90	Contact tip M6 CuCrZr silver-plated; Ø 0.8 (8x28)	10 Pcs.	147.0054	1031

MIG/MAG Welding Torch PP 24 D

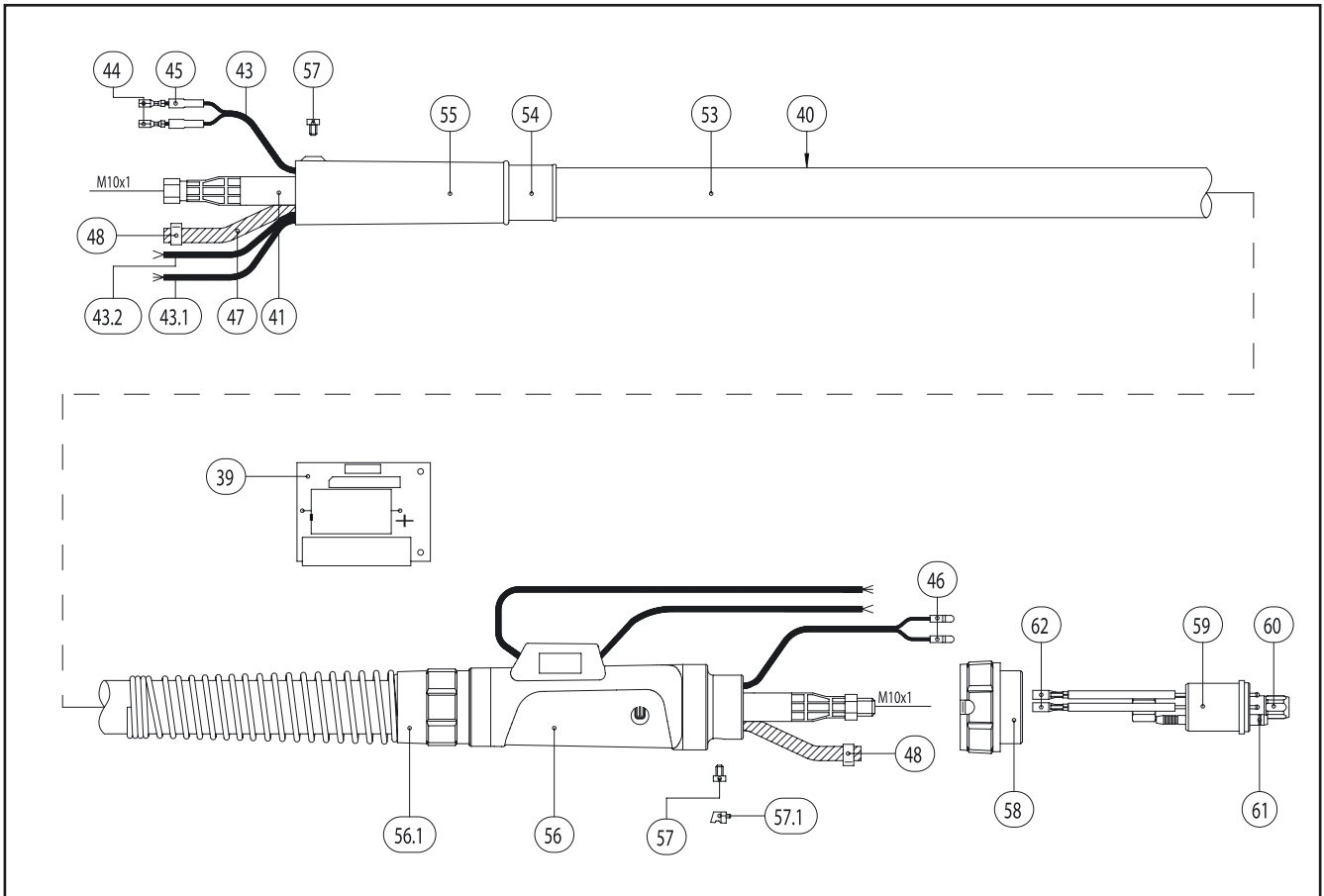
Pos.	Description	Units	Part-No.	Product-group
90	Contact tip M6 CuCrZr silver-plated; Ø 1.0 (8x28)	10 Pcs.	147.0245	1031
90	Contact tip M6 CuCrZr silver-plated; Ø 1.2 (8x28)	10 Pcs.	147.0382	1031
100	Gas nozzle; cylindrical; ND Ø 17.0	10 Pcs.	145.0047	1036
101	Gas nozzle; conical; ND Ø 12.5	10 Pcs.	145.0080	1036
102	Gas nozzle; tapered; ND Ø 10.0	10 Pcs.	145.0128	1036
120	Guide spiral liner blank; 2.0/4.5; for wire Ø 0.8 - 1.2; for 8.00 m		122.0040	1034
130	PTFE core liner 2.0/4.0; red; wire electrode Ø 0.8 - 1.2; for 8.00 m		126.0030	1034
130	PTFE carbon core liner 2.0/4.0; wire electrode Ø 0.8 - 1.2; for 8.00 m		127.0009	1034
130	Polyamid core liner 2.0/4.0; wire electrode Ø 0.8 - 1.2; for 8.00 m		128.0019	1034
131	Nipple for core liner at Ø 4.0	20 Pcs.	131.0001	1095
132	O-Ring 3.5x1.5	20 Pcs.	165.0008	9010
133	Guide tube for core liners up to Ø 4.0 (200 mm)		129.0461	1095
200	Spanner		191.0001	9010

MIG/MAG Welding Torch PP 26 D



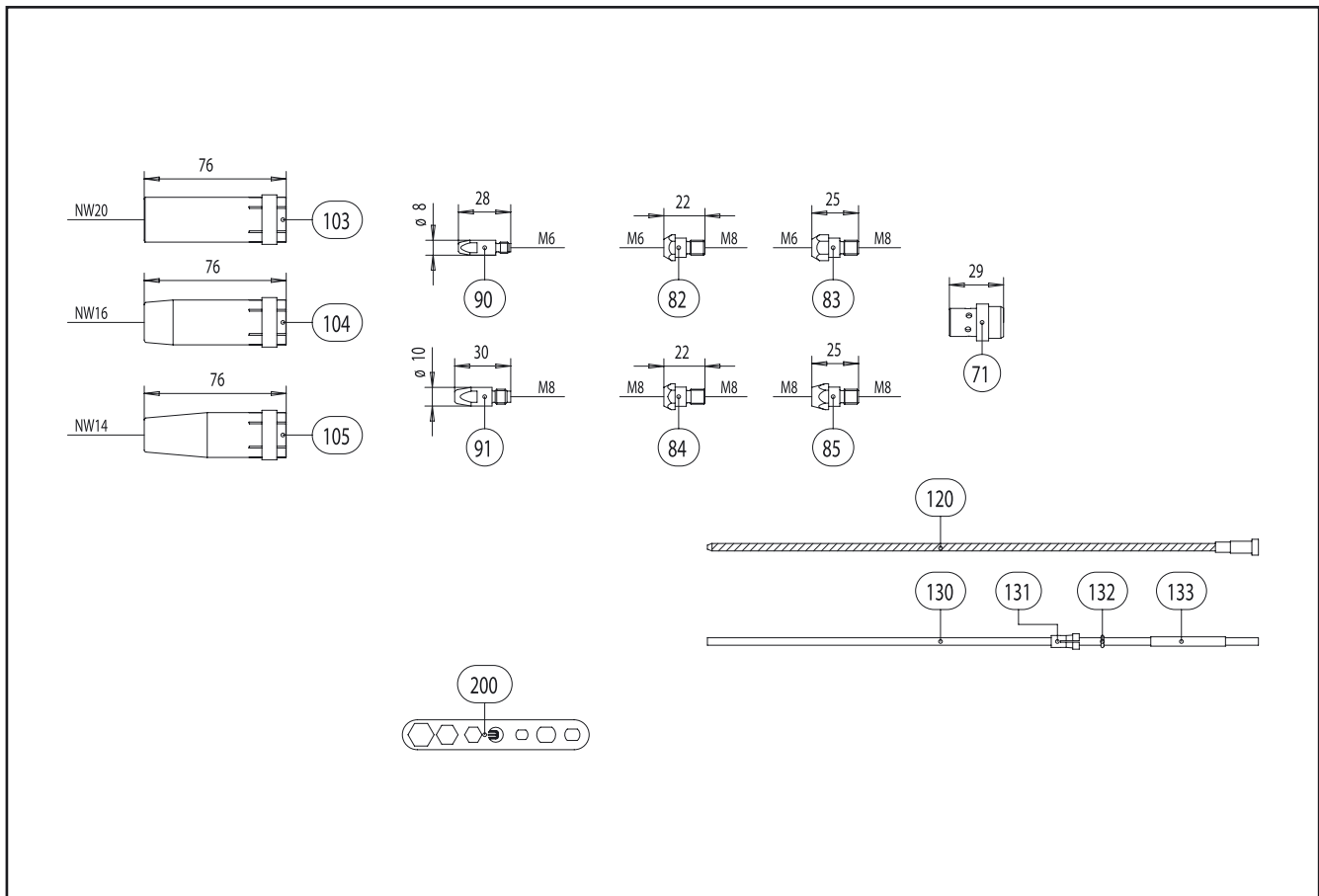
Pos.	Description	Units	Part-No.	Product-group
Torch				
	PP 26 D; straight; 42 V motor; central adaptor GZ-2; 8.00 m		081.0033	1005
	PP 26 D; 45° bent; 42 V motor; central adaptor GZ-2; 8.00 m		081.0035	1005
Swan neck				
3	Swan neck PP 26/36 D; straight		081.0002	1014
4	Swan neck PP 26/36 D; 45° bent		014.0095	1014
Torch body, gear motor and equipment				
10	Torch body PPL cpl.		081.0003	1095
11	Idler arm cpl.		080.0007	1095
11.1	Pressure roll		080.0042	1095
11.2	Cylinder pin 1.5x30		000.0636	9010
13	Drive roll cap cpl.		080.0003	1095
13	Pressure spring		080.0032	1095
13	Ball		080.0043	1095
13	Drive roll cap		080.0005	1095
13	Knob for drive roll cap		080.0006	1095
14	Lock nut M6	20 Pcs.	081.0018	1095
15	Wire guide for bent neck 60.0 mm		081.0016	1095
16	Brass-liner CuZn 37; 1.8/4.4 (up to wire Ø 1.2)	50 m	120.0018	1035
17	Wire guide for straight neck 148.0 mm long		081.0017	1095
18	Drive roll seat cpl.		080.0004	1095
19	Drive roll for wire Ø 0.8 mm		080.0019	1095
19	Drive roll for wire Ø 1.0 mm		080.0021	1095
19	Drive roll for wire Ø 1.2 mm		080.0022	1095
22	Gear motor 42 V with flange for wire drive roll		080.0010	1095
22	Gear motor 24 V with flange for wire drive roll		080.0092	1095
w/o. fig.	Transformer prim. 110 V / sec. 36 V		080.0055	1095
w/o. fig.	Transformer prim. 24 V / sec. 36 V		080.0045	1095

MIG/MAG Welding Torch PP 26 D



Pos.	Description	Units	Part-No.	Product-group
23	Pan head screw M3x10	20 Pcs.	000.0543	9010
24	Brushes for gear motor		080.0046	1095
	Handle			
25	Handle halves		080.0096	1095
27	Trigger 2-pole		185.0005	9010
28	Pan head screw M3x20	20 Pcs.	000.0548	9010
29	Pan head screw M4x25	20 Pcs.	000.0560	9010
30	Hexagon nut M4	20 Pcs.	009.0172	9010
31	Sheet metal screw 2.9x6.5	20 Pcs.	079.0003	9010
32	Ring	20 Pcs.	001.0271	9010
33	Potentiometer 2.2 k-Ohm		187.0006	9010
33	Potentiometer 4.7 k-Ohm		187.0003	9010
33	Potentiometer 10.0 k-Ohm		187.0004	9010
34	Potentiometer knob		400.0108	1095
	Printed circuit board			
39	Printed circuit board for 42 V motor		080.0009	1095
	Cable assembly			
40	Cable assembly cpl. 8.00 m with 7-pol. control leads without central adaptor GZ-2		080.0065	1095
41	Bikox [®] power cable G-version for 8.00 m; B6		153.0054	1011
43	Control cable 2-pole	200 m	100.0019	4050
43.1	Control cable 3-pole	100 m	100.0023	4050
43.2	Control cable 2-pole	100 m	100.0123	4050
44	Trigger wire connector	20 Pcs.	175.0022	9010
45	Insulating sleeve	20 Pcs.	400.0119	1095
46	Plug	20 Pcs.	175.0004	9010
47	Hose 30 black Ø 4.9x1.5	100 m	109.0040	4050
48	Hose clamp Ø 8.7 mm	20 Pcs.	171.0002	9010
53	Outer cover Ø 25x1.5	40 m	107.0004	4050

MIG/MAG Welding Torch PP 26 D

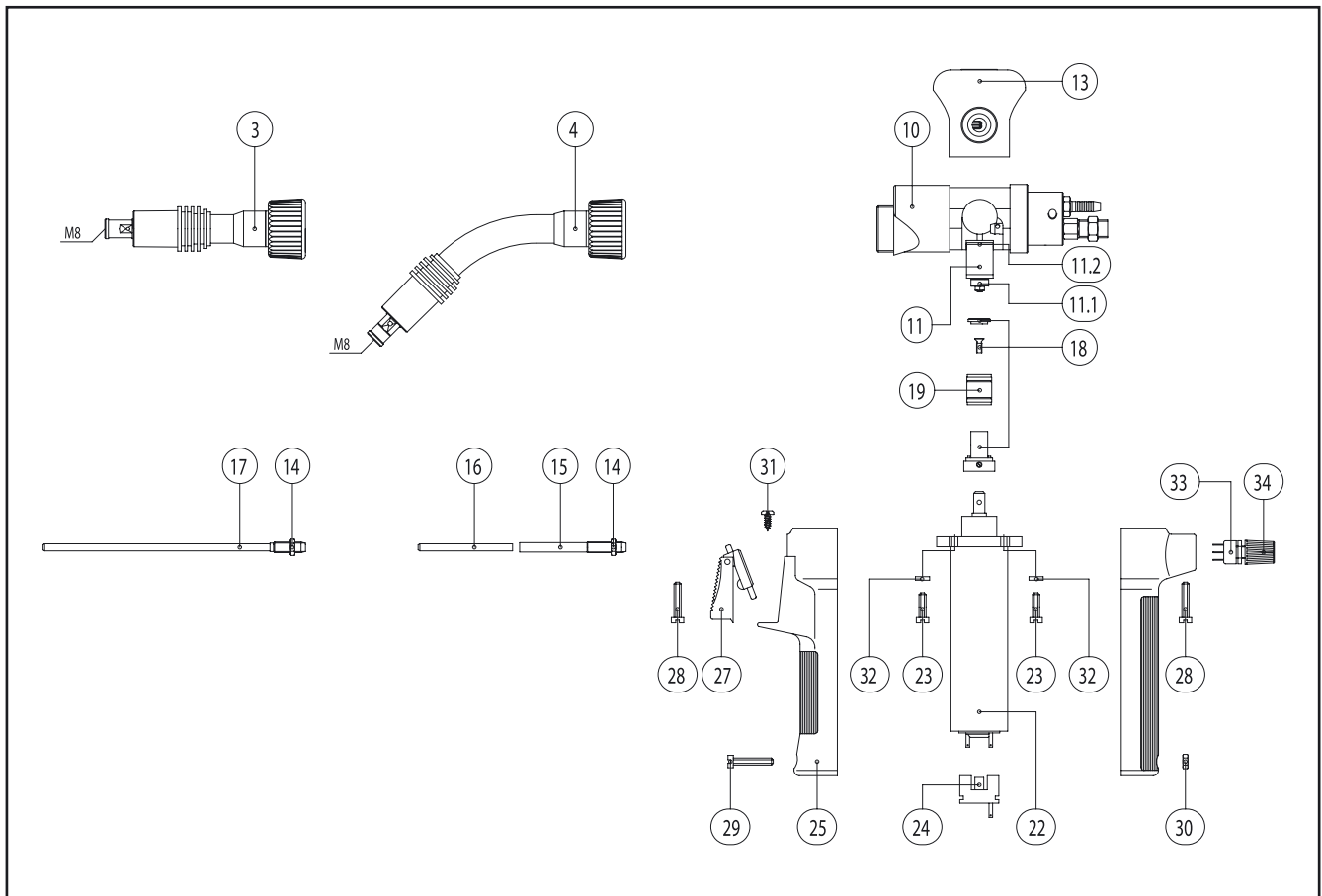


Pos.	Description	Units	Part-No.	Product-group
54	Cable support torch side		400.0189	9010
55	Cable support		080.0026	1095
56	Cable support machine side big cpl. ND 31		500.0342	9010
56.1	Cable support spring		500.0233	9010
56.1	Biclip inside		400.0328	9010
56.1	Biclip outside		400.0329	9010
57	Pan head screw M4x6	20 Pcs.	000.0552	9010
57.1	Screw cap 1	20 Pcs.	500.0251	9010
58	Adaptor nut M33x2		500.0213	9010
59	Central adaptor GZ-2		501.0005	1095
60	Coupling nut M10x1	10 Pcs.	501.0082	9010
61	O-Ring 4x1	20 Pcs.	165.0002	9010
62	Trigger wire connector; female	20 Pcs.	175.0003	9010
Wear parts				
71	Gas diffuser, white	10 Pcs.	018.0116	1032
71	Gas diffuser, ceramic	10 Pcs.	018.0141	1032
82	Contact tip holder M6; 22.0 mm (short)	10 Pcs.	142.0007	1033
83	Contact tip holder M6; 25.0 mm (long)	10 Pcs.	142.0012	1033
84	Contact tip holder M8; 22.0 mm (short)	10 Pcs.	142.0082	1033
85	Contact tip holder M8; 25.0 mm (long)	10 Pcs.	142.0026	1033
90	Contact tip M6 E-Cu; Ø 0.8 (8x28)	10 Pcs.	140.0051	1030
90	Contact tip M6 E-Cu; Ø 1.0 (8x28)	10 Pcs.	140.0242	1030
90	Contact tip M6 E-Cu; Ø 1.2 (8x28)	10 Pcs.	140.0379	1030
90	Contact tip M6 CuCrZr; Ø 0.8 (8x28)	10 Pcs.	140.0054	1031
90	Contact tip M6 CuCrZr; Ø 1.0 (8x28)	10 Pcs.	140.0245	1031
90	Contact tip M6 CuCrZr; Ø 1.2 (8x28)	10 Pcs.	140.0382	1031
90	Contact tip M6 E-Cu; Ø 0.8 for alu wire (8x28)	10 Pcs.	141.0001	1030
90	Contact tip M6 E-Cu; Ø 1.0 for alu wire (8x28)	10 Pcs.	141.0006	1030

MIG/MAG Welding Torch PP 26 D

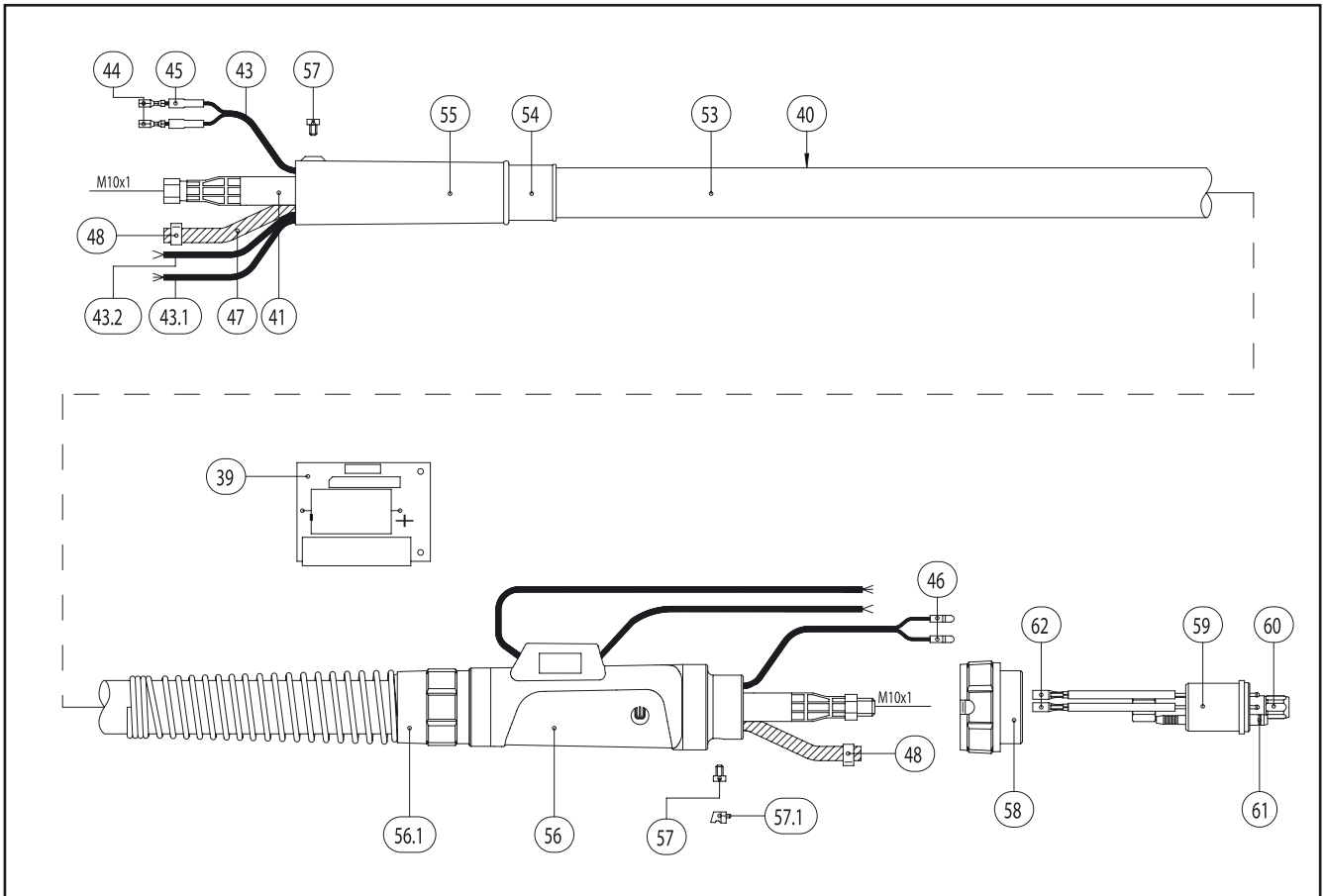
Pos.	Description	Units	Part-No.	Product-group
90	Contact tip M6 E-Cu; \varnothing 1.2 for alu wire (8x28)	10 Pcs.	141.0010	1030
90	Contact tip M6 CuCrZr silver-plated; \varnothing 0.8 (8x28)	10 Pcs.	147.0054	1031
90	Contact tip M6 CuCrZr silver-plated; \varnothing 1.0 (8x28)	10 Pcs.	147.0245	1031
90	Contact tip M6 CuCrZr silver-plated; \varnothing 1.2 (8x28)	10 Pcs.	147.0382	1031
91	Contact tip M8 E-Cu; \varnothing 0.8 (10x30)	10 Pcs.	140.0114	1030
91	Contact tip M8 E-Cu; \varnothing 1.0 (10x30)	10 Pcs.	140.0313	1030
91	Contact tip M8 E-Cu; \varnothing 1.2 (10x30)	10 Pcs.	140.0442	1030
91	Contact tip M8 CuCrZr; \varnothing 0.8 (10x30)	10 Pcs.	140.0117	1031
91	Contact tip M8 CuCrZr; \varnothing 1.0 (10x30)	10 Pcs.	140.0316	1031
91	Contact tip M8 CuCrZr; \varnothing 1.2 (10x30)	10 Pcs.	140.0445	1031
91	Contact tip M8 E-Cu; \varnothing 0.8 for alu wire (10x30)	10 Pcs.	141.0003	1030
91	Contact tip M8 E-Cu; \varnothing 1.0 for alu wire (10x30)	10 Pcs.	141.0008	1030
91	Contact tip M8 E-Cu; \varnothing 1.2 for alu wire (10x30)	10 Pcs.	141.0015	1030
91	Contact tip M8 CuCrZr silver-plated; \varnothing 0.8 (10x30)	10 Pcs.	147.0117	1031
91	Contact tip M8 CuCrZr silver-plated; \varnothing 1.0 (10x30)	10 Pcs.	147.0316	1031
91	Contact tip M8 CuCrZr silver-plated; \varnothing 1.2 (10x30)	10 Pcs.	147.0445	1031
103	Gas nozzle; cylindrical; ND \varnothing 20.0	10 Pcs.	145.0051	1037
104	Gas nozzle; conical; ND \varnothing 16.0	10 Pcs.	145.0085	1037
105	Gas nozzle; tapered; ND \varnothing 14.0	10 Pcs.	145.0132	1037
120	Guide spiral liner blank; 2.0/4.5; for wire \varnothing 0.8 - 1.2; for 8.00 m		122.0040	1034
130	PTFE core liner 2.0/4.0; red; wire electrode \varnothing 0.8 - 1.2; for 8.00 m		126.0030	1034
130	PTFE carbon core liner 2.0/4.0; wire electrode \varnothing 0.8 - 1.2; for 8.00 m		127.0009	1034
130	Polyamid core liner 2.0/4.0; wire electrode \varnothing 0.8 - 1.2; for 8.00 m		128.0019	1034
131	Nipple for core liner at \varnothing 4.0	20 Pcs.	131.0001	1095
132	O-Ring 3.5x1.5	20 Pcs.	165.0008	9010
133	Guide tube for core liners up to \varnothing 4.0 (200 mm)		129.0461	1095
200	Spanner		191.0001	9010

MIG/MAG Welding Torch PP 36 D



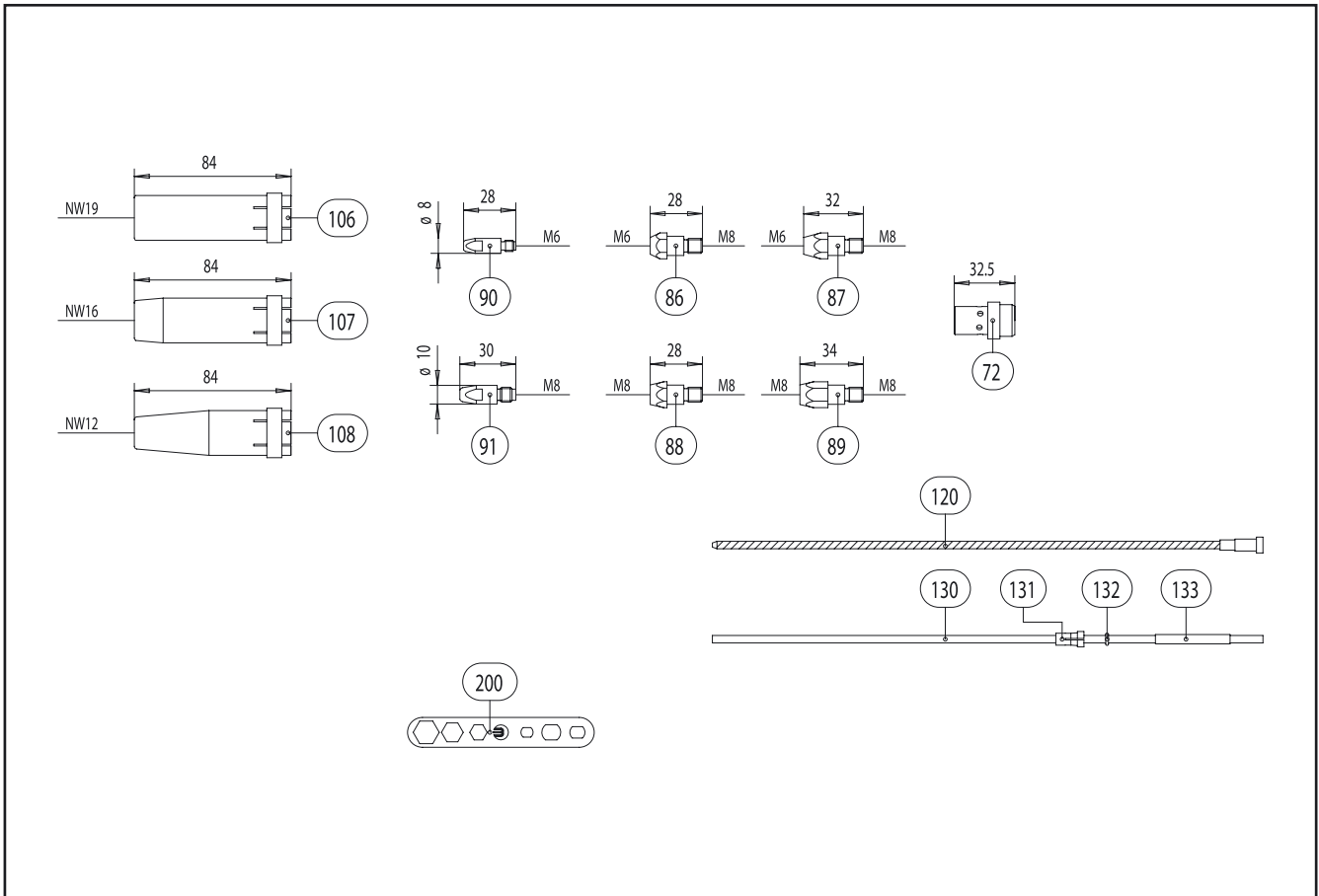
Pos.	Description	Units	Part-No.	Product-group
Torch				
	PP 36 D; straight; 42 V motor; central adaptor GZ-2; 8.00 m		083.0014	1005
	PP 36 D; 45° bent; 42 V motor; central adaptor GZ-2; 8.00 m		083.0017	1005
Swan neck				
3	Swan neck PP 26/36 D; straight		081.0002	1014
4	Swan neck PP 26/36 D; 45° bent		014.0095	1014
Torch body, gear motor and equipment				
10	Torch body PPL cpl.		081.0003	1095
11	Idler arm cpl.		080.0007	1095
11.1	Pressure roll		080.0042	1095
11.2	Cylinder pin 1.5x30		000.0636	9010
13	Drive roll cap cpl.		080.0003	1095
13	Pressure spring		080.0032	1095
13	Ball		080.0043	1095
13	Drive roll cap		080.0005	1095
13	Knob for drive roll cap		080.0006	1095
14	Lock nut M6	20 Pcs.	081.0018	1095
15	Wire guide for bent neck 60.0 mm		081.0016	1095
16	Brass-liner CuZn 37; 1.8/4.4 (up to wire Ø 1.2)	50 m	120.0018	1035
17	Wire guide for straight neck 148.0 mm long		081.0017	1095
18	Drive roll seat cpl.		080.0004	1095
19	Drive roll for wire Ø 0.8 mm		080.0019	1095
19	Drive roll for wire Ø 1.0 mm		080.0021	1095
19	Drive roll for wire Ø 1.2 mm		080.0022	1095
22	Gear motor 42 V with flange for wire drive roll		080.0010	1095
22	Gear motor 24 V with flange for wire drive roll		080.0092	1095
w/o. fig.	Transformer prim. 24 V / sec. 36 V		080.0045	1095
w/o. fig.	Transformer prim. 110 V / sec. 36 V		080.0055	1095

MIG/MAG Welding Torch PP 36 D



Pos.	Description	Units	Part-No.	Product-group
23	Pan head screw M3x10	20 Pcs.	000.0543	9010
24	Brushes for gear motor		080.0046	1095
	Handle			
25	Handle halves		080.0096	1095
27	Trigger 2-pole		185.0005	9010
28	Pan head screw M3x20	20 Pcs.	000.0548	9010
29	Pan head screw M4x25	20 Pcs.	000.0560	9010
30	Hexagon nut M4	20 Pcs.	009.0172	9010
31	Sheet metal screw 2.9x6.5	20 Pcs.	079.0003	9010
32	Ring	20 Pcs.	001.0271	9010
33	Potentiometer 2.2 k-Ohm		187.0006	9010
33	Potentiometer 4.7 k-Ohm		187.0003	9010
33	Potentiometer 10.0 k-Ohm		187.0004	9010
34	Potentiometer knob		400.0108	1095
	Printed circuit board			
39	Printed circuit board for 42 V motor		080.0009	1095
	Cable assembly			
40	Cable assembly cpl. 8.00 m with 7-pol. control leads without central adaptor GZ-2		083.0002	1095
41	Bikox [®] power cable G-version for 8.00 m; B7		153.0129	1011
43	Control cable 2-pole	200 m	100.0019	4050
43.1	Control cable 3-pole	100 m	100.0023	4050
43.2	Control cable 2-pole	100 m	100.0123	4050
44	Trigger wire connector	20 Pcs.	175.0022	9010
45	Insulating sleeve	20 Pcs.	400.0119	1095
46	Plug	20 Pcs.	175.0004	9010
47	Hose 30 black Ø 4.9x1.5	100 m	109.0040	4050
48	Hose clamp Ø 8.7 mm	20 Pcs.	171.0002	9010
53	Outer cover Ø 25x1.5	40 m	107.0004	4050

MIG/MAG Welding Torch PP 36 D

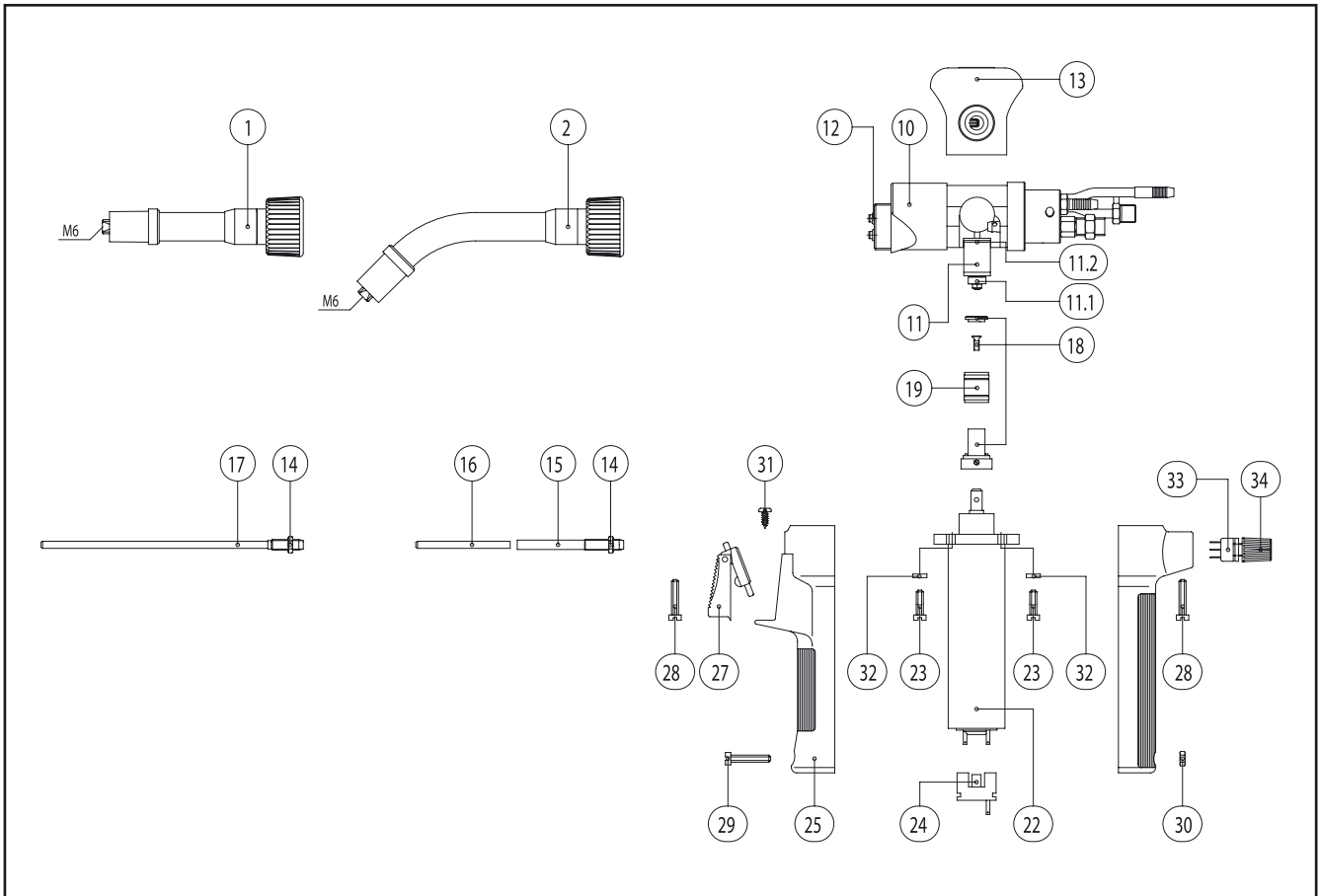


Pos.	Description	Units	Part-No.	Product-group
54	Cable support torch side		400.0189	9010
55	Cable support		080.0026	1095
56	Cable support machine side big cpl. ND 31		500.0342	9010
56.1	Cable support spring		500.0233	9010
56.1	Biclip inside		400.0328	9010
56.1	Biclip outside		400.0329	9010
57	Pan head screw M4x6	20 Pcs.	000.0552	9010
57.1	Screw cap 1	20 Pcs.	500.0251	9010
58	Adaptor nut M33x2		500.0213	9010
59	Central adaptor GZ-2		501.0005	1095
60	Coupling nut M10x1	10 Pcs.	501.0082	9010
61	O-Ring 4x1	20 Pcs.	165.0002	9010
62	Trigger wire connector; female	20 Pcs.	175.0003	9010
Wear parts				
72	Gas diffuser, white	10 Pcs.	014.0261	1032
72	Gas diffuser, long life	10 Pcs.	014.0026	1032
72	Gas diffuser, ceramic	10 Pcs.	014.0023	1032
86	Contact tip holder M6; 26.0 mm (short)	10 Pcs.	142.0005	1033
87	Contact tip holder M6; 32.0 mm (long)	10 Pcs.	142.0011	1033
88	Contact tip holder M8; 28.0 mm (short)	10 Pcs.	142.0020	1033
89	Contact tip holder M8; 34.0 mm (long)	10 Pcs.	142.0024	1033
90	Contact tip M6 E-Cu; Ø 0.8 (8x28)	10 Pcs.	140.0051	1030
90	Contact tip M6 E-Cu; Ø 1.0 (8x28)	10 Pcs.	140.0242	1030
90	Contact tip M6 E-Cu; Ø 1.2 (8x28)	10 Pcs.	140.0379	1030
90	Contact tip M6 CuCrZr; Ø 0.8 (8x28)	10 Pcs.	140.0054	1031
90	Contact tip M6 CuCrZr; Ø 1.0 (8x28)	10 Pcs.	140.0245	1031
90	Contact tip M6 CuCrZr; Ø 1.2 (8x28)	10 Pcs.	140.0382	1031
90	Contact tip M6 E-Cu; Ø 0.8 for alu wire (8x28)	10 Pcs.	141.0001	1030

MIG/MAG Welding Torch PP 36 D

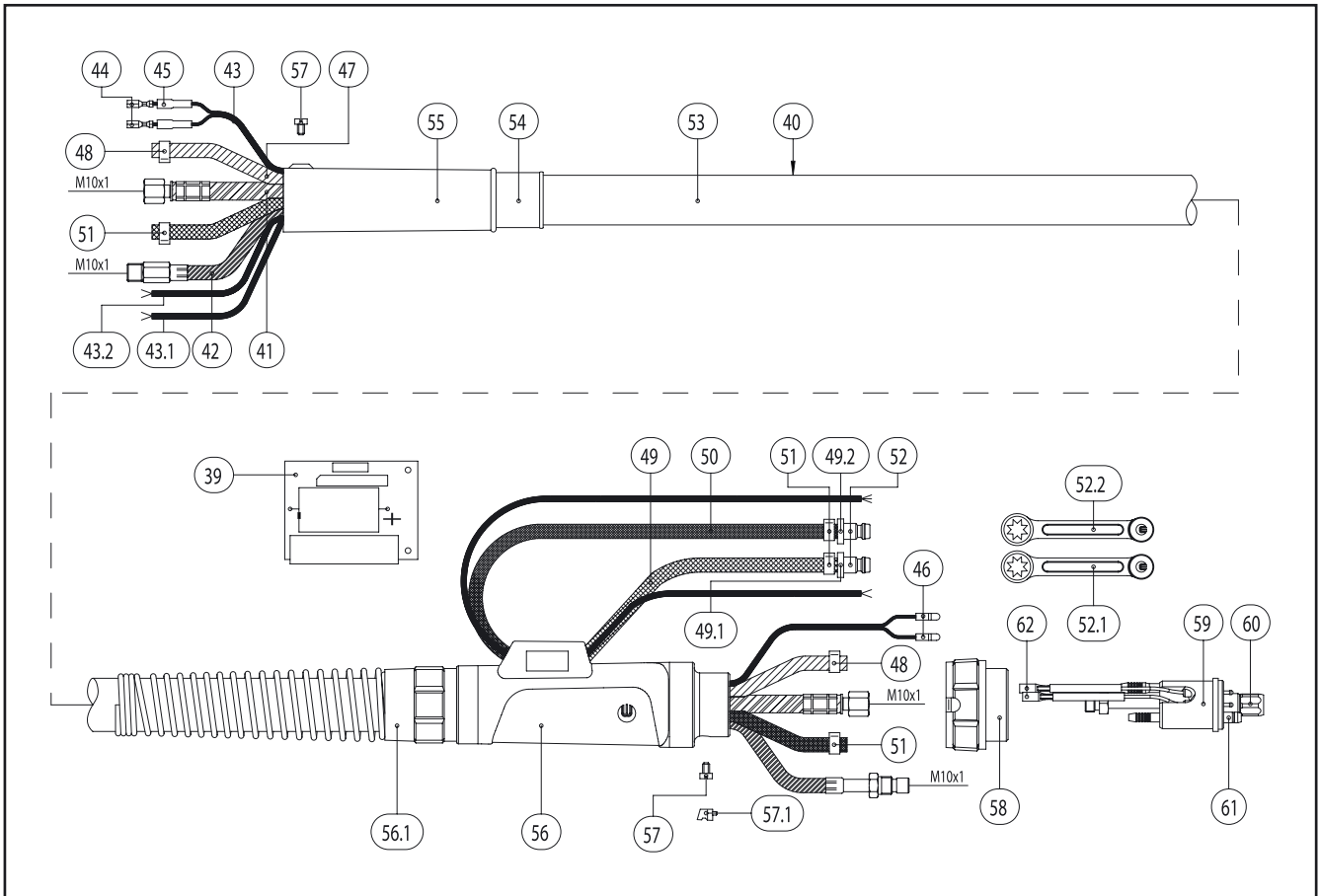
Pos.	Description	Units	Part-No.	Product-group
90	Contact tip M6 E-Cu; Ø 1.0 for alu wire (8x28)	10 Pcs.	141.0006	1030
90	Contact tip M6 E-Cu; Ø 1.2 for alu wire (8x28)	10 Pcs.	141.0010	1030
90	Contact tip M6 CuCrZr silver-plated; Ø 0.8 (8x28)	10 Pcs.	147.0054	1031
90	Contact tip M6 CuCrZr silver-plated; Ø 1.0 (8x28)	10 Pcs.	147.0245	1031
90	Contact tip M6 CuCrZr silver-plated; Ø 1.2 (8x28)	10 Pcs.	147.0382	1031
91	Contact tip M8 E-Cu; Ø 0.8 (10x30)	10 Pcs.	140.0114	1030
91	Contact tip M8 E-Cu; Ø 1.0 (10x30)	10 Pcs.	140.0313	1030
91	Contact tip M8 E-Cu; Ø 1.2 (10x30)	10 Pcs.	140.0442	1030
91	Contact tip M8 CuCrZr; Ø 0.8 (10x30)	10 Pcs.	140.0117	1031
91	Contact tip M8 CuCrZr; Ø 1.0 (10x30)	10 Pcs.	140.0316	1031
91	Contact tip M8 CuCrZr; Ø 1.2 (10x30)	10 Pcs.	140.0445	1031
91	Contact tip M8 E-Cu; Ø 0.8 for alu wire (10x30)	10 Pcs.	141.0003	1030
91	Contact tip M8 E-Cu; Ø 1.0 for alu wire (10x30)	10 Pcs.	141.0008	1030
91	Contact tip M8 E-Cu; Ø 1.2 for alu wire (10x30)	10 Pcs.	141.0015	1030
91	Contact tip M8 CuCrZr silver-plated; Ø 0.8 (10x30)	10 Pcs.	147.0117	1031
91	Contact tip M8 CuCrZr silver-plated; Ø 1.0 (10x30)	10 Pcs.	147.0316	1031
91	Contact tip M8 CuCrZr silver-plated; Ø 1.2 (10x30)	10 Pcs.	147.0445	1031
106	Gas nozzle, cylindrical; ND Ø 19.0	10 Pcs.	145.0045	1037
107	Gas nozzle, conical; ND Ø 16.0	10 Pcs.	145.0078	1037
108	Gas nozzle, tapered; ND Ø 12.0	10 Pcs.	145.0126	1037
120	Guide spiral liner blank; 2.0/4.5; for wire Ø 0.8 - 1.2; for 8.00 m		122.0040	1034
130	PTFE core liner 2.0/4.0; red; wire electrode Ø 0.8 - 1.2; for 8.00 m		126.0030	1034
130	PTFE carbon core liner 2.0/4.0; wire electrode Ø 0.8 - 1.2; for 8.00 m		127.0009	1034
130	Polyamid core liner 2.0/4.0; wire electrode Ø 0.8 - 1.2; for 8.00 m		128.0019	1034
131	Nipple for core liner at Ø 4.0	20 Pcs.	131.0001	1095
132	O-Ring 3.5x1.5	20 Pcs.	165.0008	9010
133	Guide tube for core liners up to Ø 4.0 (200 mm)		129.0461	1095
200	Spanner		191.0001	9010

MIG/MAG Welding Torch PP 240 D



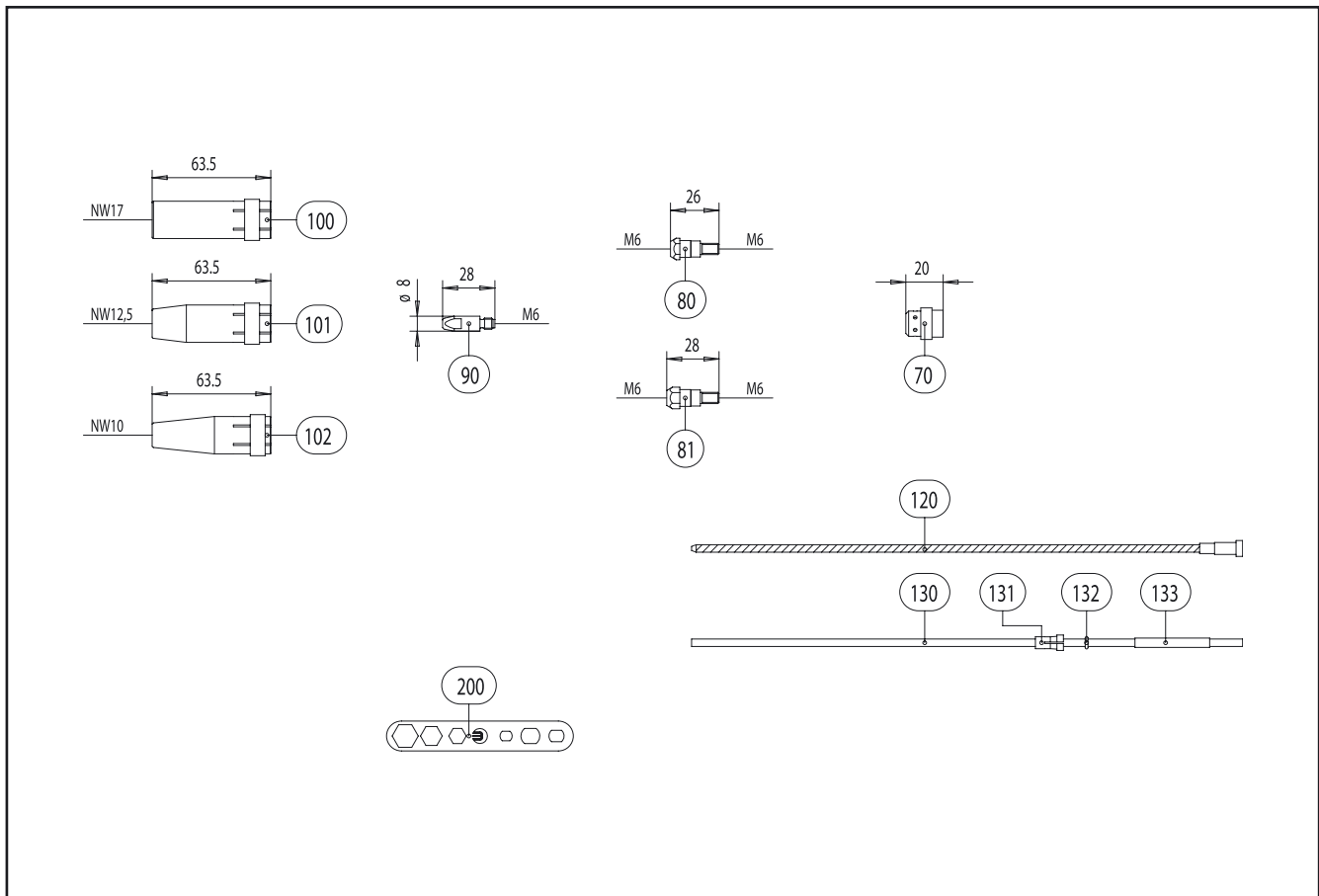
Pos.	Description	Units	Part-No.	Product-group
Torch				
	PP 240 D; straight; 42 V motor; central adaptor WZ-2; 8.00 m		092.0018	1005
	PP 240 D; 45° bent; 42 V motor; central adaptor WZ-2; 8.00 m		092.0019	1005
Swan neck				
1	Swan neck PP 240 D; straight		092.0007	1009
2	Swan neck PP 240 D; 45° bent		092.0001	1009
Torch body, gear motor and equipment				
10	Torch body PPW cpl.		091.0003	1095
11	Idler arm cpl.		080.0007	1095
11.1	Pressure roll		080.0042	1095
11.2	Cylinder pin 1.5x30		000.0636	9010
12	O-Ring 3x1.5	20 Pcs.	165.0054	9010
13	Drive roll cap cpl.		080.0003	1095
13	Pressure spring		080.0032	1095
13	Ball		080.0043	1095
13	Drive roll cap		080.0005	1095
13	Knob for drive roll cap		080.0006	1095
14	Lock nut M6	20 Pcs.	081.0018	1095
15	Wire guide for bent neck 60.0 mm		081.0016	1095
16	Brass-liner CuZn 37; 1.8/4.4 (up to wire Ø 1.2)	50 m	120.0018	1035
16	Brass-liner CuZn 37; 2.2/4.4 (up to wire Ø 1.6)	50 m	120.0041	1035
17	Wire guide for straight neck 148.0 mm long		081.0017	1095
18	Drive roll seat cpl.		080.0004	1095
19	Drive roll for wire Ø 0.8 mm		080.0019	1095
19	Drive roll for wire Ø 1.0 mm		080.0021	1095
19	Drive roll for wire Ø 1.2 mm		080.0022	1095
22	Gear motor 42 V with flange for wire drive roll		080.0010	1095
22	Gear motor 24 V with flange for wire drive roll		080.0092	1095

MIG/MAG Welding Torch PP 240 D



Pos.	Description	Units	Part-No.	Product-group
w/o. fig.	Transformer prim. 24 V / sec. 36 V		080.0045	1095
w/o. fig.	Transformer prim. 110 V / sec. 36 V		080.0055	1095
	Handle			
23	Pan head screw M3x10	20 Pcs.	000.0543	9010
24	Brushes for gear motor		080.0046	1095
25	Handle halves		080.0096	1095
27	Trigger 2-pole		185.0005	9010
28	Pan head screw M3x20	20 Pcs.	000.0548	9010
29	Pan head screw M4x25	20 Pcs.	000.0560	9010
30	Hexagon nut M4	20 Pcs.	009.0172	9010
31	Sheet metal screw 2.9x6.5	20 Pcs.	079.0003	9010
32	Ring	20 Pcs.	001.0271	9010
33	Potentiometer 4.7 k-Ohm		187.0003	9010
33	Potentiometer 10.0 k-Ohm		187.0004	9010
33	Potentiometer 2.2 k-Ohm		187.0006	9010
34	Potentiometer knob		400.0108	1095
	Printed circuit board			
39	Printed circuit board for 42 V motor		080.0009	1095
	Cable assembly			
40	Cable assembly cpl. 8.00 m with 7-pol. control leads without central adaptor WZ-2		090.0026	1095
41	Power cable Push Pull (PVC) for 8.00 m		115.0043	1012
42	Wire conduit Push Pull cpl. for 8.00 m		153.0028	1012
43	Control cable 2-pole	200 m	100.0019	4050
43.1	Control cable 3-pole	100 m	100.0023	4050
43.2	Control cable 2-pole	100 m	100.0123	4050
44	Trigger wire connector	20 Pcs.	175.0022	9010
45	Insulating sleeve	20 Pcs.	400.0119	1095
46	Plug	20 Pcs.	175.0004	9010

MIG/MAG Welding Torch PP 240 D

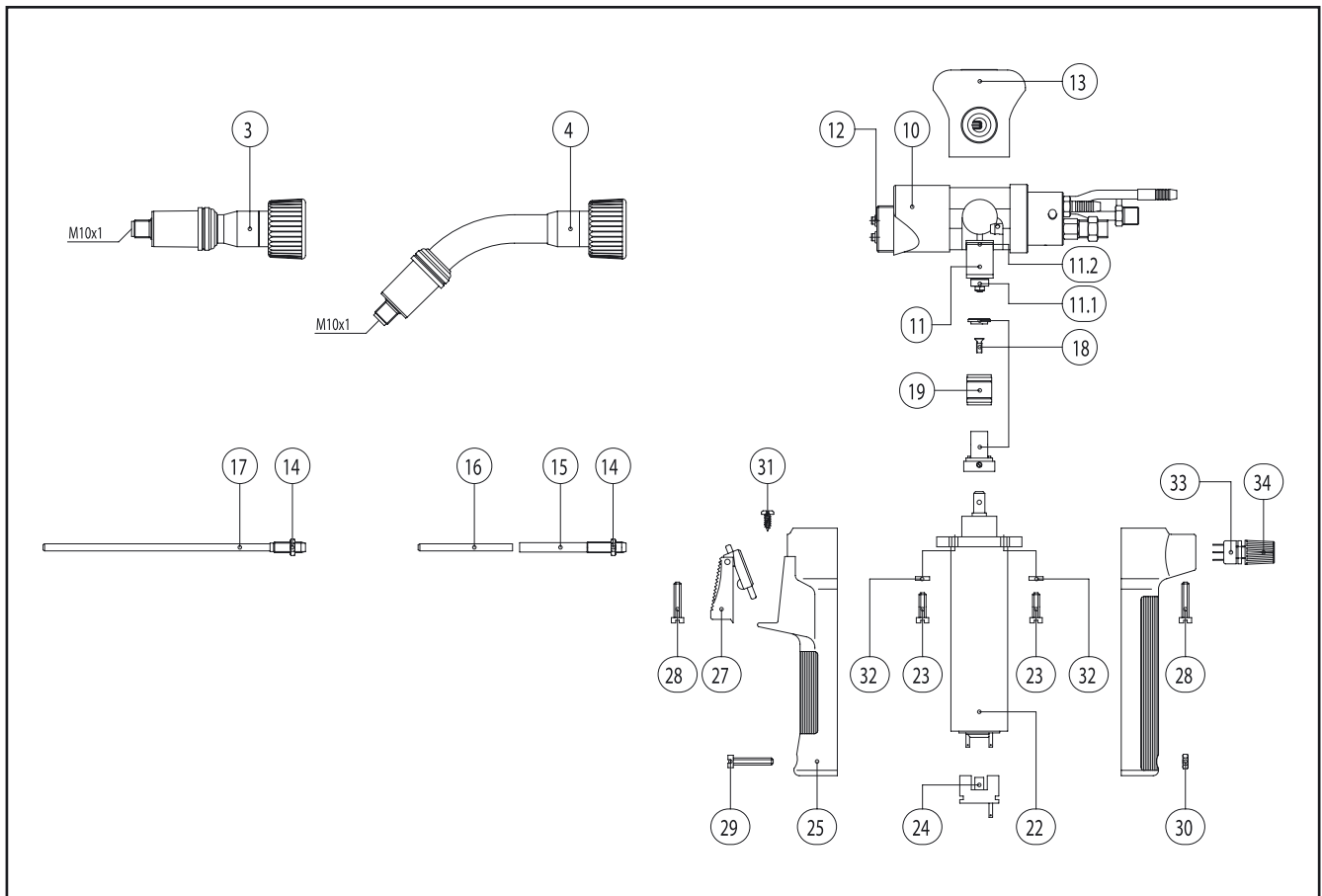


Pos.	Description	Units	Part-No.	Product-group
47	Hose 30 black Ø 4.9x1.5	100 m	109.0040	4050
48	Hose clamp Ø 8.7 mm	20 Pcs.	171.0002	9010
49	Hose 47 blue Ø 5.5x1.5	100 m	109.0057	4050
49.1	Code colour ring blue	20 Pcs.	501.2167	9010
49.2	Code colour ring red	20 Pcs.	501.2166	9010
50	Hose 46 red Ø 5.5x1.5 cpl. with plug nipple ND 5; 0.6 m		103.0114	1095
w/o. fig.	Hose 46 red Ø 5.5x1.5	100 m	109.0056	4050
51	Hose clamp Ø 9.0 mm with ring (mark 9.5)	20 Pcs.	173.0001	9010
52	Plug nipple ND 5 mm / Ø 6.0 mm	20 Pcs.	501.0114	9010
52.1	Fastener cap red		501.2423	1095
52.2	Fastener cap blue		501.2424	1095
53	Outer cover Ø 25x1.5	40 m	107.0004	4050
54	Cable support torch side		400.0189	9010
55	Cable support		090.0003	1095
56	Cable support machine side big cpl. ND 31		500.0342	9010
56.1	Cable support spring		500.0233	9010
56.1	Biclip inside		400.0328	9010
56.1	Biclip outside		400.0329	9010
57	Pan head screw M4x6	20 Pcs.	000.0552	9010
57.1	Screw cap 1	20 Pcs.	500.0251	9010
58	Adaptor nut M33x2		500.0213	9010
59	Central adaptor WZ-2		501.0015	9010
60	Coupling nut M10x1	10 Pcs.	501.0082	9010
61	O-Ring 4x1	20 Pcs.	165.0002	9010
62	Trigger wire connector; female	20 Pcs.	175.0003	9010
Wear parts				
70	Gas diffuser, white	10 Pcs.	012.0183	1032
70	Gas diffuser, silicone rubber	10 Pcs.	012.0243	1032

MIG/MAG Welding Torch PP 240 D

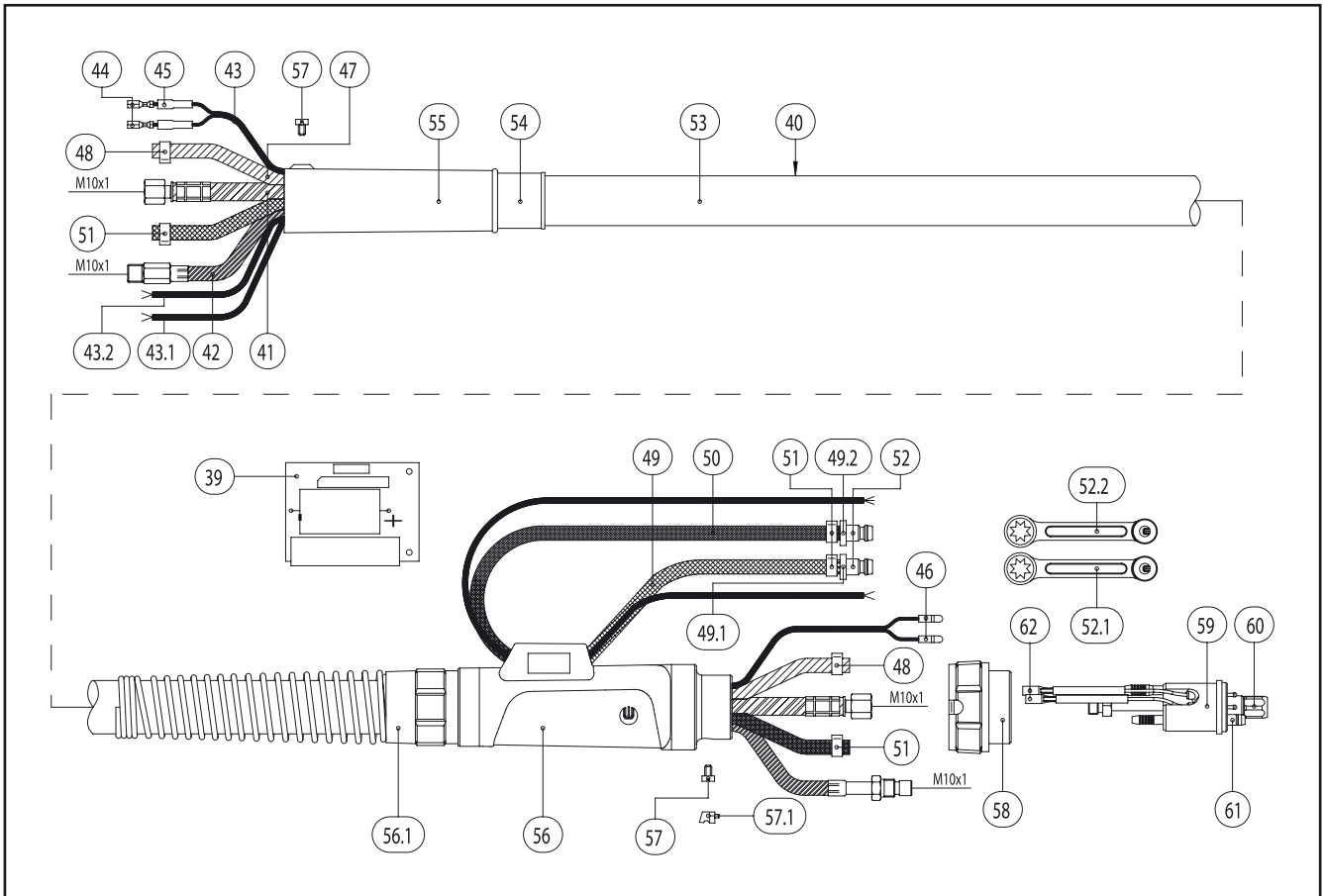
Pos.	Description	Units	Part-No.	Product-group
80	Contact tip holder M6; 26.0 mm	10 Pcs.	142.0003	1033
81	Contact tip holder M6; 28.0 mm	10 Pcs.	142.0010	1033
90	Contact tip M6 E-Cu; Ø 0.8 (8x28)	10 Pcs.	140.0051	1030
90	Contact tip M6 E-Cu; Ø 1.0 (8x28)	10 Pcs.	140.0242	1030
90	Contact tip M6 E-Cu; Ø 1.2 (8x28)	10 Pcs.	140.0379	1030
90	Contact tip M6 CuCrZr; Ø 0.8 (8x28)	10 Pcs.	140.0054	1031
90	Contact tip M6 CuCrZr; Ø 1.0 (8x28)	10 Pcs.	140.0245	1031
90	Contact tip M6 CuCrZr; Ø 1.2 (8x28)	10 Pcs.	140.0382	1031
90	Contact tip M6 E-Cu; Ø 0.8 for alu wire (8x28)	10 Pcs.	141.0001	1030
90	Contact tip M6 CuCrZr silver-plated; Ø 0.8 (8x28)	10 Pcs.	147.0054	1031
90	Contact tip M6 E-Cu; Ø 1.0 for alu wire (8x28)	10 Pcs.	141.0006	1030
90	Contact tip M6 E-Cu; Ø 1.2 for alu wire (8x28)	10 Pcs.	141.0010	1030
90	Contact tip M6 CuCrZr silver-plated; Ø 1.0 (8x28)	10 Pcs.	147.0245	1031
90	Contact tip M6 CuCrZr silver-plated; Ø 1.2 (8x28)	10 Pcs.	147.0382	1031
100	Gas nozzle; cylindrical; ND Ø 17.0	10 Pcs.	145.0047	1036
101	Gas nozzle; conical; ND Ø 12.5	10 Pcs.	145.0080	1036
102	Gas nozzle; tapered; ND Ø 10.0	10 Pcs.	145.0128	1036
120	Guide spiral liner blank; 2.0/4.5; for wire Ø 0.8 - 1.2; for 8.00 m		122.0040	1034
130	PTFE core liner 2.0/4.0; red; wire electrode Ø 0.8 - 1.2; for 8.00 m		126.0030	1034
130	PTFE carbon core liner 2.0/4.0; wire electrode Ø 0.8 - 1.2; for 8.00 m		127.0009	1034
130	Polyamid core liner 2.0/4.0; wire electrode Ø 0.8 - 1.2; for 8.00 m		128.0019	1034
131	Nipple for core liner at Ø 4.0	20 Pcs.	131.0001	1095
132	O-Ring 3.5x1.5	20 Pcs.	165.0008	9010
133	Guide tube for core liners up to Ø 4.0 (200 mm)		129.0461	1095
200	Spanner		191.0001	9010

MIG/MAG Welding Torch PP 401 D



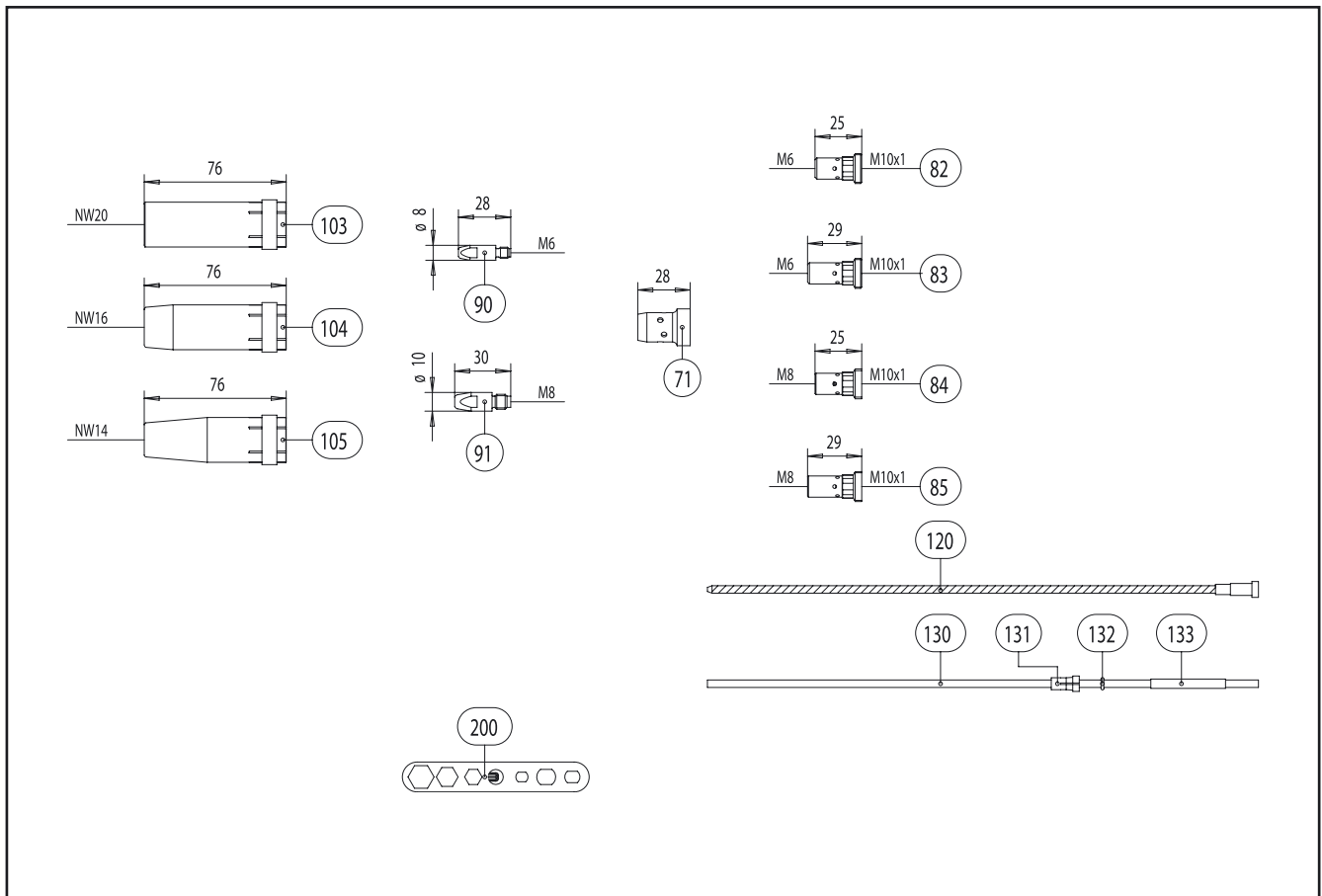
Pos.	Description	Units	Part-No.	Product-group
Torch				
	PP 401 D; straight; 42 V motor; central adaptor WZ-2; 8.00 m		091.0043	1005
	PP 401 D; 45° bent; 42 V motor; central adaptor WZ-2; 8.00 m		091.0044	1005
Swan neck				
3	Swan neck PP 401 D; straight		091.0002	1009
4	Swan neck PP 401 D; 45° bent		091.0001	1009
Torch body, gear motor and equipment				
10	Torch body PPW cpl.		091.0003	1095
11	Idler arm cpl.		080.0007	1095
11.1	Pressure roll		080.0042	1095
11.2	Cylinder pin 1.5x30		000.0636	9010
12	O-Ring 3x1.5	20 Pcs.	165.0054	9010
13	Drive roll cap cpl.		080.0003	1095
13	Pressure spring		080.0032	1095
13	Ball		080.0043	1095
13	Drive roll cap		080.0005	1095
13	Knob for drive roll cap		080.0006	1095
14	Lock nut M6	20 Pcs.	081.0018	1095
15	Wire guide for bent neck 60.0 mm		081.0016	1095
16	Brass-liner CuZn 37; 1.8/4.4 (up to wire Ø 1.2)	50 m	120.0018	1035
16	Brass-liner CuZn 37; 2.2/4.4 (up to wire Ø 1.6)	50 m	120.0041	1035
17	Wire guide for straight neck 148.0 mm long		081.0017	1095
18	Drive roll seat cpl.		080.0004	1095
19	Drive roll for wire Ø 0.8 mm		080.0019	1095
19	Drive roll for wire Ø 1.0 mm		080.0021	1095
19	Drive roll for wire Ø 1.2 mm		080.0022	1095
19	Drive roll for wire Ø 1.4 mm		080.0025	1095
19	Drive roll for wire Ø 1.6 mm		080.0023	1095

MIG/MAG Welding Torch PP 401 D



Pos.	Description	Units	Part-No.	Product-group
22	Gear motor 42 V with flange for wire drive roll		080.0010	1095
22	Gear motor 24 V with flange for wire drive roll		080.0092	1095
w/o. fig.	Transformer prim. 24 V / sec. 36 V		080.0045	1095
w/o. fig.	Transformer prim. 110 V / sec. 36 V		080.0055	1095
	Handle			
23	Pan head screw M3x10	20 Pcs.	000.0543	9010
24	Brushes for gear motor		080.0046	1095
25	Handle halves		080.0096	1095
27	Trigger 2-pole		185.0005	9010
28	Pan head screw M3x20	20 Pcs.	000.0548	9010
29	Pan head screw M4x25	20 Pcs.	000.0560	9010
30	Hexagon nut M4	20 Pcs.	009.0172	9010
31	Sheet metal screw 2.9x6.5	20 Pcs.	079.0003	9010
32	Ring	20 Pcs.	001.0271	9010
33	Potentiometer 2.2 k-Ohm		187.0006	9010
33	Potentiometer 4.7 k-Ohm		187.0003	9010
33	Potentiometer 10.0 k-Ohm		187.0004	9010
34	Potentiometer knob		400.0108	1095
	Printed circuit board			
39	Printed circuit board for 42 V motor		080.0009	1095
	Cable assembly			
40	Cable assembly cpl. 8.00 m with 7-pol. control leads without central adaptor WZ-2		090.0026	1095
41	Power cable Push Pull (PVC) for 8.00 m		115.0043	1012
42	Wire conduit Push Pull cpl. for 8.00 m		153.0028	1012
43	Control cable 2-pole	200 m	100.0019	4050
43.1	Control cable 3-pole	100 m	100.0023	4050
43.2	Control cable 2-pole	100 m	100.0123	4050
44	Trigger wire connector	20 Pcs.	175.0022	9010

MIG/MAG Welding Torch PP 401 D



Pos.	Description	Units	Part-No.	Product-group
45	Insulating sleeve	20 Pcs.	400.0119	1095
46	Plug	20 Pcs.	175.0004	9010
47	Hose 30 black Ø 4.9x1.5	100 m	109.0040	4050
48	Hose clamp Ø 8.7 mm	20 Pcs.	171.0002	9010
49	Hose 47 blue Ø 5.5x1.5	100 m	109.0057	4050
49.1	Code colour ring blue	20 Pcs.	501.2167	9010
49.2	Code colour ring red	20 Pcs.	501.2166	9010
50	Hose 46 red Ø 5.5x1.5 cpl. with plug nipple ND 5; 0.6 m		103.0114	1095
w/o. fig.	Hose 46 red Ø 5.5x1.5	100 m	109.0056	4050
51	Hose clamp Ø 9.0 mm with ring (mark 9.5)	20 Pcs.	173.0001	9010
52	Plug nipple ND 5 mm / Ø 6.0 mm	20 Pcs.	501.0114	9010
52.1	Fastener cap red		501.2423	1095
52.2	Fastener cap blue		501.2424	1095
53	Outer cover Ø 25x1.5	40 m	107.0004	4050
54	Cable support torch side		400.0189	9010
55	Cable support		090.0003	1095
56	Cable support machine side big cpl. ND 31		500.0342	9010
56.1	Cable support spring		500.0233	9010
56.1	Biclip inside		400.0328	9010
56.1	Biclip outside		400.0329	9010
57	Pan head screw M4x6	20 Pcs.	000.0552	9010
57.1	Screw cap 1	20 Pcs.	500.0251	9010
58	Adaptor nut M33x2		500.0213	9010
59	Central adaptor WZ-2		501.0015	9010
60	Coupling nut M10x1	10 Pcs.	501.0082	9010
61	O-Ring 4x1	20 Pcs.	165.0002	9010
62	Trigger wire connector; female	20 Pcs.	175.0003	9010

MIG/MAG Welding Torch PP 401 D

Pos.	Description	Units	Part-No.	Product-group
	Wear parts			
71	Gas diffuser, white	10 Pcs.	030.0145	1032
71	Gas diffuser, long life	10 Pcs.	030.0037	1032
71	Gas diffuser, ceramic	10 Pcs.	030.0190	1032
82	Contact tip holder M6; 25.0 mm (short)	10 Pcs.	142.0008	1033
83	Contact tip holder M6; 29.0 mm (long)	10 Pcs.	142.0013	1033
84	Contact tip holder M8; 25.0 mm (short)	10 Pcs.	142.0022	1033
85	Contact tip holder M8; 29.0 mm (long)	10 Pcs.	142.0027	1033
90	Contact tip M6 E-Cu; Ø 0.8 (8x28)	10 Pcs.	140.0051	1030
90	Contact tip M6 E-Cu; Ø 1.0 (8x28)	10 Pcs.	140.0242	1030
90	Contact tip M6 E-Cu; Ø 1.2 (8x28)	10 Pcs.	140.0379	1030
90	Contact tip M6 E-Cu; Ø 1.4 (8x28)	10 Pcs.	140.0516	1030
90	Contact tip M6 E-Cu; Ø 1.6 (8x28)	10 Pcs.	140.0555	1030
90	Contact tip M6 CuCrZr; Ø 0.8 (8x28)	10 Pcs.	140.0054	1031
90	Contact tip M6 CuCrZr; Ø 1.0 (8x28)	10 Pcs.	140.0245	1031
90	Contact tip M6 CuCrZr; Ø 1.2 (8x28)	10 Pcs.	140.0382	1031
90	Contact tip M6 CuCrZr; Ø 1.4 (8x28)	10 Pcs.	140.0519	1031
90	Contact tip M6 CuCrZr; Ø 1.6 (8x28)	10 Pcs.	140.0558	1031
90	Contact tip M6 E-Cu; Ø 0.8 for alu wire (8x28)	10 Pcs.	141.0001	1030
90	Contact tip M6 E-Cu; Ø 1.0 for alu wire (8x28)	10 Pcs.	141.0006	1030
90	Contact tip M6 E-Cu; Ø 1.2 for alu wire (8x28)	10 Pcs.	141.0010	1030
90	Contact tip M6 E-Cu; Ø 1.6 for alu wire (8x28)	10 Pcs.	141.0020	1030
90	Contact tip M6 CuCrZr silver-plated; Ø 0.8 (8x28)	10 Pcs.	147.0054	1031
90	Contact tip M6 CuCrZr silver-plated; Ø 1.0 (8x28)	10 Pcs.	147.0245	1031
90	Contact tip M6 CuCrZr silver-plated; Ø 1.2 (8x28)	10 Pcs.	147.0382	1031
91	Contact tip M8 E-Cu; Ø 0.8 (10x30)	10 Pcs.	140.0114	1030
91	Contact tip M8 E-Cu; Ø 1.0 (10x30)	10 Pcs.	140.0313	1030
91	Contact tip M8 E-Cu; Ø 1.2 (10x30)	10 Pcs.	140.0442	1030
91	Contact tip M8 E-Cu; Ø 1.4 (10x30)	10 Pcs.	140.0533	1030
91	Contact tip M8 E-Cu; Ø 1.6 (10x30)	10 Pcs.	140.0587	1030
91	Contact tip M8 CuCrZr; Ø 0.8 (10x30)	10 Pcs.	140.0117	1031
91	Contact tip M8 CuCrZr; Ø 1.0 (10x30)	10 Pcs.	140.0316	1031
91	Contact tip M8 CuCrZr; Ø 1.2 (10x30)	10 Pcs.	140.0445	1031
91	Contact tip M8 CuCrZr; Ø 1.4 (10x30)	10 Pcs.	140.0536	1031
91	Contact tip M8 CuCrZr; Ø 1.6 (10x30)	10 Pcs.	140.0590	1031
91	Contact tip M8 E-Cu; Ø 0.8 for alu wire (10x30)	10 Pcs.	141.0003	1030
91	Contact tip M8 E-Cu; Ø 1.0 for alu wire (10x30)	10 Pcs.	141.0008	1030
91	Contact tip M8 E-Cu; Ø 1.2 for alu wire (10x30)	10 Pcs.	141.0015	1030
91	Contact tip M8 E-Cu; Ø 1.6 for alu wire (10x30)	10 Pcs.	141.0022	1030
91	Contact tip M8 CuCrZr silver-plated; Ø 0.8 (10x30)	10 Pcs.	147.0117	1031
91	Contact tip M8 CuCrZr silver-plated; Ø 1.0 (10x30)	10 Pcs.	147.0316	1031
91	Contact tip M8 CuCrZr silver-plated; Ø 1.2 (10x30)	10 Pcs.	147.0445	1031
91	Contact tip M8 CuCrZr silver-plated; Ø 1.4 (10x30)	10 Pcs.	147.0536	1031
91	Contact tip M8 CuCrZr silver-plated; Ø 1.6 (10x30)	10 Pcs.	147.0590	1031
103	Gas nozzle; cylindrical; ND Ø 20.0	10 Pcs.	145.0051	1037
104	Gas nozzle; conical; ND Ø 16.0	10 Pcs.	145.0085	1037
105	Gas nozzle; tapered; ND Ø 14.0	10 Pcs.	145.0132	1037
120	Guide spiral liner blank; 2.0/4.5; for wire Ø 0.8 - 1.2; for 8.00 m		122.0040	1034
120	Guide spiral liner blank; 2.5/4.5; for wire Ø 1.4 - 1.6; for 8.00 m		122.0065	1034
130	PTFE core liner 2.0/4.0; red; wire electrode Ø 0.8 - 1.2; for 8.00 m		126.0030	1034
130	PTFE core liner 2.7/4.7; yellow; wire electrode Ø 1.4 - 1.6; for 8.00 m		126.0047	1034
130	PTFE carbon core liner 2.0/4.0; wire electrode Ø 0.8 - 1.2; for 8.00 m		127.0009	1034
130	PTFE carbon core liner 2.7/4.7; wire electrode Ø 1.4 - 1.6; for 8.00 m		127.0014	1034
130	Polyamid core liner 2.0/4.0; wire electrode Ø 0.8 - 1.2; for 8.00 m		128.0019	1034
130	Polyamid core liner 2.3/4.7; wire electrode Ø 1.4 - 1.6; for 8.00 m		128.0023	1034
131	Nipple for core liner at Ø 4.0	20 Pcs.	131.0001	1095

MIG/MAG Fume Extraction Torches *RAB Plus* air and liquid cooled "The clean solution ..."

Every welding job generates fumes and smoke that might be hazardous if inhaled. Based on the well-established torch series "MB" the RAB Plus fume extraction torches offer efficient fume extraction through the torch. Special design solutions guarantee efficient smoke removal directly at its source without affecting the protective gas shield.

- Direct extraction at the arc – provides a permanent protection of the welder's respiratory organs
- Problem-free installation in all existing MIG/MAG welding stations
- Small extraction tube diameter – better accessibility
- Aluminum extraction tube – considerable saving of weight
- Handle with extraction control and swivel joint – optimized handling
- A cable assembly with smaller diameters for all types – lower handling weight, optimum flexibility



Technical data
(EN 60 974-7)

MIG/MAG Fume Extraction Torches "RAB Plus" (air cooled)

Type	Rating (A)		Duty cycle (%)	Wire size (mm)
	CO ₂	Mixed Gases M21		
RAB Plus 15 AK	180	150	60	0.6 - 1.0
RAB Plus 24 KD	250	220	60	0.8 - 1.2
RAB Plus 25 AK	230	200	60	0.8 - 1.2
RAB Plus 36 KD	300	270	60	0.8 - 1.2

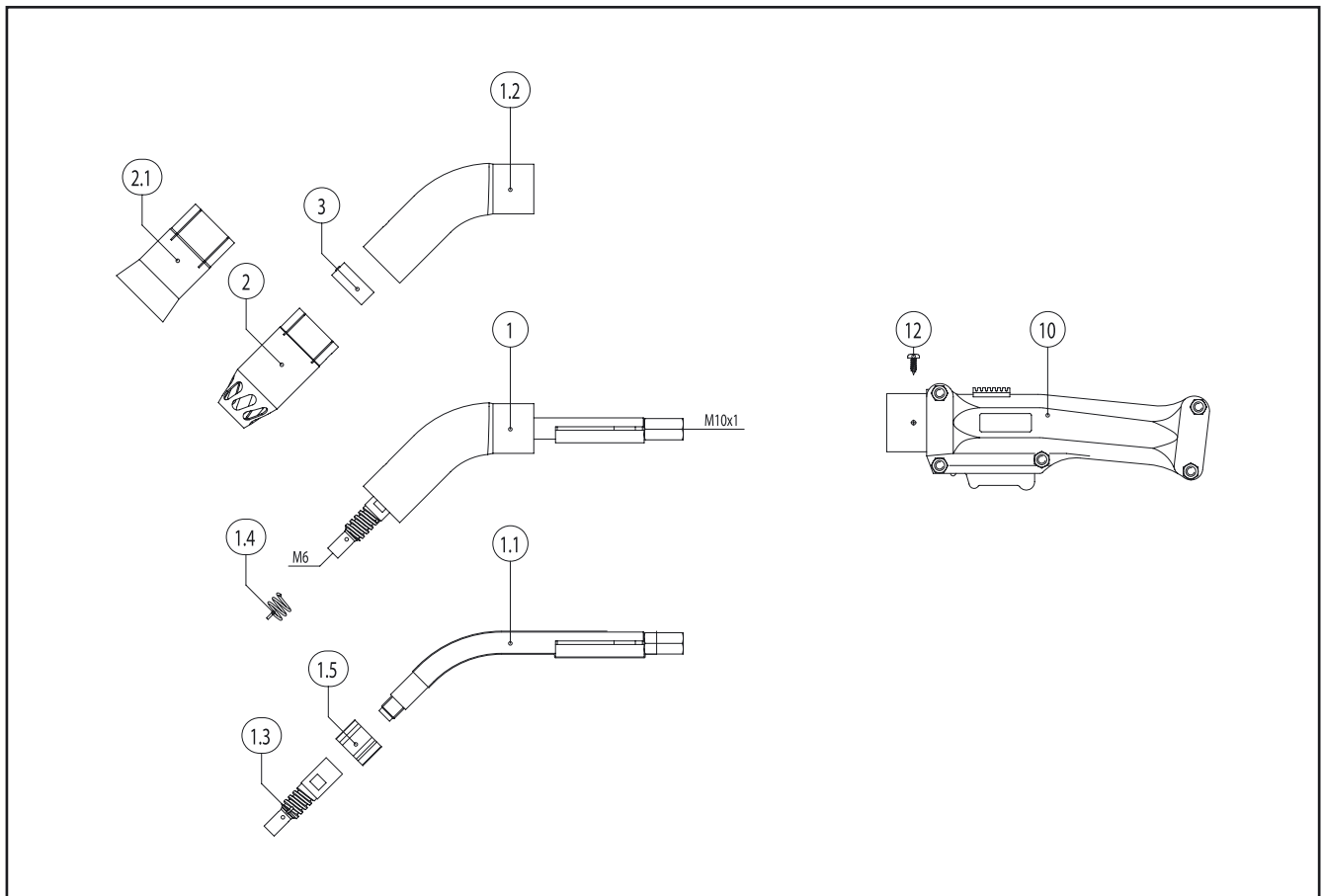
Subject to change without notice.

MIG/MAG Fume Extraction Torches "RAB Plus" (liquid cooled)

Type	Rating (A)		Duty cycle (%)	Wire size (mm)
	CO ₂	Mixed Gases M21		
RAB Plus 240 D	300	270	100	0.8 - 1.2
RAB Plus 501	550	500	100	1.0 - 1.6
RAB Plus 501 D	500	450	100	1.0 - 1.6

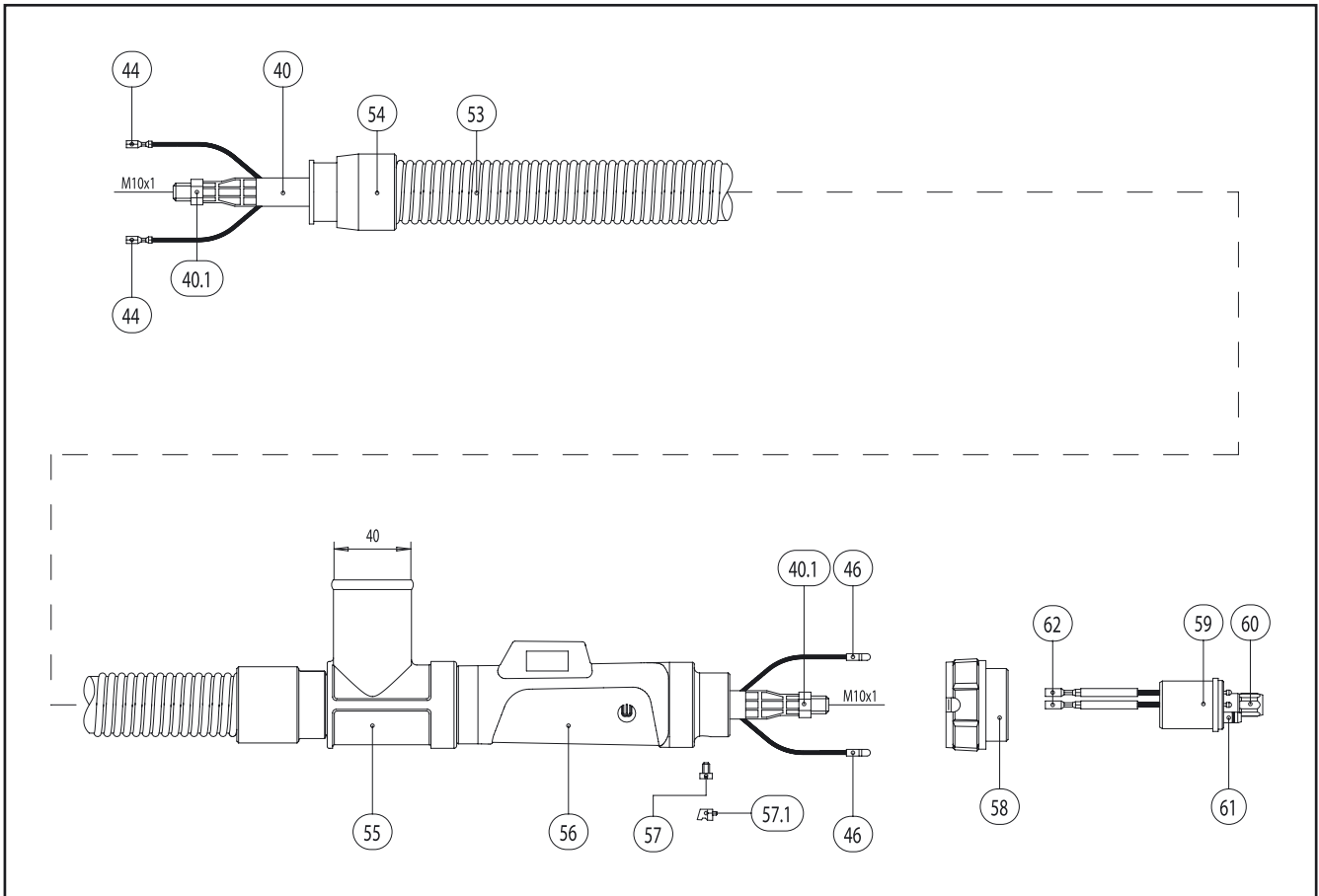
Subject to change without notice.

MIG/MAG Fume Extraction Torch RAB Plus 15 AK



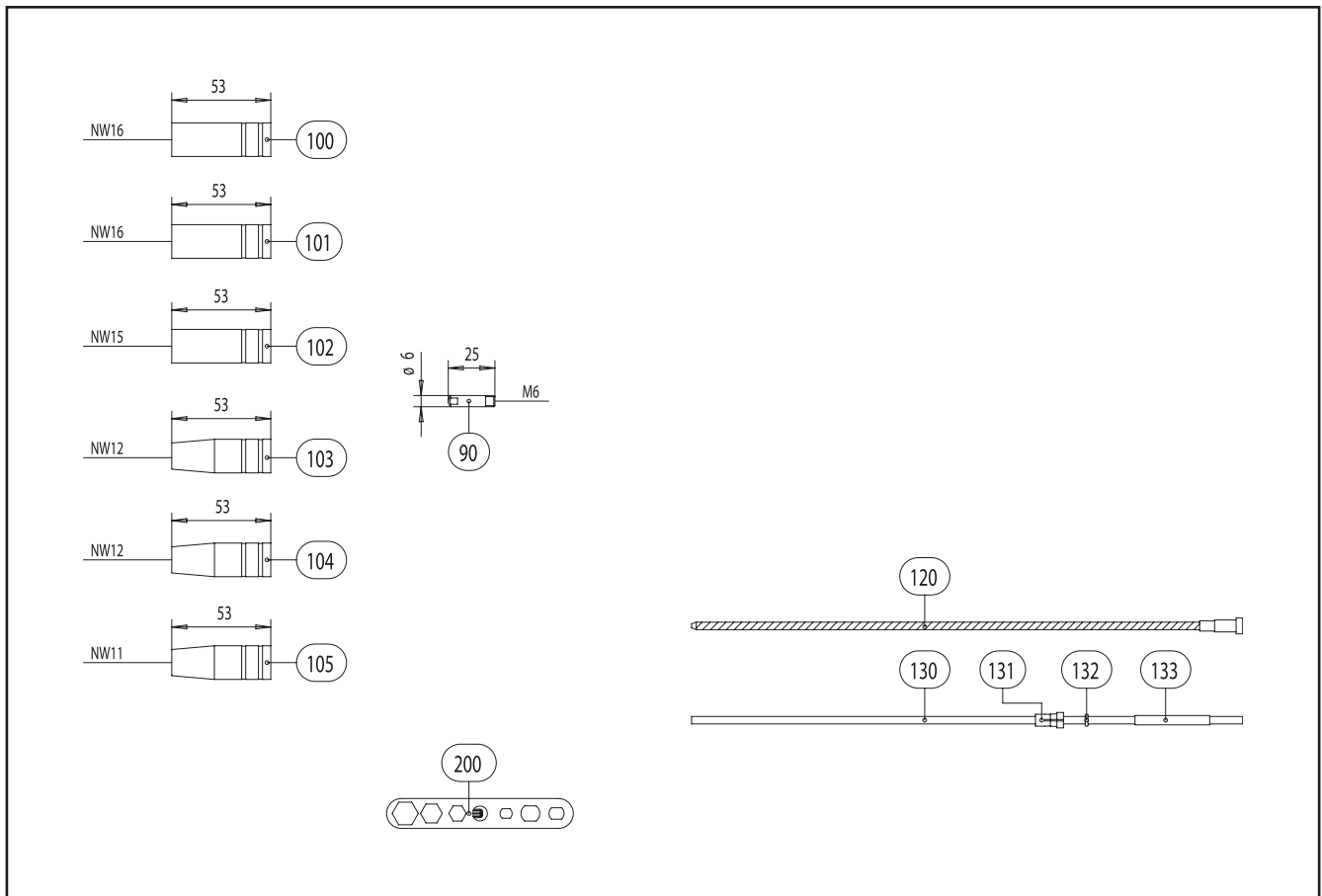
Pos.	Description	Units	Part-No.	Product-group
	Torch			
	RAB Plus 15 AK; central adaptor KZ-2; 3.00 m		602.2004	1600
	RAB Plus 15 AK; central adaptor KZ-2; 4.00 m		602.2005	1600
	RAB Plus 15 AK; central adaptor KZ-2; 5.00 m		602.2006	1600
	Swan neck			
1	Swan neck RAB Plus 15 AK cpl. with outer neck		602.2001	1007
1.1	Inner neck; 45° bent		602.2002	1095
1.2	Outer neck		600.2001	1095
1.3	Gas nozzle holder AUT 15 AK		902.0007	1095
1.4	Nozzle spring	20 Pcs.	002.0058	1095
1.5	Insulating part		602.2003	1095
	Fume shroud			
2	Fume shroud		600.2003	1602
2.1	Fume shroud (funnel)		602.0040	1602
3	Spring clip		600.2037	1095
	Handle			
10	Fume extraction handle cpl.		180.0110	1095
w/o. fig.	Handle halves cpl. with slide		600.2015	1095
w/o. fig.	Trigger		600.0078	1095
w/o. fig.	Pressure spring	10 Pcs.	600.0079	1095
w/o. fig.	Micro switch		185.0027	9010
w/o. fig.	Hexagon nut M4	20 Pcs.	009.0172	9010
w/o. fig.	Pan head screw	20 Pcs.	000.0647	9010
w/o. fig.	Slide		600.2016	1095
12	Srew 3.5x9.5	20 Pcs.	079.0034	9010
	Cable assembly			
40	Bikox® power cable 2-pole RAB Plus, B4 for 3.00 m		660.0001	1011
40	Bikox® power cable 2-pole RAB Plus, B4 for 4.00 m		660.0002	1011

MIG/MAG Fume Extraction Torch RAB Plus 15 AK

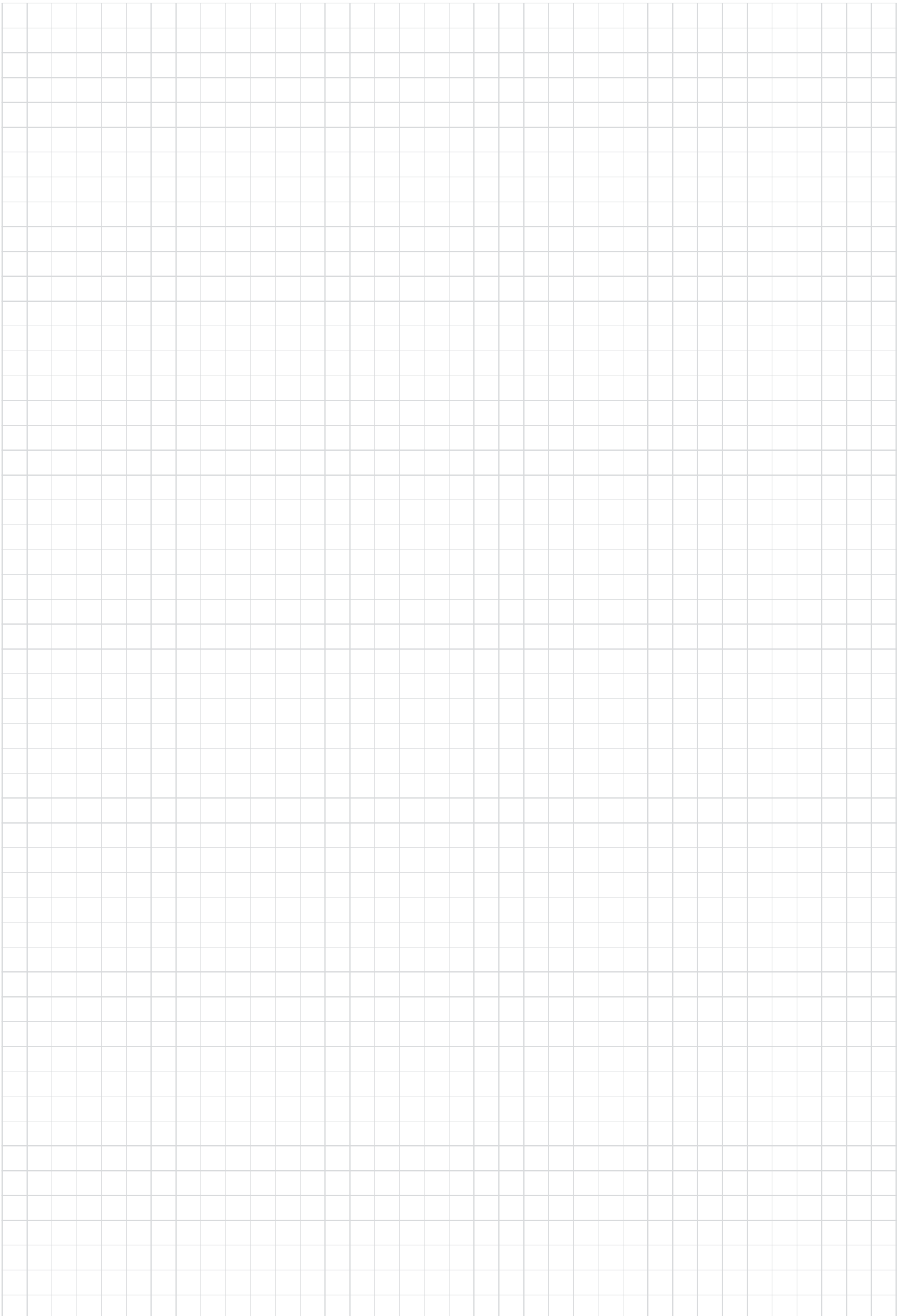


Pos.	Description	Units	Part-No.	Product-group
40	Bikox® power cable 2-pole RAB Plus, B4 for 5.00 m		660.0003	1011
40.1	Hexagon nut M10x1	10 Pcs.	001.0009	9010
44	Trigger wire connector	20 Pcs.	175.0022	9010
46	Plug	20 Pcs.	175.0004	9010
53	Hose 32 black LW 28 R	30 m	109.0042	4050
54	Connector		602.0080	1095
55	Hose connector cpl. for LW 28		602.0082	1095
56	Cable support machine side		501.2278	9010
57	Pan head screw M4x6	20 Pcs.	000.0552	9010
57.1	Screw cap 2	20 Pcs.	500.0362	9010
58	Adaptor nut M33x2		500.0213	9010
59	Central adaptor KZ-2		501.0003	1095
60	Coupling nut M10x1	10 Pcs.	501.0082	9010
61	O-Ring 4x1	20 Pcs.	165.0002	9010
62	Trigger wire connector; female	20 Pcs.	175.0003	9010
Wear parts				
90	Contact tip M6 E-Cu; Ø 0.8 (6x25)	10 Pcs.	140.0059	1030
90	Contact tip M6 E-Cu; Ø 1.0 (6x25)	10 Pcs.	140.0253	1030
90	Contact tip M6 CuCrZr; Ø 0.8 (6x25)	10 Pcs.	140.0062	1031
90	Contact tip M6 CuCrZr; Ø 1.0 (6x25)	10 Pcs.	140.0256	1031
90	Contact tip M6 E-Cu; Ø 0.8 for alu wire (6x25)	10 Pcs.	141.0002	1030
90	Contact tip M6 E-Cu; Ø 1.0 for alu wire (6x25)	10 Pcs.	141.0007	1030
90	Contact tip M6 CuCrZr silver-plated; Ø 0.8 (6x25)	10 Pcs.	147.0062	1031
90	Contact tip M6 CuCrZr silver-plated; Ø 1.0 (6x25)	10 Pcs.	147.0256	1031
100	Gas nozzle; cylindrical; ND Ø 16.0	10 Pcs.	145.0041	1036
101	Gas nozzle; cylindrical with extended insulation; ND Ø 16.0	10 Pcs.	145.0067	1036
102	Gas nozzle; cylindrical; heavy duty; ND Ø 15.0	10 Pcs.	145.0072	1036
103	Gas nozzle; conical; ND Ø 12.0	10 Pcs.	145.0075	1036

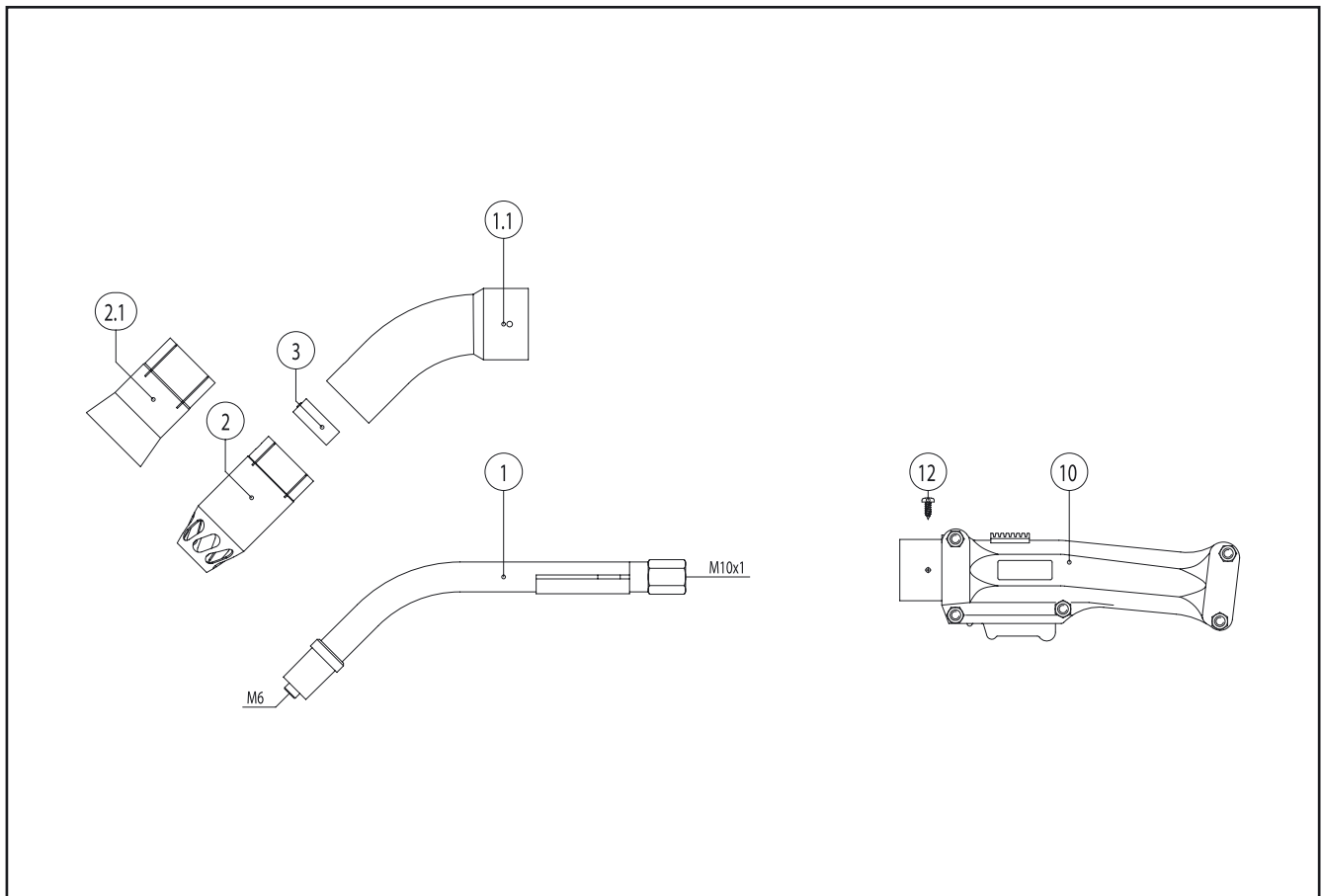
MIG/MAG Fume Extraction Torch RAB Plus 15 AK



Pos.	Description	Units	Part-No.	Product-group
104	Gas nozzle; conical; with extended insulation; ND Ø 12.0	10 Pcs.	145.0107	1036
105	Gas nozzle; conical; heavy duty; ND Ø 11.0	10 Pcs.	145.0116	1036
120	Guide spiral liner insulated; 1.5/4.5; blue; for wire Ø 0.6 - 0.8; for 3.00 m		124.0011	1034
120	Guide spiral liner insulated; 1.5/4.5; blue; for wire Ø 0.6 - 0.8; for 4.00 m		124.0012	1034
120	Guide spiral liner insulated; 1.5/4.5; blue; for wire Ø 0.6 - 0.8; for 5.00 m		124.0015	1034
120	Guide spiral liner insulated; 2.0/4.5; red; for wire Ø 1.0 - 1.2; for 3.00 m		124.0026	1034
120	Guide spiral liner insulated; 2.0/4.5; red; for wire Ø 1.0 - 1.2; for 4.00 m		124.0031	1034
120	Guide spiral liner insulated; 2.0/4.5; red; for wire Ø 1.0 - 1.2; for 5.00 m		124.0035	1034
130	PTFE core liner 1.5/4.0; blue; wire electrode Ø 0.8 - 1.0; for 3.00 m		126.0005	1034
130	PTFE core liner 1.5/4.0; blue; wire electrode Ø 0.8 - 1.0; for 4.00 m		126.0008	1034
130	PTFE core liner 1.5/4.0; blue; wire electrode Ø 0.8 - 1.0; for 5.00 m		126.0011	1034
130	PTFE carbon core liner 1.5/4.0; wire electrode Ø 0.8 - 1.0; for 3.00 m		127.0002	1034
130	PTFE carbon core liner 1.5/4.0; wire electrode Ø 0.8 - 1.0; for 4.00 m		127.0003	1034
130	PTFE carbon core liner 1.5/4.0; wire electrode Ø 0.8 - 1.0; for 5.00 m		127.0004	1034
131	Nipple for core liner at Ø 4.0	20 Pcs.	131.0001	1095
132	O-Ring 3.5x1.5	20 Pcs.	165.0008	9010
133	Guide tube for core liners up to Ø 4.0 (200 mm)		129.0461	1095
200	Spanner		191.0001	9010

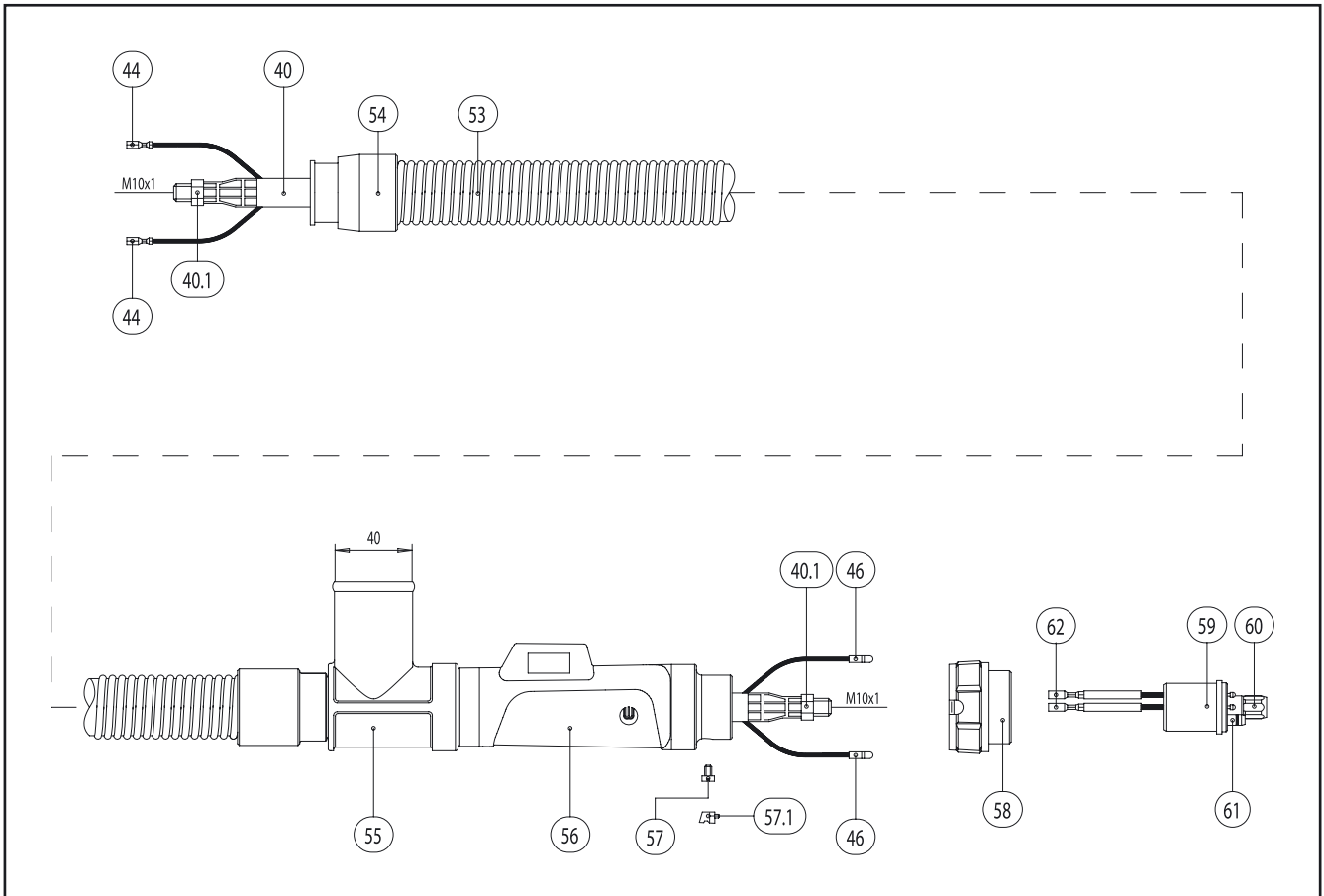


MIG/MAG Fume Extraction Torch RAB Plus 24 KD



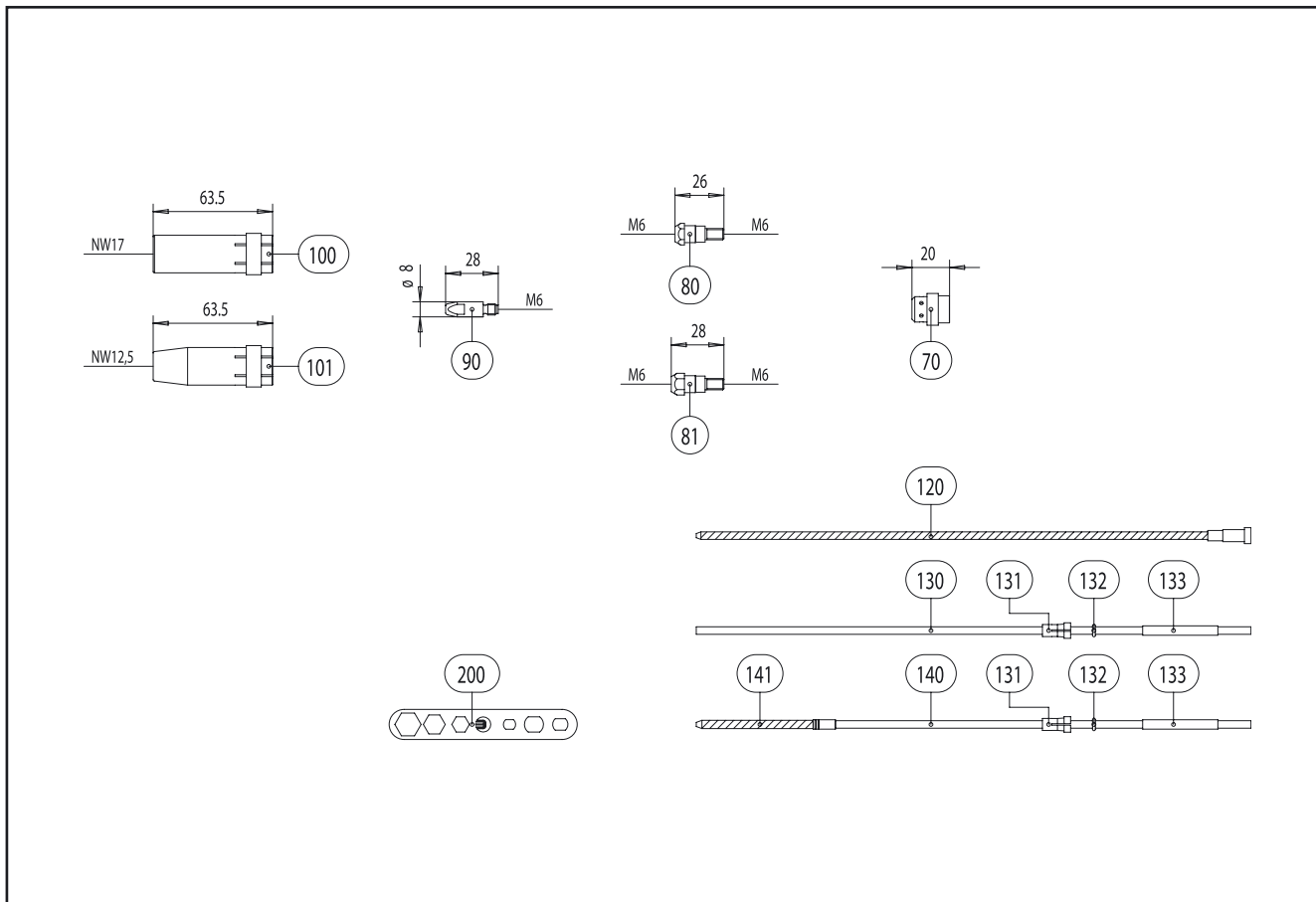
Pos.	Description	Units	Part-No.	Product-group
Torch				
	RAB Plus 24 KD; central adaptor KZ-2; 3.00 m		612.2002	1600
	RAB Plus 24 KD; central adaptor KZ-2; 4.00 m		612.2003	1600
	RAB Plus 24 KD; central adaptor KZ-2; 5.00 m		612.2004	1600
Swan neck				
1	Swan neck RAB Plus 24 KD		612.2001	1007
1.1	Outer neck		600.2002	1095
Fume shroud				
2	Fume shroud for gas nozzle Ø 20.0		600.2005	1602
2.1	Fume shroud (funnel)		612.0023	1602
3	Spring clip		600.2028	1095
Handle				
10	Fume extraction handle cpl.		180.0110	1095
w/o. fig.	Handle halves cpl. with slide		600.2015	1095
w/o. fig.	Trigger		600.0078	1095
w/o. fig.	Pressure spring	10 Pcs.	600.0079	1095
w/o. fig.	Micro switch		185.0027	9010
w/o. fig.	Hexagon nut M4	20 Pcs.	009.0172	9010
w/o. fig.	Pan head screw	20 Pcs.	000.0647	9010
w/o. fig.	Slide		600.2016	1095
12	Srew 3.5x9.5	20 Pcs.	079.0034	9010
Cable assembly				
40	Bikox® power cable 2-pole RAB Plus, B6 for 3.00 m		660.0010	1011
40	Bikox® power cable 2-pole RAB Plus, B6 for 4.00 m		660.0011	1011
40	Bikox® power cable 2-pole RAB Plus, B6 for 5.00 m		660.0012	1011
40.1	Hexagon nut M10x1	10 Pcs.	001.0009	9010
44	Trigger wire connector	20 Pcs.	175.0022	9010
46	Plug	20 Pcs.	175.0004	9010

MIG/MAG Fume Extraction Torch RAB Plus 24 KD

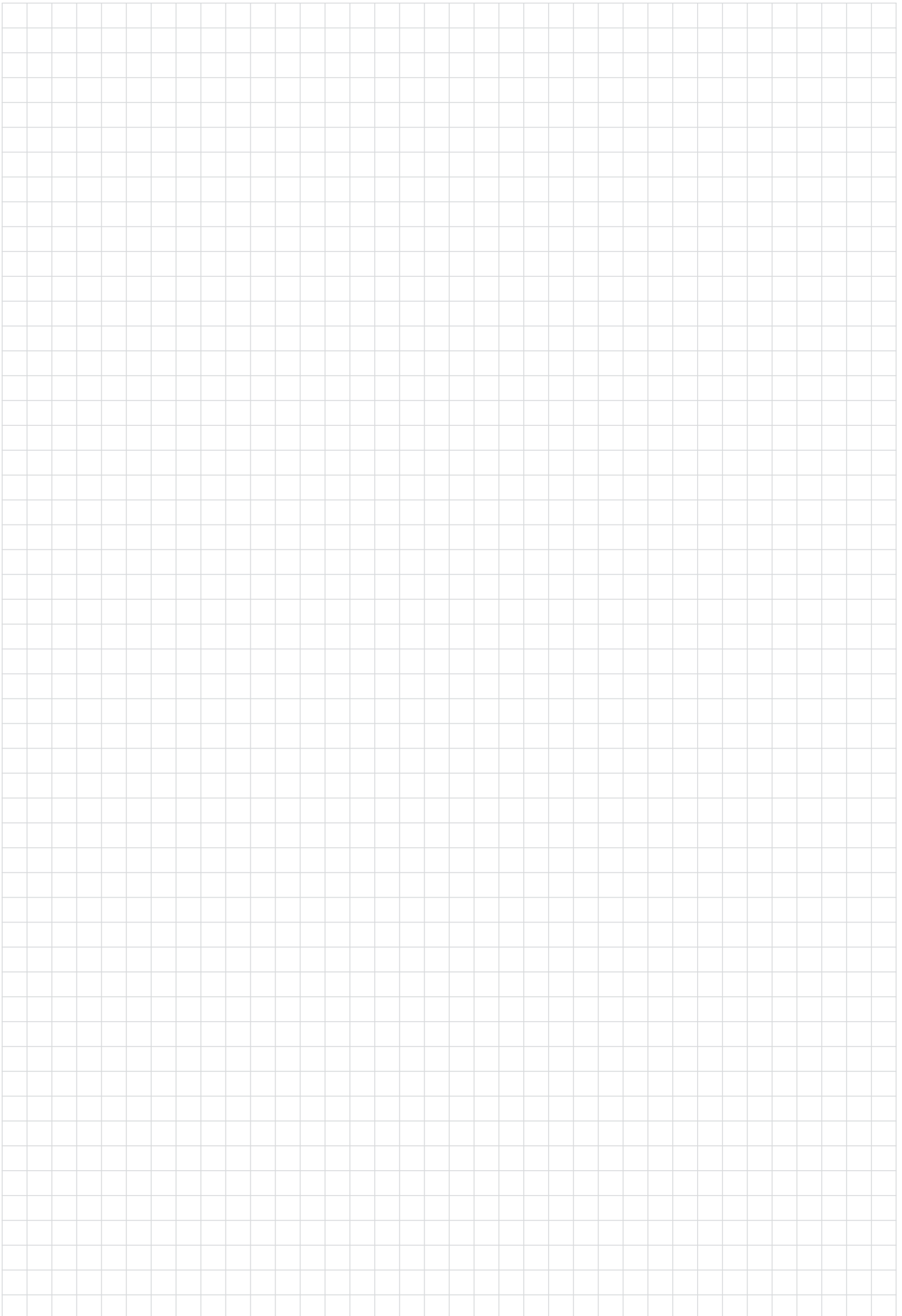


Pos.	Description	Units	Part-No.	Product-group
53	Hose 32 black LW 28 R	30 m	109.0042	4050
54	Connector		602.0080	1095
55	Hose connector cpl. for LW 28		602.0082	1095
56	Cable support machine side		501.2278	9010
57	Pan head screw M4x6	20 Pcs.	000.0552	9010
57.1	Screw cap 2	20 Pcs.	500.0362	9010
58	Adaptor nut M33x2		500.0213	9010
59	Central adaptor KZ-2		501.0003	1095
60	Coupling nut M10x1	10 Pcs.	501.0082	9010
61	O-Ring 4x1	20 Pcs.	165.0002	9010
62	Trigger wire connector; female	20 Pcs.	175.0003	9010
Wear parts				
70	Gas diffuser, white	10 Pcs.	012.0183	1032
70	Gas diffuser, silicone rubber	10 Pcs.	012.0243	1032
80	Contact tip holder M6; 26.0 mm	10 Pcs.	142.0003	1033
81	Contact tip holder M6; 28.0 mm	10 Pcs.	142.0010	1033
90	Contact tip M6 E-Cu; Ø 0.8 (8x28)	10 Pcs.	140.0051	1030
90	Contact tip M6 E-Cu; Ø 1.0 (8x28)	10 Pcs.	140.0242	1030
90	Contact tip M6 E-Cu; Ø 1.2 (8x28)	10 Pcs.	140.0379	1030
90	Contact tip M6 CuCrZr; Ø 0.8 (8x28)	10 Pcs.	140.0054	1031
90	Contact tip M6 CuCrZr; Ø 1.0 (8x28)	10 Pcs.	140.0245	1031
90	Contact tip M6 CuCrZr; Ø 1.2 (8x28)	10 Pcs.	140.0382	1031
90	Contact tip M6 E-Cu; Ø 0.8 for alu wire (8x28)	10 Pcs.	141.0001	1030
90	Contact tip M6 E-Cu; Ø 1.0 for alu wire (8x28)	10 Pcs.	141.0006	1030
90	Contact tip M6 E-Cu; Ø 1.2 for alu wire (8x28)	10 Pcs.	141.0010	1030
90	Contact tip M6 CuCrZr silver-plated; Ø 0.8 (8x28)	10 Pcs.	147.0054	1031
90	Contact tip M6 CuCrZr silver-plated; Ø 1.0 (8x28)	10 Pcs.	147.0245	1031
90	Contact tip M6 CuCrZr silver-plated; Ø 1.2 (8x28)	10 Pcs.	147.0382	1031

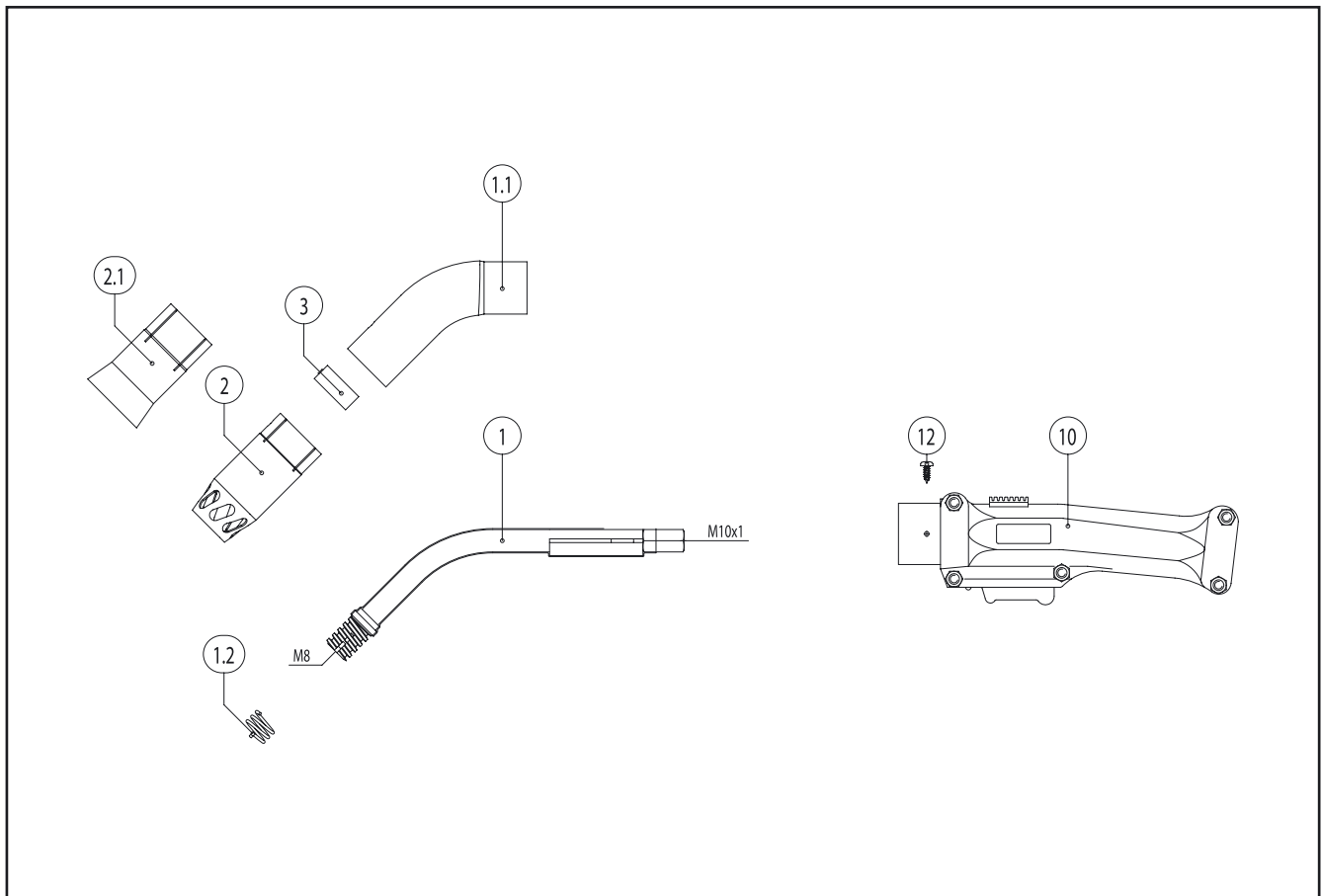
MIG/MAG Fume Extraction Torch RAB Plus 24 KD



Pos.	Description	Units	Part-No.	Product-group
100	Gas nozzle; cylindrical; ND Ø 17.0	10 Pcs.	145.0047	1036
101	Gas nozzle; conical; ND Ø 12.5	10 Pcs.	145.0080	1036
120	Guide spiral liner insulated; 1.5/4.5; blue; for wire Ø 0.6 - 0.8; for 3.00 m		124.0011	1034
120	Guide spiral liner insulated; 1.5/4.5; blue; for wire Ø 0.6 - 0.8; for 4.00 m		124.0012	1034
120	Guide spiral liner insulated; 1.5/4.5; blue; for wire Ø 0.6 - 0.8; for 5.00 m		124.0015	1034
120	Guide spiral liner insulated; 2.0/4.5; red; for wire Ø 1.0 - 1.2; for 3.00 m		124.0026	1034
120	Guide spiral liner insulated; 2.0/4.5; red; for wire Ø 1.0 - 1.2; for 4.00 m		124.0031	1034
120	Guide spiral liner insulated; 2.0/4.5; red; for wire Ø 1.0 - 1.2; for 5.00 m		124.0035	1034
130	PTFE core liner 1.5/4.0; blue; wire electrode Ø 0.8 - 1.0; for 3.00 m		126.0005	1034
130	PTFE core liner 1.5/4.0; blue; wire electrode Ø 0.8 - 1.0; for 4.00 m		126.0008	1034
130	PTFE core liner 1.5/4.0; blue; wire electrode Ø 0.8 - 1.0; for 5.00 m		126.0011	1034
130	PTFE core liner 2.0/4.0; red; wire electrode Ø 1.0 - 1.2; for 3.00 m		126.0021	1034
130	PTFE core liner 2.0/4.0; red; wire electrode Ø 1.0 - 1.2; for 4.00 m		126.0026	1034
130	PTFE core liner 2.0/4.0; red; wire electrode Ø 1.0 - 1.2; for 5.00 m		126.0028	1034
130	PTFE carbon core liner 1.5/4.0; wire electrode Ø 0.8 - 1.0; for 3.00 m		127.0002	1034
130	PTFE carbon core liner 1.5/4.0; wire electrode Ø 0.8 - 1.0; for 4.00 m		127.0003	1034
130	PTFE carbon core liner 1.5/4.0; wire electrode Ø 0.8 - 1.0; for 5.00 m		127.0004	1034
130	PTFE carbon core liner 2.0/4.0; wire electrode Ø 1.0 - 1.2; for 3.00 m		127.0005	1034
130	PTFE carbon core liner 2.0/4.0; wire electrode Ø 1.0 - 1.2; for 4.00 m		127.0007	1034
130	PTFE carbon core liner 2.0/4.0; wire electrode Ø 1.0 - 1.2; for 5.00 m		127.0008	1034
131	Nipple for core liner at Ø 4.0	20 Pcs.	131.0001	1095
132	O-Ring 3.5x1.5	20 Pcs.	165.0008	9010
133	Guide tube for core liners up to Ø 4.0 (200 mm)		129.0461	1095
140	Combined wire guide cpl. polyamide/brass; 2.0/4.0; wire Ø 1.0 - 1.2; for 3.00 m		128.M002	1034
140	Combined wire guide cpl. polyamide/brass; 2.0/4.0; wire Ø 1.0 - 1.2; for 4.00 m		128.M003	1034
140	Combined wire guide cpl. polyamide/brass; 2.0/4.0; wire Ø 1.0 - 1.2; for 5.00 m		128.M004	1034
141	Brass spiral made up with sleeve (200 mm)		001.0305	1095
200	Spanner		191.0001	9010

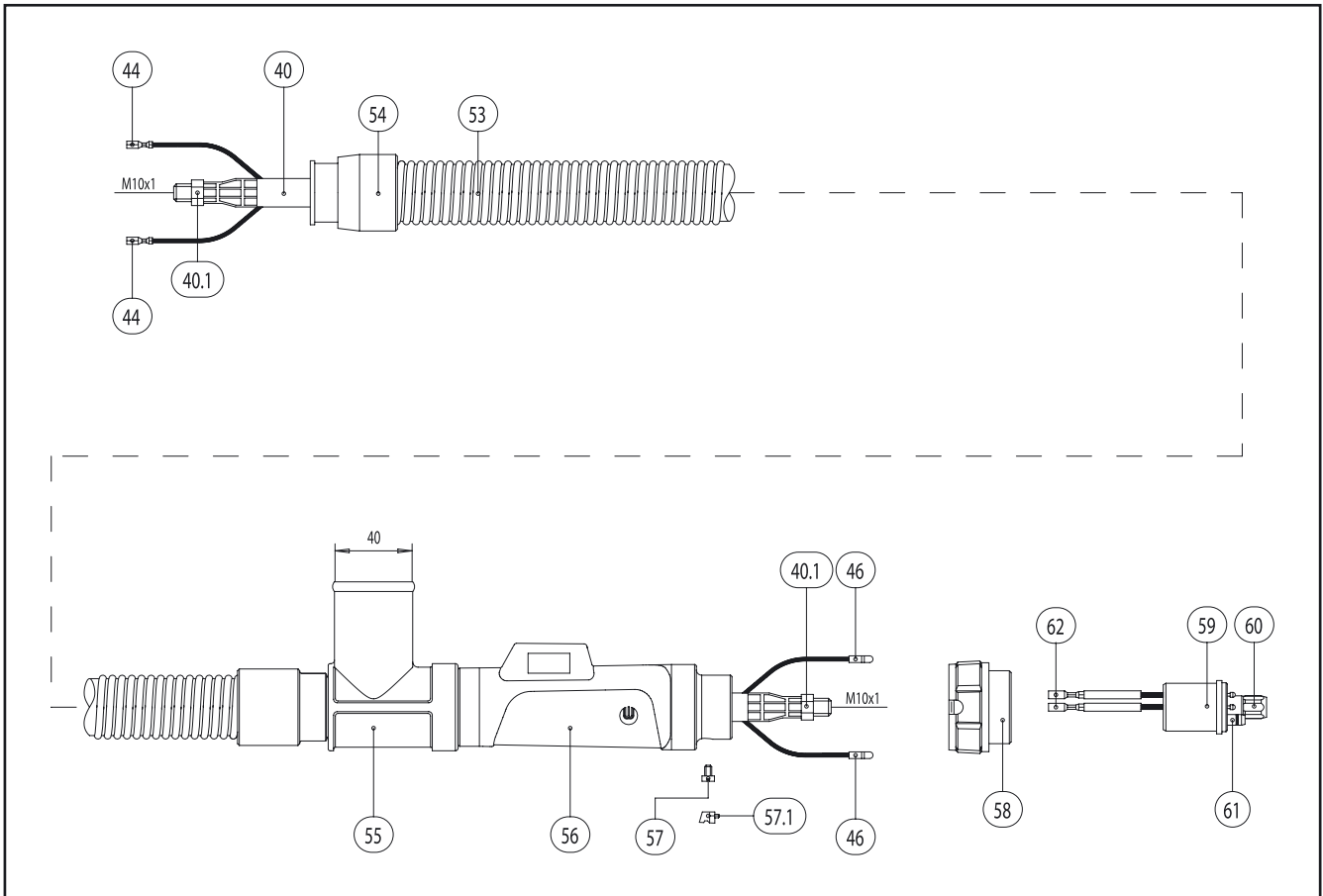


MIG/MAG Fume Extraction Torch RAB Plus 25 AK



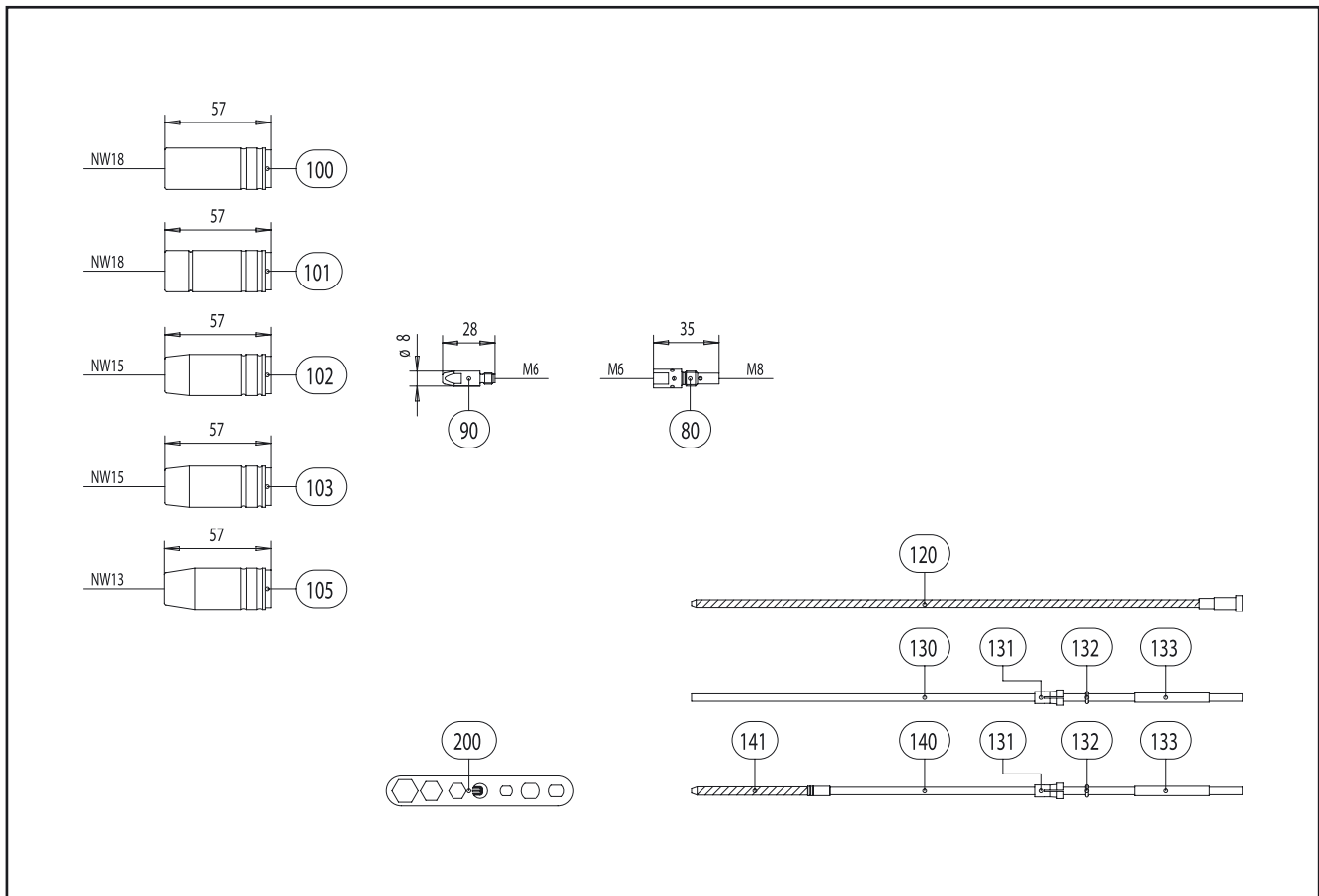
Pos.	Description	Units	Part-No.	Product-group
	Torch			
	RAB Plus 25 AK; central adaptor KZ-2; 3.00 m		604.2004	1600
	RAB Plus 25 AK; central adaptor KZ-2; 4.00 m		604.2005	1600
	RAB Plus 25 AK; central adaptor KZ-2; 5.00 m		604.2006	1600
	Swan neck			
1	Swan neck RAB Plus 25 AK		604.2001	1007
1.1	Outer neck		600.2001	1095
1.2	Nozzle spring	20 Pcs.	003.0013	1095
	Fume shroud			
2	Fume shroud		600.2004	1602
2.1	Fume shroud (funnel)		602.0040	1602
3	Spring clip		600.2037	1095
	Handle			
10	Fume extraction handle cpl.		180.0110	1095
w/o. fig.	Handle halves cpl. with slide		600.2015	1095
w/o. fig.	Trigger		600.0078	1095
w/o. fig.	Pressure spring	10 Pcs.	600.0079	1095
w/o. fig.	Micro switch		185.0027	9010
w/o. fig.	Hexagon nut M4	20 Pcs.	009.0172	9010
w/o. fig.	Pan head screw	20 Pcs.	000.0647	9010
w/o. fig.	Slide		600.2016	1095
12	Srew 3.5x9.5	20 Pcs.	079.0034	9010
	Cable assembly			
40	Bikox® power cable 2-pole RAB Plus, B5 for 3.00 m		660.0005	1011
40	Bikox® power cable 2-pole RAB Plus, B5 for 4.00 m		660.0006	1011
40	Bikox® power cable 2-pole RAB Plus, B5 for 5.00 m		660.0007	1011
40.1	Hexagon nut M10x1	10 Pcs.	001.0009	9010
44	Trigger wire connector	20 Pcs.	175.0022	9010

MIG/MAG Fume Extraction Torch RAB Plus 25 AK



Pos.	Description	Units	Part-No.	Product-group
46	Plug	20 Pcs.	175.0004	9010
53	Hose 32 black LW 28 R	30 m	109.0042	4050
54	Connector		602.0080	1095
55	Hose connector cpl. for LW 28		602.0082	1095
56	Cable support machine side		501.2278	9010
57	Pan head screw M4x6	20 Pcs.	000.0552	9010
57.1	Screw cap 2	20 Pcs.	500.0362	9010
58	Adaptor nut M33x2		500.0213	9010
59	Central adaptor KZ-2		501.0003	1095
60	Coupling nut M10x1	10 Pcs.	501.0082	9010
61	O-Ring 4x1	20 Pcs.	165.0002	9010
62	Trigger wire connector; female	20 Pcs.	175.0003	9010
	Wear parts			
80	Contact tip holder M6; 35.0 mm	10 Pcs.	142.0001	1033
90	Contact tip M6 E-Cu; Ø 0.8 (8x28)	10 Pcs.	140.0051	1030
90	Contact tip M6 E-Cu; Ø 1.0 (8x28)	10 Pcs.	140.0242	1030
90	Contact tip M6 E-Cu; Ø 1.2 (8x28)	10 Pcs.	140.0379	1030
90	Contact tip M6 CuCrZr; Ø 0.8 (8x28)	10 Pcs.	140.0054	1031
90	Contact tip M6 CuCrZr; Ø 1.0 (8x28)	10 Pcs.	140.0245	1031
90	Contact tip M6 CuCrZr; Ø 1.2 (8x28)	10 Pcs.	140.0382	1031
90	Contact tip M6 E-Cu; Ø 0.8 for alu wire (8x28)	10 Pcs.	141.0001	1030
90	Contact tip M6 E-Cu; Ø 1.0 for alu wire (8x28)	10 Pcs.	141.0006	1030
90	Contact tip M6 E-Cu; Ø 1.2 for alu wire (8x28)	10 Pcs.	141.0010	1030
90	Contact tip M6 CuCrZr silver-plated; Ø 0.8 (8x28)	10 Pcs.	147.0054	1031
90	Contact tip M6 CuCrZr silver-plated; Ø 1.0 (8x28)	10 Pcs.	147.0245	1031
90	Contact tip M6 CuCrZr silver-plated; Ø 1.2 (8x28)	10 Pcs.	147.0382	1031
100	Gas nozzle; cylindrical; ND Ø 18.0	10 Pcs.	145.0042	1036
101	Gas nozzle; cylindrical with extended insulation; ND Ø 18.0	10 Pcs.	145.0061	1036

MIG/MAG Fume Extraction Torch RAB Plus 25 AK

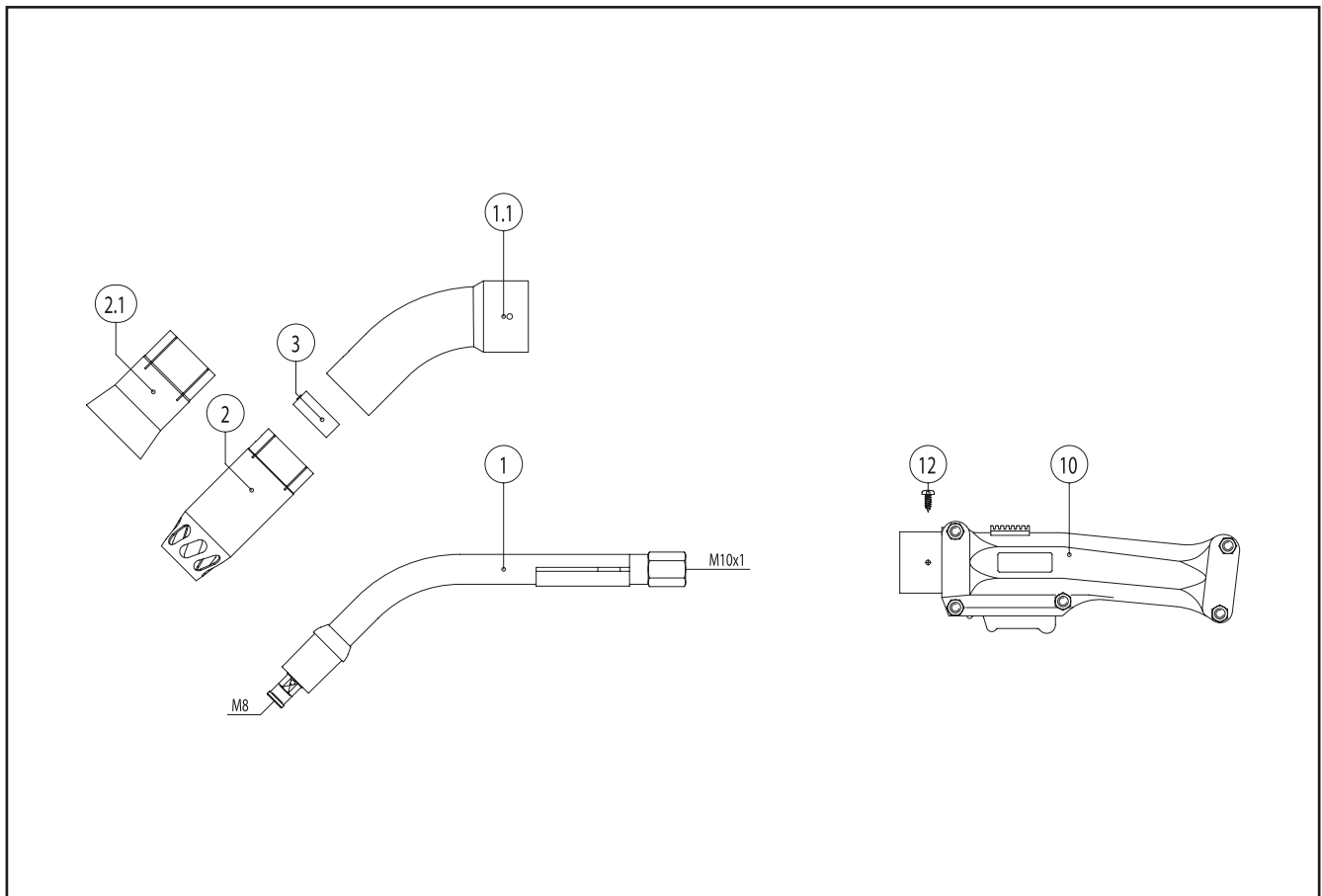


Pos.	Description	Units	Part-No.	Product-group
102	Gas nozzle; conical; ND Ø 15.0	10 Pcs.	145.0076	1036
103	Gas nozzle; conical; with extended insulation; ND Ø 15.0	10 Pcs.	145.0100	1036
105	Gas nozzle; tapered, with extended insulation; ND Ø 13.0	10 Pcs.	145.0432	1036
120	Guide spiral liner insulated; 1.5/4.5; blue; for wire Ø 0.6 - 0.8; for 3.00 m		124.0011	1034
120	Guide spiral liner insulated; 1.5/4.5; blue; for wire Ø 0.6 - 0.8; for 4.00 m		124.0012	1034
120	Guide spiral liner insulated; 1.5/4.5; blue; for wire Ø 0.6 - 0.8; for 5.00 m		124.0015	1034
120	Guide spiral liner insulated; 2.0/4.5; red; for wire Ø 1.0 - 1.2; for 3.00 m		124.0026	1034
120	Guide spiral liner insulated; 2.0/4.5; red; for wire Ø 1.0 - 1.2; for 4.00 m		124.0031	1034
120	Guide spiral liner insulated; 2.0/4.5; red; for wire Ø 1.0 - 1.2; for 5.00 m		124.0035	1034
130	PTFE core liner 1.5/4.0; blue; wire electrode Ø 0.8 - 1.0; for 3.00 m		126.0005	1034
130	PTFE core liner 1.5/4.0; blue; wire electrode Ø 0.8 - 1.0; for 4.00 m		126.0008	1034
130	PTFE core liner 1.5/4.0; blue; wire electrode Ø 0.8 - 1.0; for 5.00 m		126.0011	1034
130	PTFE core liner 2.0/4.0; red; wire electrode Ø 1.0 - 1.2; for 3.00 m		126.0021	1034
130	PTFE core liner 2.0/4.0; red; wire electrode Ø 1.0 - 1.2; for 4.00 m		126.0026	1034
130	PTFE core liner 2.0/4.0; red; wire electrode Ø 1.0 - 1.2; for 5.00 m		126.0028	1034
130	PTFE carbon core liner 1.5/4.0; wire electrode Ø 0.8 - 1.0; for 3.00 m		127.0002	1034
130	PTFE carbon core liner 1.5/4.0; wire electrode Ø 0.8 - 1.0; for 4.00 m		127.0003	1034
130	PTFE carbon core liner 1.5/4.0; wire electrode Ø 0.8 - 1.0; for 5.00 m		127.0004	1034
130	PTFE carbon core liner 2.0/4.0; wire electrode Ø 1.0 - 1.2; for 3.00 m		127.0005	1034
130	PTFE carbon core liner 2.0/4.0; wire electrode Ø 1.0 - 1.2; for 4.00 m		127.0007	1034
130	PTFE carbon core liner 2.0/4.0; wire electrode Ø 1.0 - 1.2; for 5.00 m		127.0008	1034
131	Nipple for core liner at Ø 4.0	20 Pcs.	131.0001	1095
132	O-Ring 3.5x1.5	20 Pcs.	165.0008	9010
133	Guide tube for core liners up to Ø 4.0 (200 mm)		129.0461	1095
140	Combined wire guide cpl. polyamide/brass; 2.0/4.0; wire Ø 1.0 - 1.2; for 3.00 m		128.M002	1034
140	Combined wire guide cpl. polyamide/brass; 2.0/4.0; wire Ø 1.0 - 1.2; for 4.00 m		128.M003	1034
140	Combined wire guide cpl. polyamide/brass; 2.0/4.0; wire Ø 1.0 - 1.2; for 5.00 m		128.M004	1034
141	Brass spiral made up with sleeve (200 mm)		001.0305	1095

MIG/MAG Fume Extraction Torch RAB Plus 25 AK

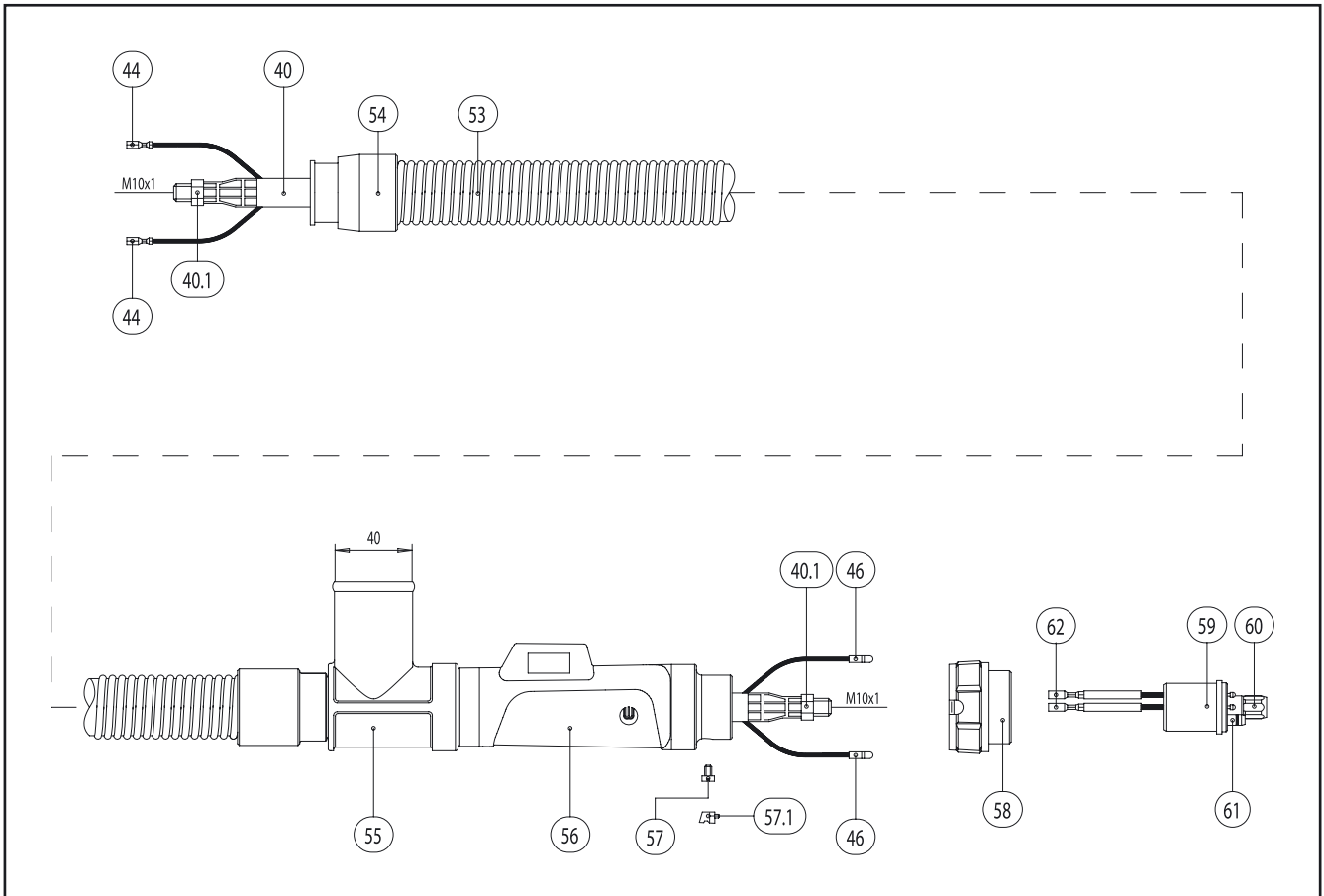
Pos.	Description	Units	Part-No.		Product-group
200	Spanner		191.0001		9010

MIG/MAG Fume Extraction Torch RAB Plus 36 KD



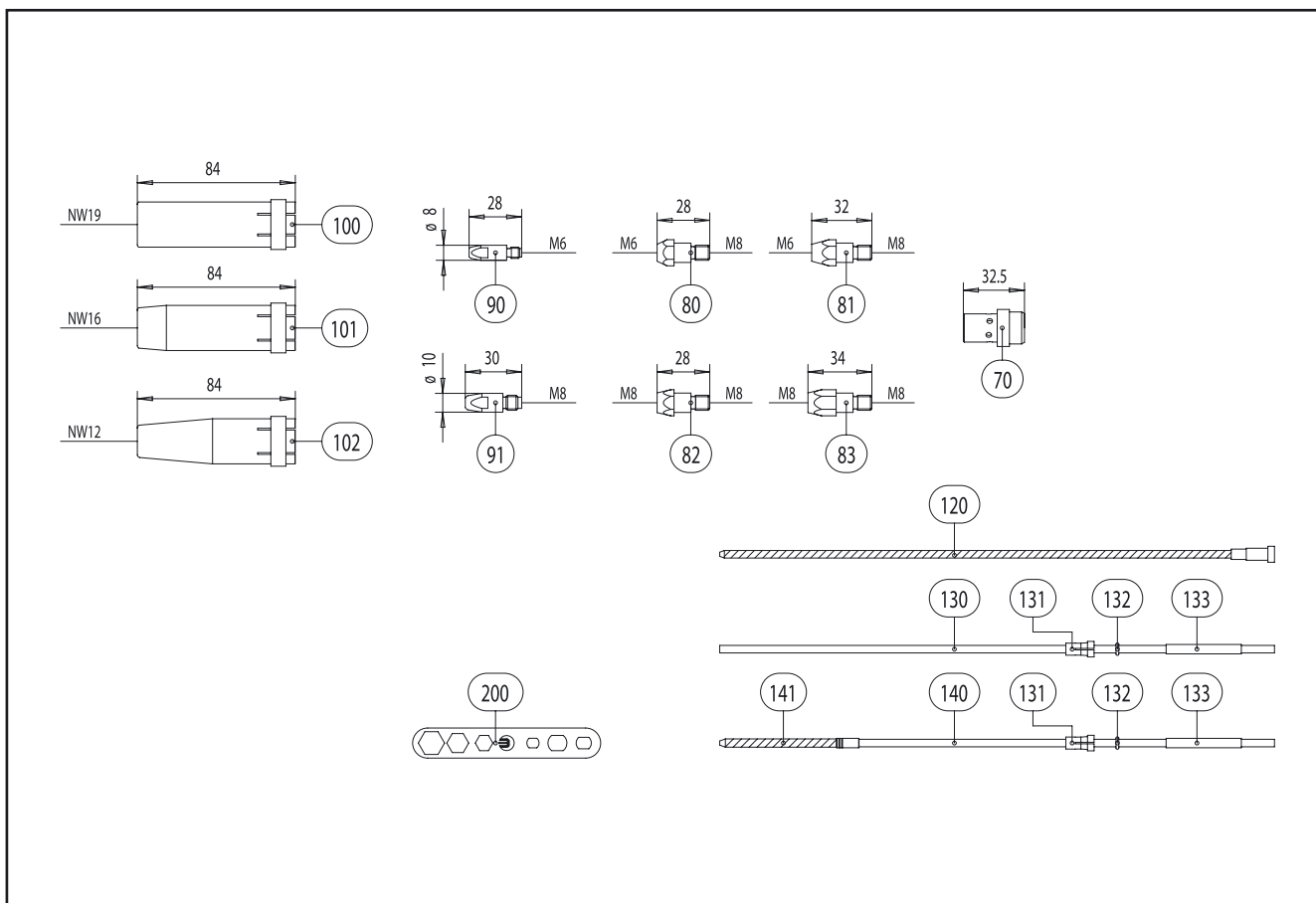
Pos.	Description	Units	Part-No.	Product-group
Torch				
	RAB Plus 36 KD; central adaptor KZ-2; 3.00 m		614.2002	1600
	RAB Plus 36 KD; central adaptor KZ-2; 4.00 m		614.2003	1600
	RAB Plus 36 KD; central adaptor KZ-2; 5.00 m		614.2004	1600
Swan neck				
1	Swan neck RAB Plus 36 KD		614.2001	1014
1.1	Outer neck		600.2002	1095
Fume shroud				
2	Fume shroud		600.2006	1602
2.1	Fume shroud (funnel)		612.0023	1602
3	Spring clip		600.2028	1095
Handle				
10	Fume extraction handle cpl.		180.0110	1095
w/o. fig.	Handle halves cpl. with slide		600.2015	1095
w/o. fig.	Trigger		600.0078	1095
w/o. fig.	Pressure spring	10 Pcs.	600.0079	1095
w/o. fig.	Micro switch		185.0027	9010
w/o. fig.	Hexagon nut M4	20 Pcs.	009.0172	9010
w/o. fig.	Pan head screw	20 Pcs.	000.0647	9010
w/o. fig.	Slide		600.2016	1095
12	Srew 3.5x9.5	20 Pcs.	079.0034	9010
Cable assembly				
40	Bikox® power cable 2-pole RAB Plus, B7 for 3.00 m		660.0014	1011
40	Bikox® power cable 2-pole RAB Plus, B7 for 4.00 m		660.0015	1011
40	Bikox® power cable 2-pole RAB Plus, B7 for 5.00 m		660.0016	1011
40.1	Hexagon nut M10x1	10 Pcs.	001.0009	9010
44	Trigger wire connector	20 Pcs.	175.0022	9010
46	Plug	20 Pcs.	175.0004	9010

MIG/MAG Fume Extraction Torch RAB Plus 36 KD



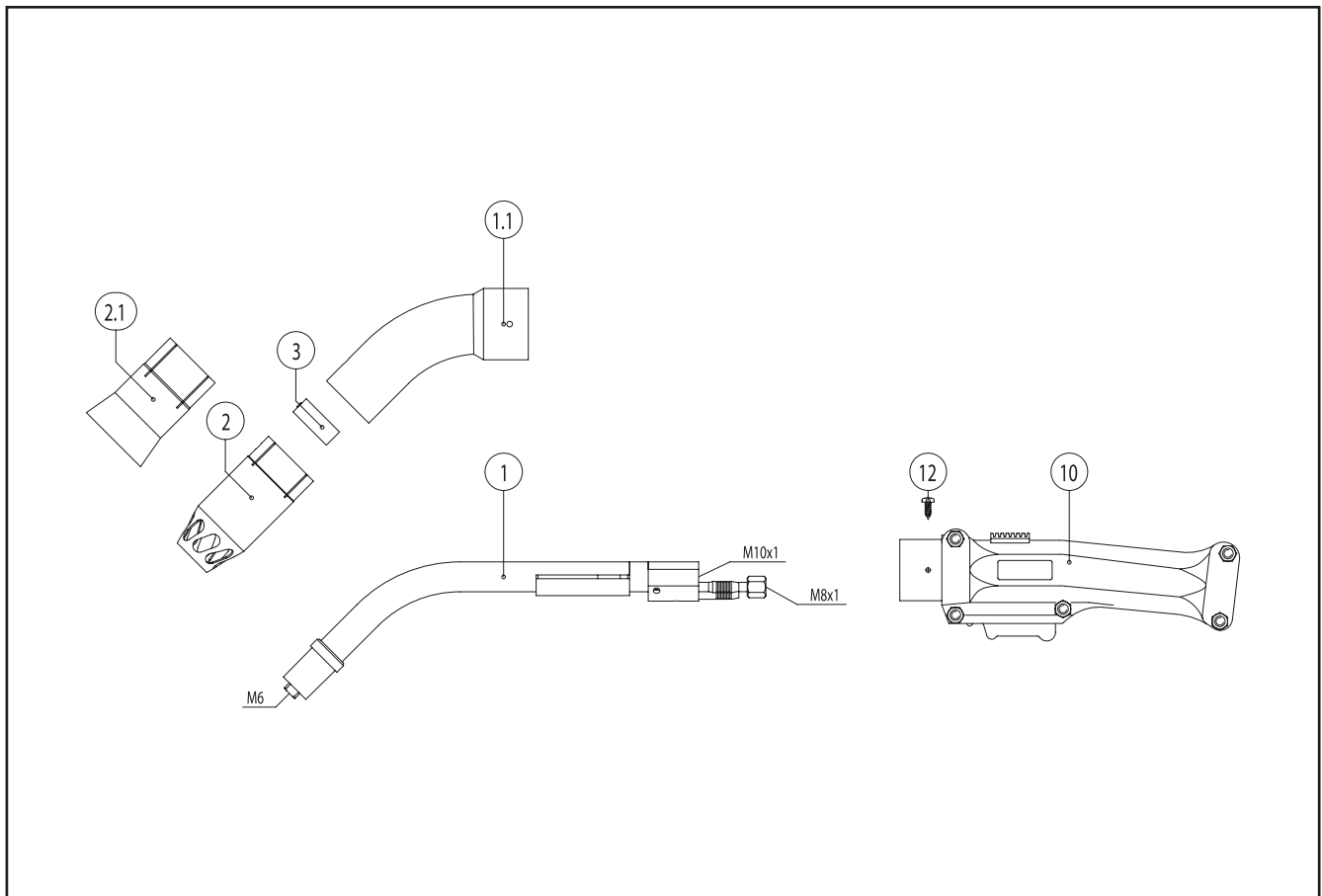
Pos.	Description	Units	Part-No.	Product-group
53	Hose 32 black LW 28 R	30 m	109.0042	4050
54	Connector		602.0080	1095
55	Hose connector cpl. for LW 28		602.0082	1095
56	Cable support machine side		501.2278	9010
57	Pan head screw M4x6	20 Pcs.	000.0552	9010
57.1	Screw cap 2	20 Pcs.	500.0362	9010
58	Adaptor nut M33x2		500.0213	9010
59	Central adaptor KZ-2		501.0003	1095
60	Coupling nut M10x1	10 Pcs.	501.0082	9010
61	O-Ring 4x1	20 Pcs.	165.0002	9010
62	Trigger wire connector; female	20 Pcs.	175.0003	9010
Wear parts				
70	Gas diffuser, white	10 Pcs.	014.0261	1032
70	Gas diffuser, long life	10 Pcs.	014.0026	1032
70	Gas diffuser, ceramic	10 Pcs.	014.0023	1032
80	Contact tip holder M6; 26.0 mm (short)	10 Pcs.	142.0005	1033
81	Contact tip holder M6; 32.0 mm (long)	10 Pcs.	142.0011	1033
82	Contact tip holder M8; 28.0 mm (short)	10 Pcs.	142.0020	1033
83	Contact tip holder M8; 34.0 mm (long)	10 Pcs.	142.0024	1033
90	Contact tip M6 E-Cu; Ø 0.8 (8x28)	10 Pcs.	140.0051	1030
90	Contact tip M6 E-Cu; Ø 1.0 (8x28)	10 Pcs.	140.0242	1030
90	Contact tip M6 E-Cu; Ø 1.2 (8x28)	10 Pcs.	140.0379	1030
90	Contact tip M6 CuCrZr; Ø 0.8 (8x28)	10 Pcs.	140.0054	1031
90	Contact tip M6 CuCrZr; Ø 1.0 (8x28)	10 Pcs.	140.0245	1031
90	Contact tip M6 CuCrZr; Ø 1.2 (8x28)	10 Pcs.	140.0382	1031
90	Contact tip M6 E-Cu; Ø 0.8 for alu wire (8x28)	10 Pcs.	141.0001	1030
90	Contact tip M6 E-Cu; Ø 1.0 for alu wire (8x28)	10 Pcs.	141.0006	1030
90	Contact tip M6 E-Cu; Ø 1.2 for alu wire (8x28)	10 Pcs.	141.0010	1030

MIG/MAG Fume Extraction Torch RAB Plus 36 KD



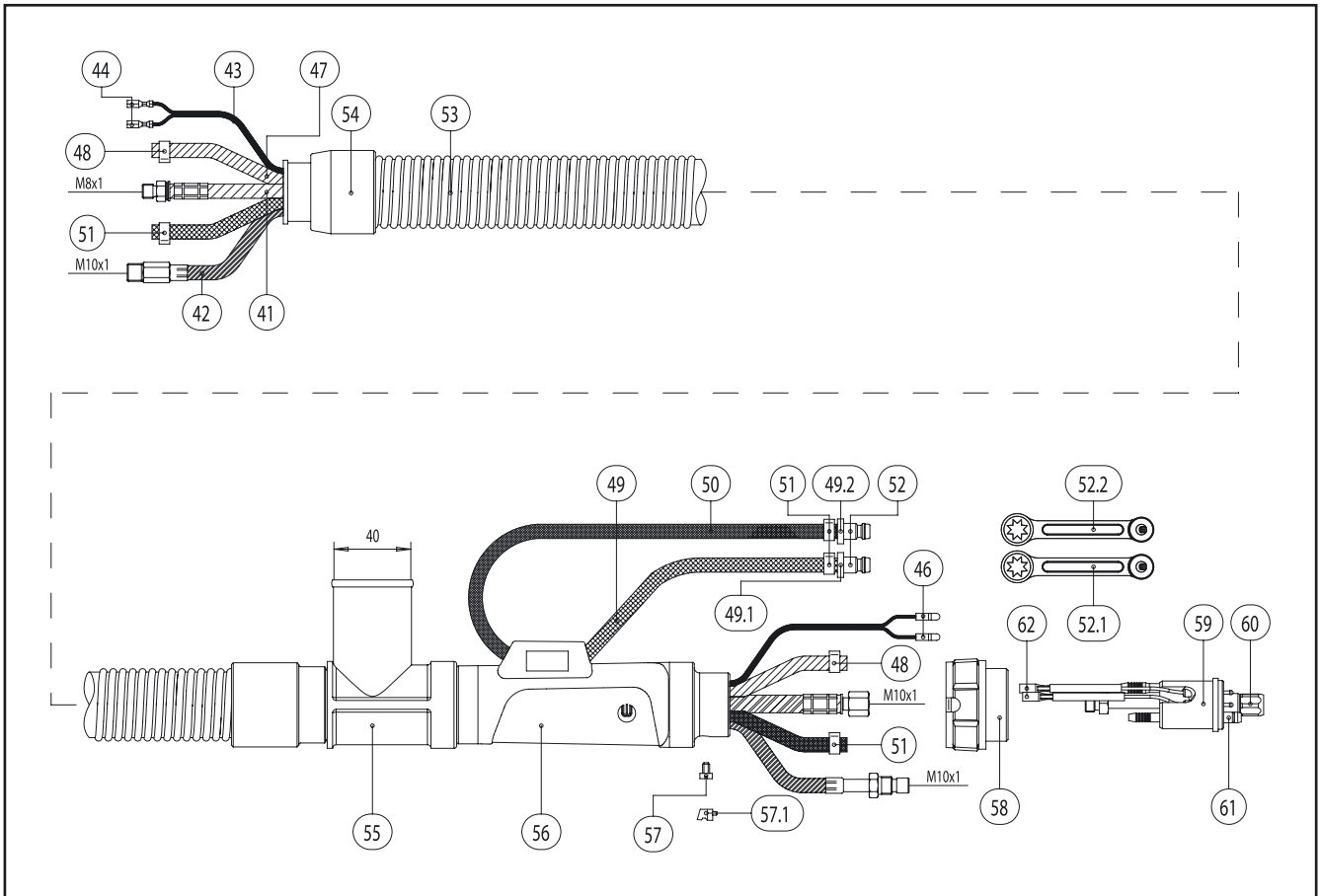
Pos.	Description	Units	Part-No.	Product-group
90	Contact tip M6 CuCrZr silver-plated; Ø 0.8 (8x28)	10 Pcs.	147.0054	1031
90	Contact tip M6 CuCrZr silver-plated; Ø 1.0 (8x28)	10 Pcs.	147.0245	1031
90	Contact tip M6 CuCrZr silver-plated; Ø 1.2 (8x28)	10 Pcs.	147.0382	1031
91	Contact tip M8 E-Cu; Ø 0.8 (10x30)	10 Pcs.	140.0114	1030
91	Contact tip M8 E-Cu; Ø 1.0 (10x30)	10 Pcs.	140.0313	1030
91	Contact tip M8 E-Cu; Ø 1.2 (10x30)	10 Pcs.	140.0442	1030
91	Contact tip M8 CuCrZr; Ø 0.8 (10x30)	10 Pcs.	140.0117	1031
91	Contact tip M8 CuCrZr; Ø 1.0 (10x30)	10 Pcs.	140.0316	1031
91	Contact tip M8 CuCrZr; Ø 1.2 (10x30)	10 Pcs.	140.0445	1031
91	Contact tip M8 E-Cu; Ø 0.8 for alu wire (10x30)	10 Pcs.	141.0003	1030
91	Contact tip M8 E-Cu; Ø 1.0 for alu wire (10x30)	10 Pcs.	141.0008	1030
91	Contact tip M8 E-Cu; Ø 1.2 for alu wire (10x30)	10 Pcs.	141.0015	1030
91	Contact tip M8 CuCrZr silver-plated; Ø 0.8 (10x30)	10 Pcs.	147.0117	1031
91	Contact tip M8 CuCrZr silver-plated; Ø 1.0 (10x30)	10 Pcs.	147.0316	1031
91	Contact tip M8 CuCrZr silver-plated; Ø 1.2 (10x30)	10 Pcs.	147.0445	1031
100	Gas nozzle, cylindrical; ND Ø 19.0	10 Pcs.	145.0045	1037
101	Gas nozzle, conical; ND Ø 16.0	10 Pcs.	145.0078	1037
102	Gas nozzle, tapered; ND Ø 12.0	10 Pcs.	145.0126	1037
120	Guide spiral liner insulated; 1.5/4.5; blue; for wire Ø 0.6 - 0.8; for 3.00 m		124.0011	1034
120	Guide spiral liner insulated; 1.5/4.5; blue; for wire Ø 0.6 - 0.8; for 4.00 m		124.0012	1034
120	Guide spiral liner insulated; 1.5/4.5; blue; for wire Ø 0.6 - 0.8; for 5.00 m		124.0015	1034
120	Guide spiral liner insulated; 2.0/4.5; red; for wire Ø 1.0 - 1.2; for 3.00 m		124.0026	1034
120	Guide spiral liner insulated; 2.0/4.5; red; for wire Ø 1.0 - 1.2; for 4.00 m		124.0031	1034
120	Guide spiral liner insulated; 2.0/4.5; red; for wire Ø 1.0 - 1.2; for 5.00 m		124.0035	1034
130	PTFE core liner 1.5/4.0; blue; wire electrode Ø 0.8 - 1.0; for 3.00 m		126.0005	1034
130	PTFE core liner 1.5/4.0; blue; wire electrode Ø 0.8 - 1.0; for 4.00 m		126.0008	1034
130	PTFE core liner 1.5/4.0; blue; wire electrode Ø 0.8 - 1.0; for 5.00 m		126.0011	1034
130	PTFE core liner 2.0/4.0; red; wire electrode Ø 1.0 - 1.2; for 3.00 m		126.0021	1034

MIG/MAG Fume Extraction Torch RAB Plus 240 D



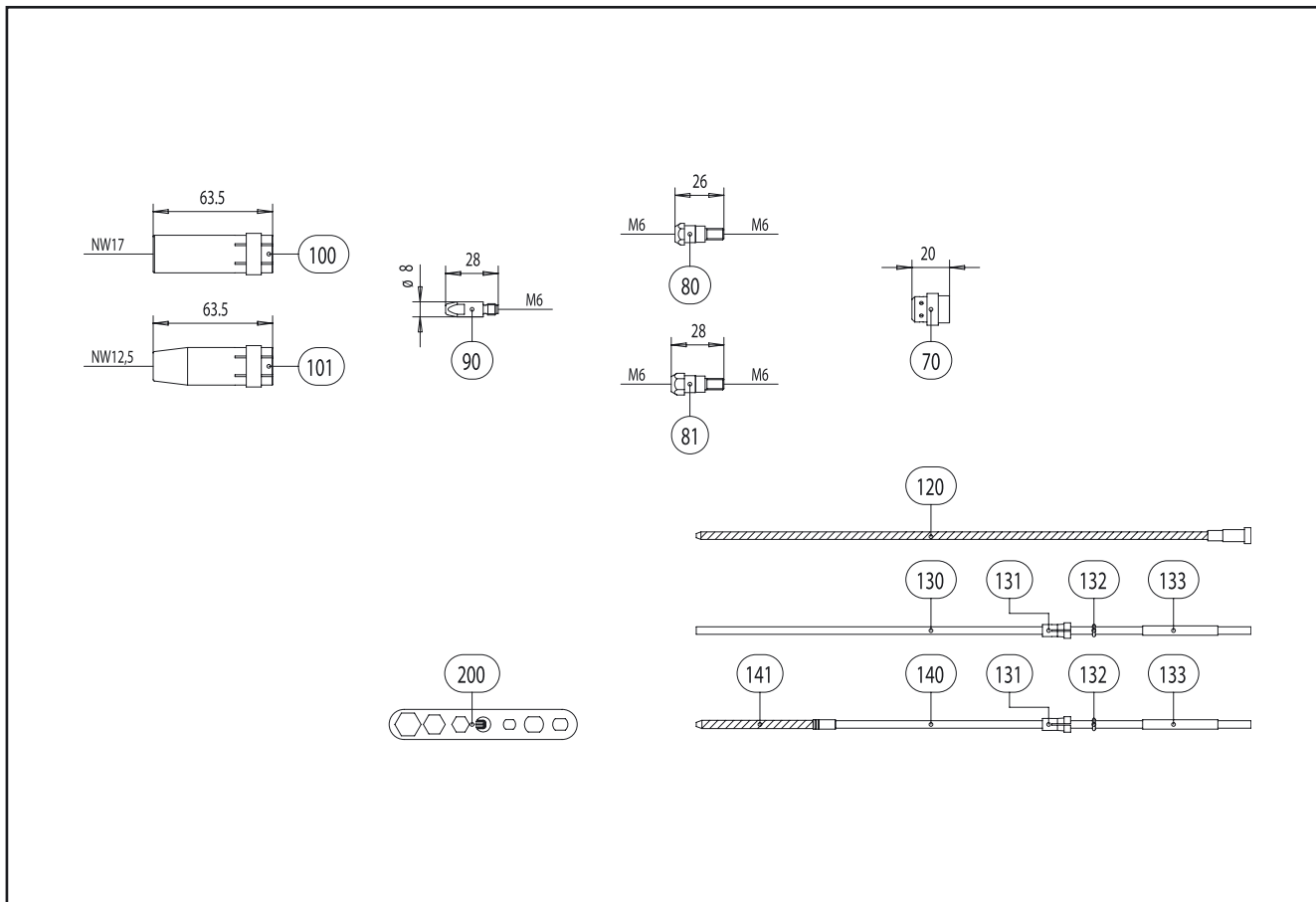
Pos.	Description	Units	Part-No.	Product-group
	Torch			
	RAB Plus 240 D; central adaptor WZ-2; 3.00 m		623.2002	1600
	RAB Plus 240 D; central adaptor WZ-2; 4.00 m		623.2003	1600
	RAB Plus 240 D; central adaptor WZ-2; 5.00		623.2004	1600
	Swan neck			
1	Swan neck RAB Plus 240 D		623.2001	1009
1.1	Outer neck		600.2002	1095
	Fume shroud			
2	Fume shroud for gas nozzle Ø 20.0		600.2005	1602
2.1	Fume shroud (funnel)		612.0023	1602
3	Spring clip		600.2028	1095
	Handle			
10	Fume extraction handle cpl.		180.0110	1095
w/o. fig.	Handle halves cpl. with slide		600.2015	1095
w/o. fig.	Trigger		600.0078	1095
w/o. fig.	Pressure spring	10 Pcs.	600.0079	1095
w/o. fig.	Micro switch		185.0027	9010
w/o. fig.	Hexagon nut M4	20 Pcs.	009.0172	9010
w/o. fig.	Pan head screw	20 Pcs.	000.0647	9010
w/o. fig.	Slide		600.2016	1095
12	Srew 3.5x9.5	20 Pcs.	079.0034	9010
	Cable assembly			
41	Power cable ABIMIG® GRIP / RAB Plus (PVC) for 3.00 m		115.0581	1012
41	Power cable ABIMIG® GRIP / RAB Plus (PVC) for 4.00 m		115.0582	1012
41	Power cable ABIMIG® GRIP / RAB Plus (PVC) for 5.00 m		115.0583	1012
42	Wire conduit RAB Plus cpl. for 5.00 m		154.0002	1012
42	Wire conduit RAB Plus cpl. for 3.00 m		154.0003	1012
42	Wire conduit RAB Plus cpl. for 4.00 m		154.0004	1012

MIG/MAG Fume Extraction Torch RAB Plus 240 D



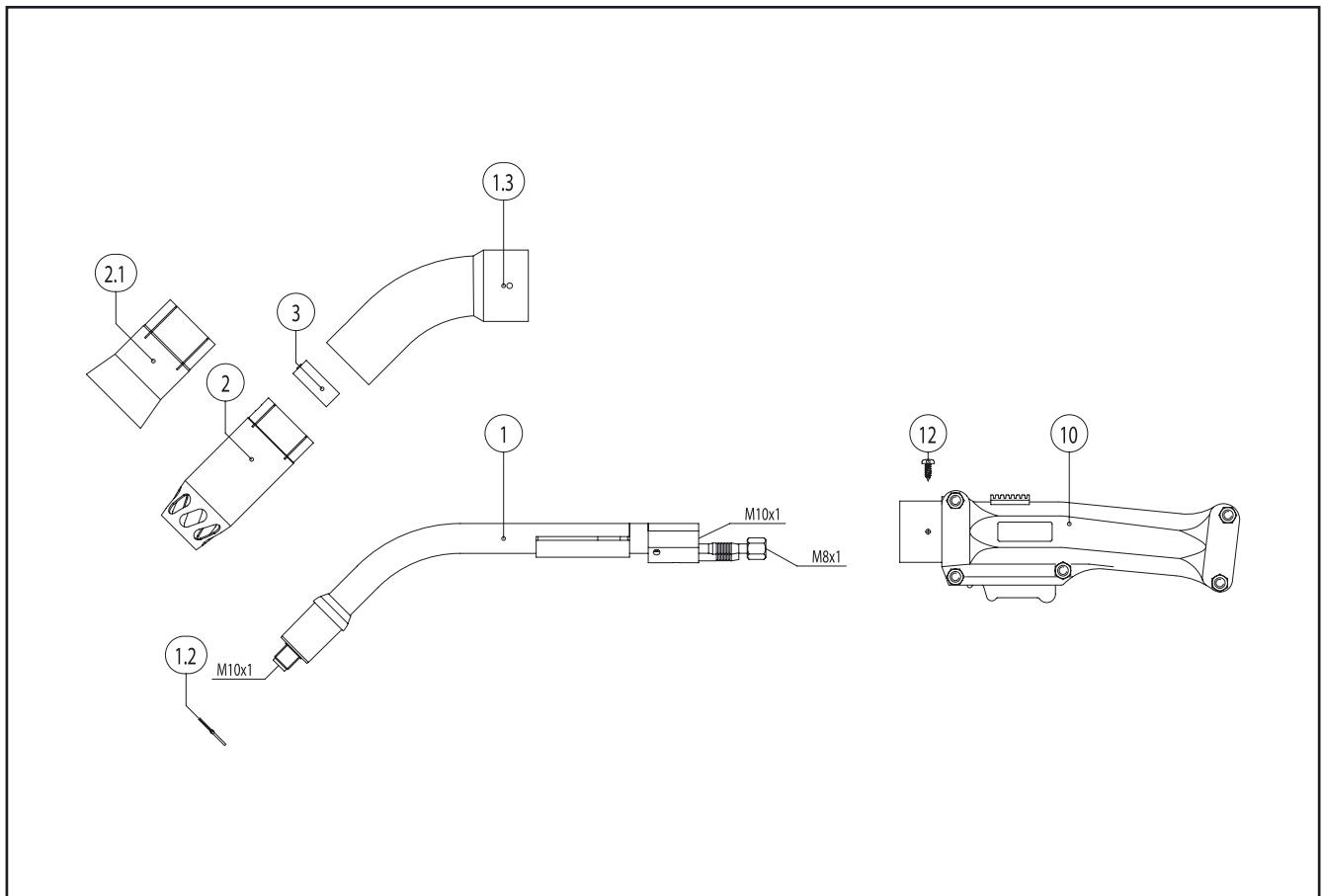
Pos.	Description	Units	Part-No.	Product-group
43	Control cable 2-pole	200 m	100.0019	4050
44	Trigger wire connector	20 Pcs.	175.0022	9010
46	Plug	20 Pcs.	175.0004	9010
47	Hose 30 black Ø 4.9x1.5	100 m	109.0040	4050
48	Hose clamp Ø 8.7 mm	20 Pcs.	171.0002	9010
49	Hose 47 blue Ø 5.5x1.5	100 m	109.0057	4050
49.1	Code colour ring blue	20 Pcs.	501.2167	9010
49.2	Code colour ring red	20 Pcs.	501.2166	9010
50	Hose 46 red Ø 5.5x1.5 cpl. with plug nipple ND 5; 0.6 m		103.0114	1095
w/o. fig.	Hose 46 red Ø 5.5x1.5	100 m	109.0056	4050
51	Hose clamp Ø 9.0 mm with ring (mark 9.5)	20 Pcs.	173.0001	9010
52	Plug nipple ND 5 mm / Ø 6.0 mm	20 Pcs.	501.0114	9010
52.1	Fastener cap red		501.2423	1095
52.2	Fastener cap blue		501.2424	1095
53	Hose 33 black LW 32 R	30 m	109.0043	4050
54	Connector		600.2008	1095
55	Hose connector cpl. for LW 32		600.2007	1095
56	Cable support machine side big cpl. ND 31		500.0342	9010
57	Pan head screw M4x6	20 Pcs.	000.0552	9010
57.1	Screw cap 2	20 Pcs.	500.0362	9010
58	Adaptor nut M33x2		500.0213	9010
59	Central adaptor WZ-2		501.0015	9010
60	Coupling nut M10x1	10 Pcs.	501.0082	9010
61	O-Ring 4x1	20 Pcs.	165.0002	9010
62	Trigger wire connector; female	20 Pcs.	175.0003	9010
Wear parts				
70	Gas diffuser, white	10 Pcs.	012.0183	1032
70	Gas diffuser, silicone rubber	10 Pcs.	012.0243	1032

MIG/MAG Fume Extraction Torch RAB Plus 240 D



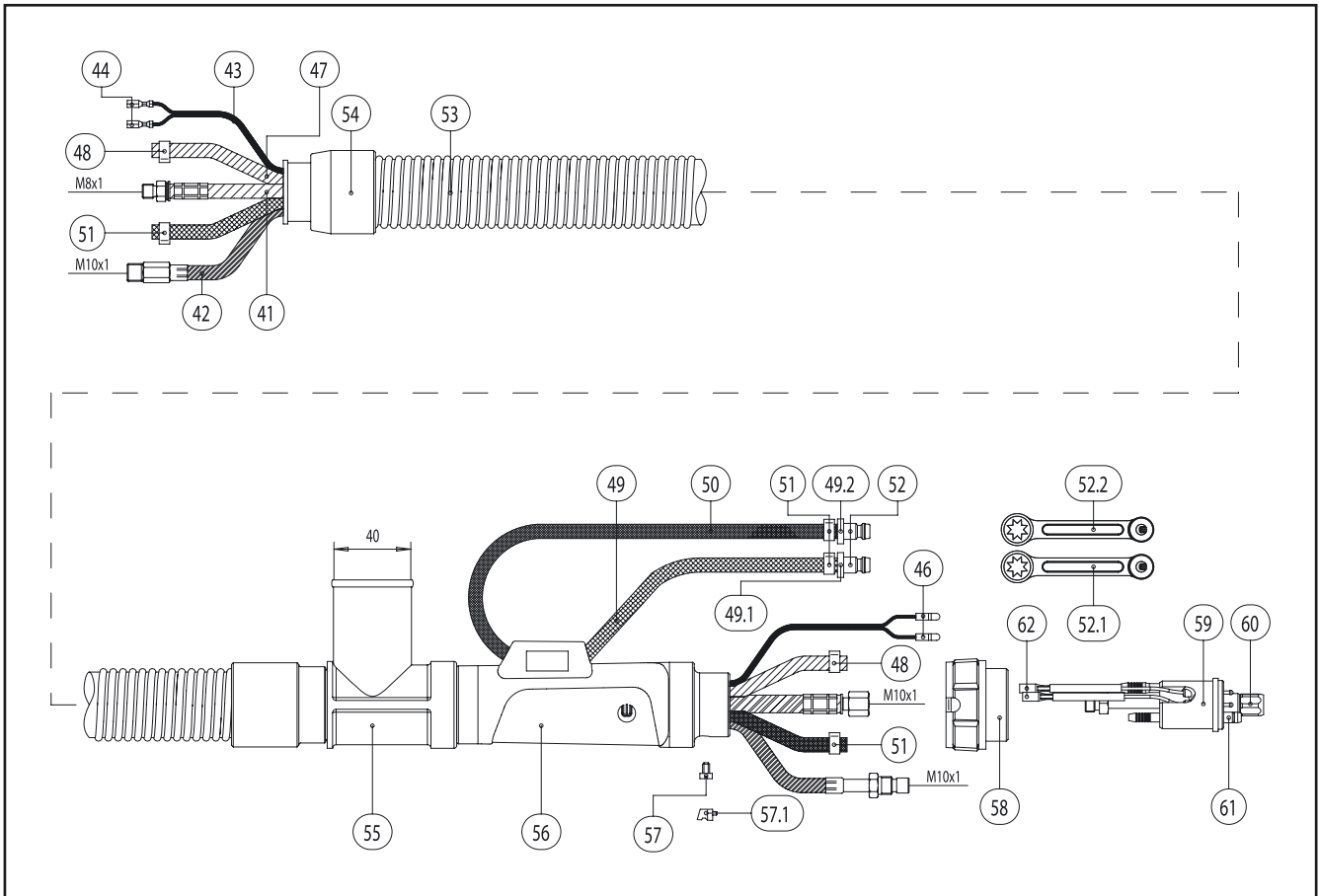
Pos.	Description	Units	Part-No.	Product-group
80	Contact tip holder M6; 26.0 mm	10 Pcs.	142.0003	1033
81	Contact tip holder M6; 28.0 mm	10 Pcs.	142.0010	1033
90	Contact tip M6 E-Cu; Ø 0.8 (8x28)	10 Pcs.	140.0051	1030
90	Contact tip M6 E-Cu; Ø 1.0 (8x28)	10 Pcs.	140.0242	1030
90	Contact tip M6 E-Cu; Ø 1.2 (8x28)	10 Pcs.	140.0379	1030
90	Contact tip M6 CuCrZr; Ø 0.8 (8x28)	10 Pcs.	140.0054	1031
90	Contact tip M6 CuCrZr; Ø 1.0 (8x28)	10 Pcs.	140.0245	1031
90	Contact tip M6 CuCrZr; Ø 1.2 (8x28)	10 Pcs.	140.0382	1031
90	Contact tip M6 E-Cu; Ø 0.8 for alu wire (8x28)	10 Pcs.	141.0001	1030
90	Contact tip M6 E-Cu; Ø 1.0 for alu wire (8x28)	10 Pcs.	141.0006	1030
90	Contact tip M6 E-Cu; Ø 1.2 for alu wire (8x28)	10 Pcs.	141.0010	1030
90	Contact tip M6 CuCrZr silver-plated; Ø 0.8 (8x28)	10 Pcs.	147.0054	1031
90	Contact tip M6 CuCrZr silver-plated; Ø 1.0 (8x28)	10 Pcs.	147.0245	1031
90	Contact tip M6 CuCrZr silver-plated; Ø 1.2 (8x28)	10 Pcs.	147.0382	1031
100	Gas nozzle, cylindrical; ND Ø 17.0	10 Pcs.	145.0047	1036
101	Gas nozzle, conical; ND Ø 12.5	10 Pcs.	145.0080	1036
120	Guide spiral liner blank; 1.5/4.0; for wire Ø 0.8; for 3.00 m		122.0005	1034
120	Guide spiral liner blank; 1.5/4.0; for wire Ø 0.8; for 4.00 m		122.0007	1034
120	Guide spiral liner blank; 1.5/4.0; for wire Ø 0.8; for 5.00 m		122.0009	1034
120	Guide spiral liner blank; 2.0/4.5; for wire Ø 1.0 - 1.2; for 3.00 m		122.0031	1034
120	Guide spiral liner blank; 2.0/4.5; for wire Ø 1.0 - 1.2; for 4.00 m		122.0036	1034
120	Guide spiral liner blank; 2.0/4.5; for wire Ø 1.0 - 1.2; for 5.00 m		122.0039	1034
130	PTFE core liner 1.5/4.0; blue; wire electrode Ø 0.8 - 1.0; for 3.00 m		126.0005	1034
130	PTFE core liner 1.5/4.0; blue; wire electrode Ø 0.8 - 1.0; for 4.00 m		126.0008	1034
130	PTFE core liner 1.5/4.0; blue; wire electrode Ø 0.8 - 1.0; for 5.00 m		126.0011	1034
130	PTFE core liner 2.0/4.0; red; wire electrode Ø 1.0 - 1.2; for 3.00 m		126.0021	1034
130	PTFE core liner 2.0/4.0; red; wire electrode Ø 1.0 - 1.2; for 4.00 m		126.0026	1034
130	PTFE core liner 2.0/4.0; red; wire electrode Ø 1.0 - 1.2; for 5.00 m		126.0028	1034

MIG/MAG Fume Extraction Torch RAB Plus 501 / 501 D



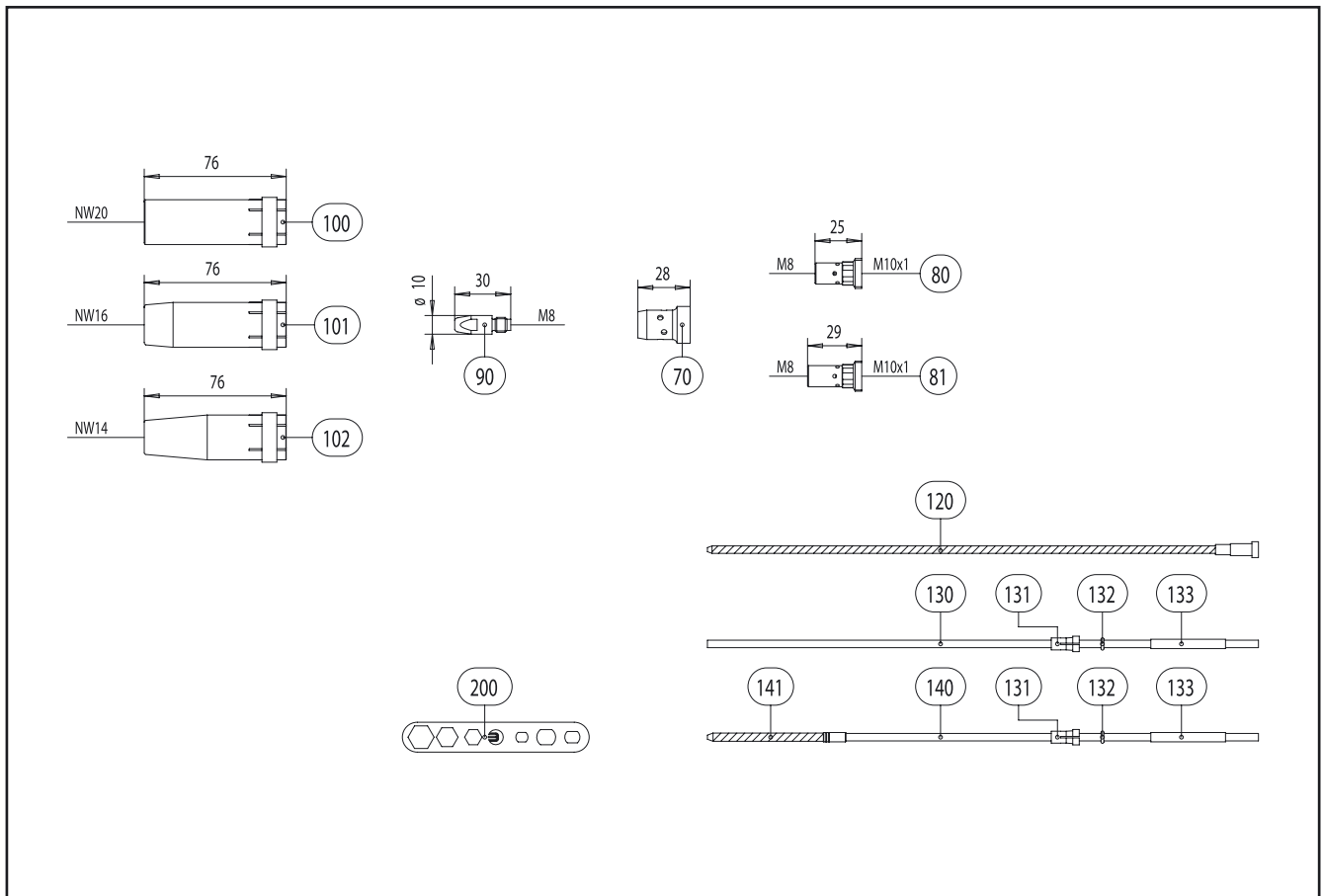
Pos.	Description	Units	Part-No.	Product-group
	Torch (D-Version)			
	RAB Plus 501 D; central adaptor WZ-2; 3.00 m		634.2002	1600
	RAB Plus 501 D; central adaptor WZ-2; 4.00 m		634.2003	1600
	RAB Plus 501 D; central adaptor WZ-2; 5.00 m		634.2004	1600
	Torch			
	RAB Plus 501; central adaptor WZ-2; 3.00 m		632.2010	1600
	RAB Plus 501; central adaptor WZ-2; 4.00 m		632.2011	1600
	RAB Plus 501; central adaptor WZ-2; 5.00 m		632.2012	1600
	Swan neck (D-Version)			
1	Swan neck RAB Plus 501D		634.2001	1009
1.2	Insulator	20 Pcs.	030.0019	1095
1.3	Outer neck		600.2002	1095
	Swan neck			
w/o. fig.	Swan neck RAB Plus 501		632.2001	1009
w/o. fig.	Insulator	20 Pcs.	030.0019	1095
w/o. fig.	Outer neck RAB 501		632.2009	1095
	Fume shroud			
2	Fume shroud		600.2006	1602
2.1	Fume shroud (funnel)		612.0023	1602
3	Spring clip		600.2028	1095
	Handle			
10	Fume extraction handle cpl.		180.0110	1095
w/o. fig.	Handle halves cpl. with slide		600.2015	1095
w/o. fig.	Trigger		600.0078	1095
w/o. fig.	Pressure spring	10 Pcs.	600.0079	1095
w/o. fig.	Micro switch		185.0027	9010
w/o. fig.	Hexagon nut M4	20 Pcs.	009.0172	9010
w/o. fig.	Pan head screw	20 Pcs.	000.0647	9010

MIG/MAG Fume Extraction Torch RAB Plus 501 / 501 D



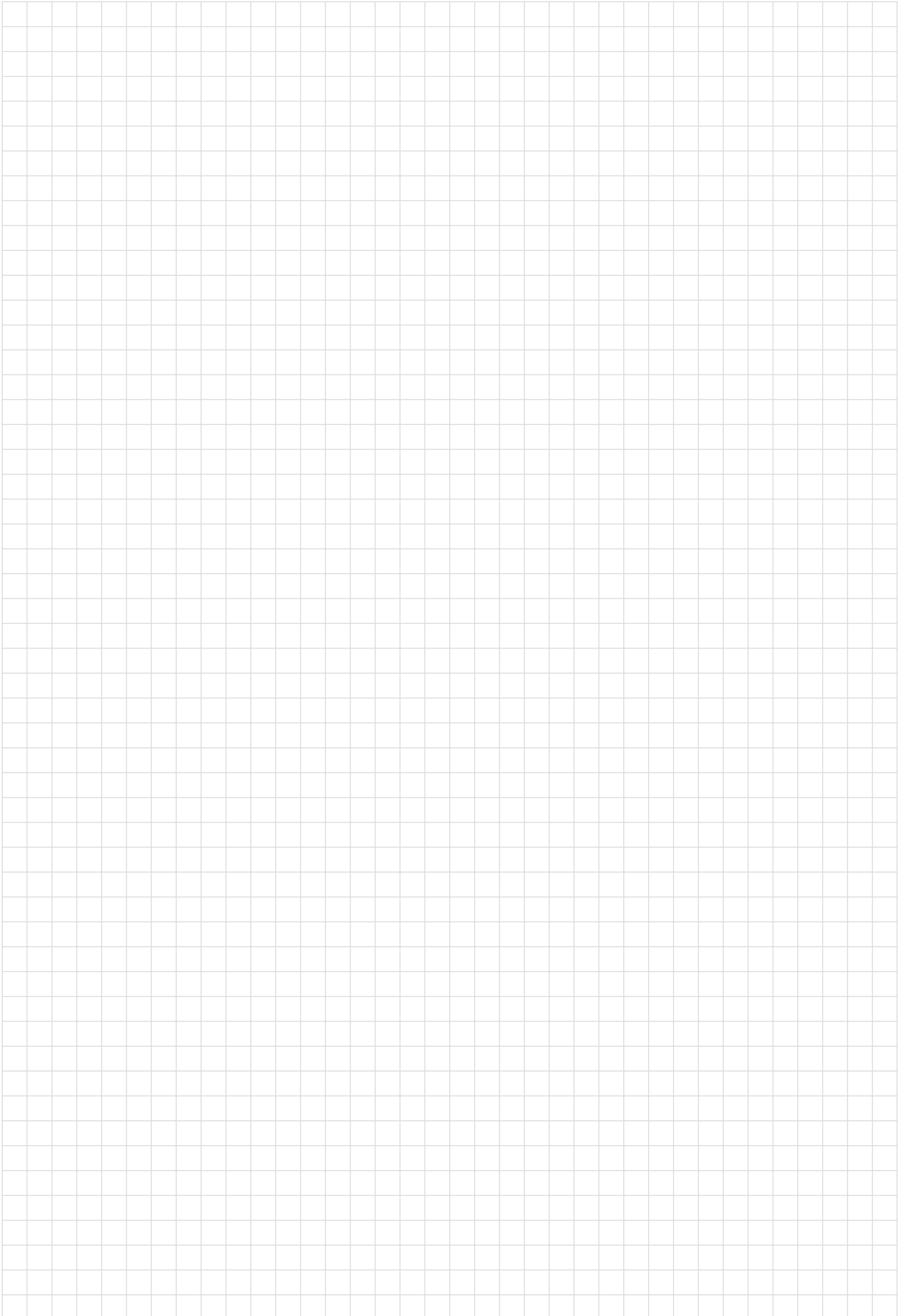
Pos.	Description	Units	Part-No.	Product-group
w/o. fig.	Slide		600.2016	1095
12	Srew 3.5x9.5	20 Pcs.	079.0034	9010
	Cable assembly			
41	Power cable ABIMIG® GRIP / RAB Plus (PVC) for 3.00 m		115.0581	1012
41	Power cable ABIMIG® GRIP / RAB Plus (PVC) for 4.00 m		115.0582	1012
41	Power cable ABIMIG® GRIP / RAB Plus (PVC) for 5.00 m		115.0583	1012
42	Wire conduit RAB Plus cpl. for 5.00 m		154.0002	1012
42	Wire conduit RAB Plus cpl. for 3.00 m		154.0003	1012
42	Wire conduit RAB Plus cpl. for 4.00 m		154.0004	1012
43	Control cable 2-pole	200 m	100.0019	4050
44	Trigger wire connector	20 Pcs.	175.0022	9010
46	Plug	20 Pcs.	175.0004	9010
47	Hose 30 black Ø 4.9x1.5	100 m	109.0040	4050
48	Hose clamp Ø 8.7 mm	20 Pcs.	171.0002	9010
49	Hose 47 blue Ø 5.5x1.5	100 m	109.0057	4050
49.1	Code colour ring blue	20 Pcs.	501.2167	9010
49.2	Code colour ring red	20 Pcs.	501.2166	9010
50	Hose 46 red Ø 5.5x1.5 cpl. with plug nipple ND 5; 0.6 m		103.0114	1095
w/o. fig.	Hose 46 red Ø 5.5x1.5	100 m	109.0056	4050
51	Hose clamp Ø 9.0 mm with ring (mark 9.5)	20 Pcs.	173.0001	9010
52	Plug nipple ND 5 mm / Ø 6.0 mm	20 Pcs.	501.0114	9010
52.1	Fastener cap red		501.2423	1095
52.2	Fastener cap blue		501.2424	1095
53	Hose 33 black LW 32 R	30 m	109.0043	4050
54	Connector		600.2008	1095
55	Hose connector cpl. for LW 32		600.2007	1095
56	Cable support machine side big cpl. ND 31		500.0342	9010
57	Pan head screw M4x6	20 Pcs.	000.0552	9010

MIG/MAG Fume Extraction Torch RAB Plus 501 / 501 D



Pos.	Description	Units	Part-No.	Product-group
57.1	Screw cap 2	20 Pcs.	500.0362	9010
58	Adaptor nut M33x2		500.0213	9010
59	Central adaptor WZ-2		501.0015	9010
60	Coupling nut M10x1	10 Pcs.	501.0082	9010
61	O-Ring 4x1	20 Pcs.	165.0002	9010
62	Trigger wire connector; female	20 Pcs.	175.0003	9010
	Wear parts RAB Plus 501 / 501 D			
70	Gas diffuser, white	10 Pcs.	030.0145	1032
70	Gas diffuser, long life	10 Pcs.	030.0037	1032
70	Gas diffuser, ceramic	10 Pcs.	030.0190	1032
	Wear parts RAB Plus 501 D			
80	Contact tip holder M8; 25.0 mm (short)	10 Pcs.	142.0022	1033
81	Contact tip holder M8; 29.0 mm (long)	10 Pcs.	142.0027	1033
	Wear parts RAB Plus 501 / 501 D			
90	Contact tip M8 E-Cu; Ø 1.0 (10x30)	10 Pcs.	140.0313	1030
90	Contact tip M8 E-Cu; Ø 1.2 (10x30)	10 Pcs.	140.0442	1030
90	Contact tip M8 E-Cu; Ø 1.6 (10x30)	10 Pcs.	140.0587	1030
90	Contact tip M8 CuCrZr; Ø 1.0 (10x30)	10 Pcs.	140.0316	1031
90	Contact tip M8 CuCrZr; Ø 1.2 (10x30)	10 Pcs.	140.0445	1031
90	Contact tip M8 CuCrZr; Ø 1.6 (10x30)	10 Pcs.	140.0590	1031
90	Contact tip M8 E-Cu; Ø 1.0 for alu wire (10x30)	10 Pcs.	141.0008	1030
90	Contact tip M8 E-Cu; Ø 1.2 for alu wire (10x30)	10 Pcs.	141.0015	1030
90	Contact tip M8 E-Cu; Ø 1.6 for alu wire (10x30)	10 Pcs.	141.0022	1030
90	Contact tip M8 CuCrZr silver-plated; Ø 1.0 (10x30)	10 Pcs.	147.0316	1031
90	Contact tip M8 CuCrZr silver-plated; Ø 1.2 (10x30)	10 Pcs.	147.0445	1031
90	Contact tip M8 CuCrZr silver-plated; Ø 1.6 (10x30)	10 Pcs.	147.0590	1031
100	Gas nozzle; cylindrical; ND Ø 20.0	10 Pcs.	145.0051	1037
101	Gas nozzle; conical; ND Ø 16.0	10 Pcs.	145.0085	1037

Notes





Handles GRIP and Modules

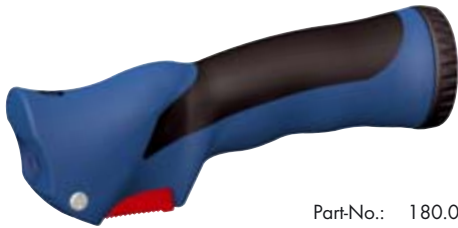
“The intelligent handle-system”

- Only one screw for fixation
- Secure fixation of the brass bushing
- Simple lock ring principle
- One-piece ball joint and cable support
- Trigger exchange without tool
- Simple construction - mounting and repairing-friendly



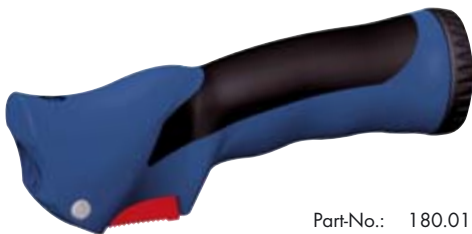
Handles and Modules

1. Handle Type "MB"



Part-No.: 180.0127

2. Handle Type "S"



Part-No.: 180.0132.1

3. Handle Type "TO"



cpl. with switch on top
Part-No.: 180.0134.1

4. Handle Type "SH"



BIS-01L
Control module with potentiometer
left 10 kΩ



BIS-01R
Control module with potentiometer
right 10 kΩ



BIS-02
Control module with potentiometer
10 kΩ LED for Migatronic



BIS-06
Control module with push-button
and 4 LED



BIS-10A
Control module double push-button
switch lengthwise



BIS-10B
Control module double push-button
switch crosswise



BIS-10D
Control module double push-button
switch crosswise for Fronius



BIS-13A
Control module double push-button
2x switch lengthwise for EWM



BIS-18
Control module double push-button
2x switch (185.0059) for Cloos



incl. add-on for control modules
Part-No.: 180.0133.1

5. Adapter



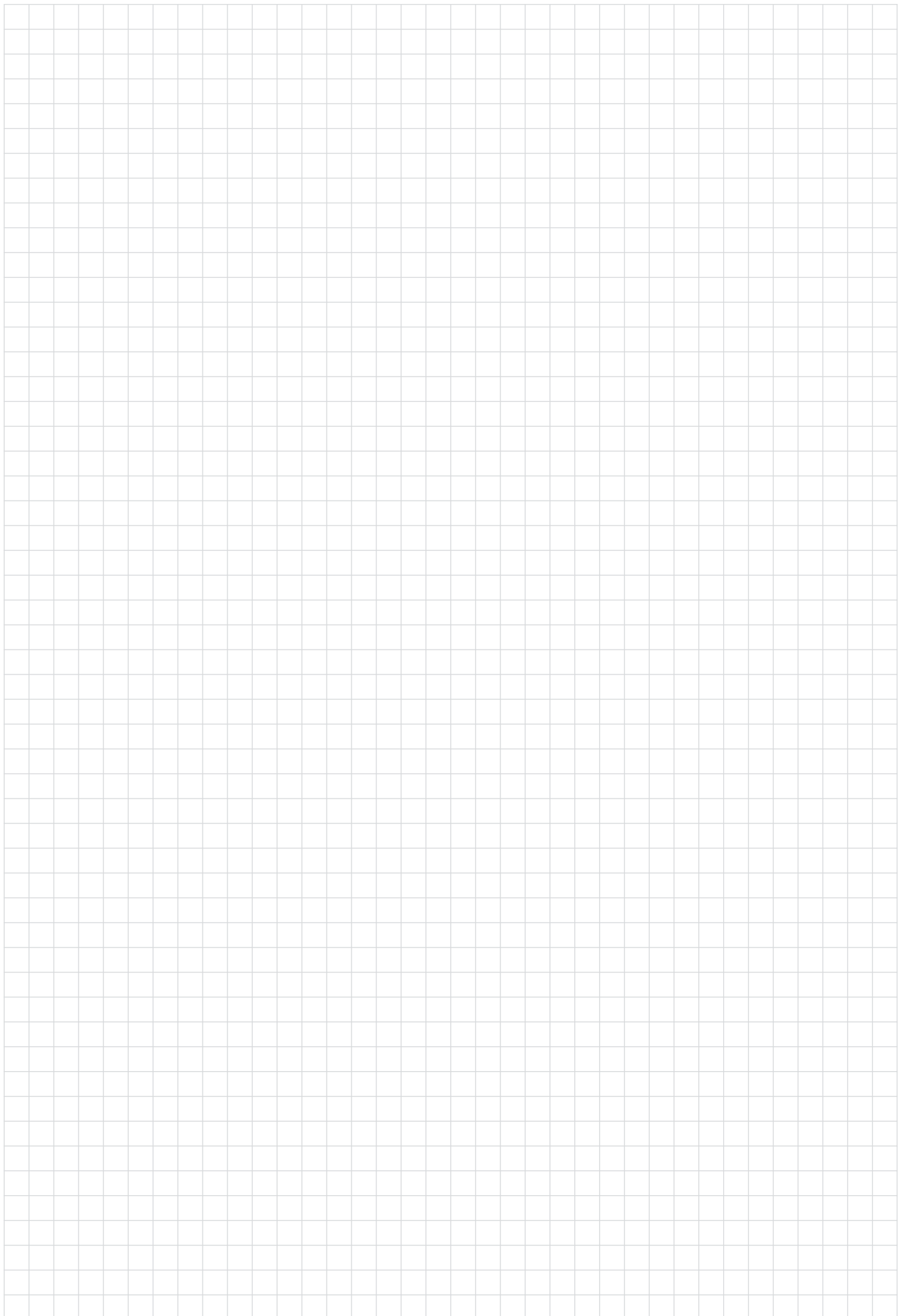
for all torch types MB / MB GRIP / ABIMIG® GRIP 155-355
for using the handles Type S, SH and TO
Part-No.: 400.1341.1

Please note: All trademarks mentioned in this catalogue are property of the respective companies.

Handles and Modules

Pos.	Description	Units	Part-No.	Product-group
Handle type MB				
1	Handle GRIP with trigger cpl.		180.0127	1095
w/o. fig.	Trigger 2-pole GRIP		185.0101	9010
w/o. fig.	Ball joint cable support for MB GRIP (AC)		400.1124	1095
w/o. fig.	Ball joint cable support for ABIMIG® GRIP / MB GRIP (LC)		400.1125	1095
w/o. fig.	Inner ring for ABIMIG® / ABIMIG® GRIP / MB GRIP (LC)		400.0790	1095
w/o. fig.	Ball joint cable support short for ABIMIG® GRIP A		400.1323.1	1595
Handle type S				
2	Handle GRIP type S with trigger cpl.		180.0132.1	1395
w/o. fig.	Trigger 2-pole GRIP	5 Pcs.	185.0107.5	1395
w/o. fig.	Ball joint cable support short for ABIMIG® GRIP A		400.1323.1	1595
w/o. fig.	Ball joint cable support for ABIMIG® GRIP / MB GRIP (LC)		400.1125	1095
w/o. fig.	Inner ring for ABIMIG® / ABIMIG® GRIP / MB GRIP (LC)		400.0790	1095
Handle type TO				
3	Handle GRIP type TO with switch on top cpl.		180.0134.1	1395
Handle type SH				
4	Handle GRIP type SH with trigger cpl. (without module)		180.0133.1	1395
w/o. fig.	Trigger 2-pole GRIP	5 Pcs.	185.0107.5	1395
4.1	Control module BIS-01L with potentiometer left 10 k-Ohm		400.0956	1395
4.2	Control module BIS-01R with potentiometer right 10 k-Ohm		400.0957	1395
4.3	Control module BIS-02 with potentiometer 10 k-Ohm LED for Migatronc		400.0958	1395
4.4	Control module BIS-06 with push-button and 4 LED		400.0959	1395
4.5	Control module BIS-10A with double push-button switch lengthwise		400.0963	1395
4.6	Control module BIS-10B with double push-button switch crosswise		400.0964	1395
4.7	Control module BIS-10D with double push-button switch crosswise for Fronius		400.1085	1395
4.8	Control module BIS-13A with double push-button 2x switch lengthwise for EWM		400.0966	1395
4.9	Control module BIS-18 with double push-button 2x switch (185.0059) for Cloos		400.1012	1395
Adapter				
5	Adapter for handle GRIP type S, SH and TO		400.1341.1	1395

Notes



Central adaptor and central connector system

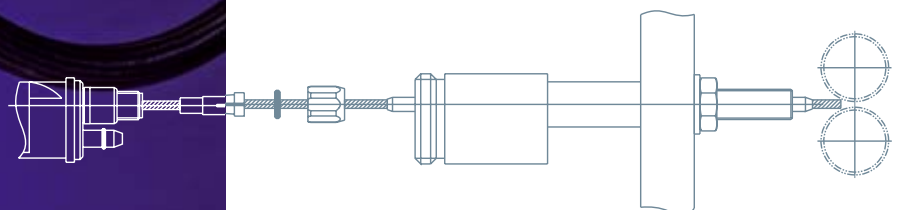
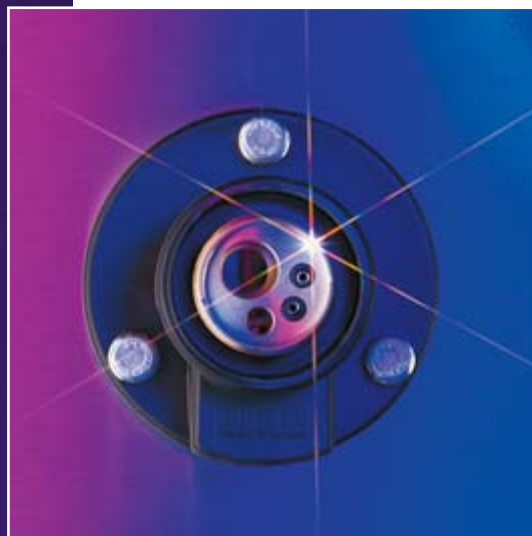
“The universal connection ...”

The original ABICOR BINZEL central adaptor and central connector, for air cooled and liquid cooled MIG/MAG machines, have been the industry standard for more than 30 years.

All machine types are different in construction and all wire feeding systems have their own dimensions. However, there is a common denominator the central adaptor system.

We offer more than 500 different central adaptor types. Please indicate manufacturer and type of your wire feeder or your compact power source and we will supply you with the appropriate adaptor. However, if there should occur an adaptation problem, please contact us and fill in the dimension sketch on page 8.4 – we will take care of it.

This chapter gives only a brief insight into the variety of different insulating flanges, brass bodies, adaptor plugs, capillary tubes, liner supports and quick disconnectors.



Central adaptor and central connector system

a) Insulation flange



e) Capillary- and guid tube



Guide tubes

The guide tubes must be fitted as shown in the assembly instructions (page 8.4).

b) Brass body



f) Quick coupling



c) Adaptor plug



Here you can see a small selection of adaptor plug blanks for individual processing, representing the more than 500 different adaptor plugs available in the ABICOR BINZEL range.

We supply ready-made adapters on request, please specify the make and type of wire feeding device and/or compact plant in your order.

d) Power lug

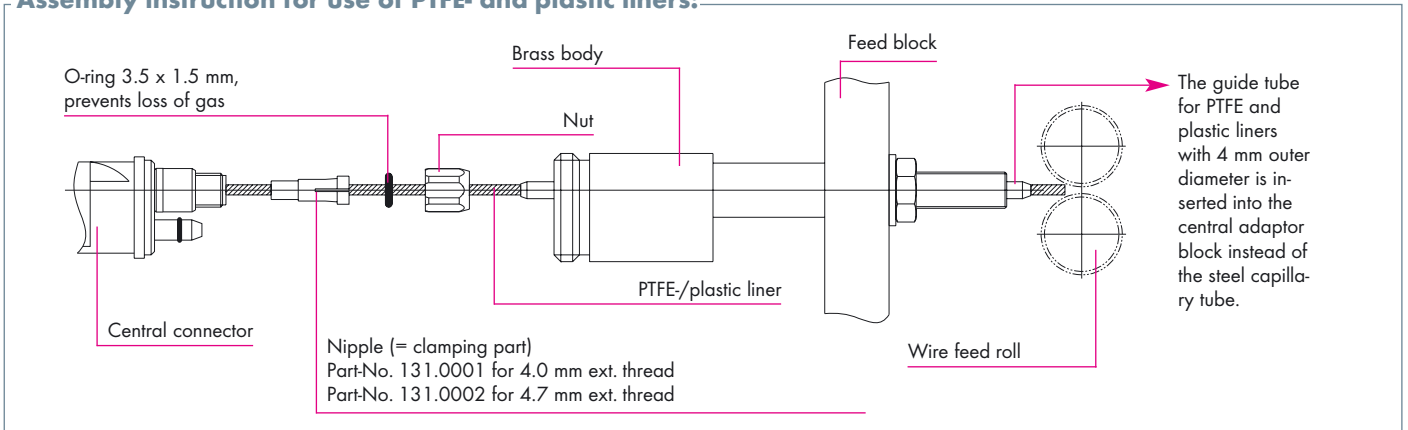


Central adaptor and central connector system

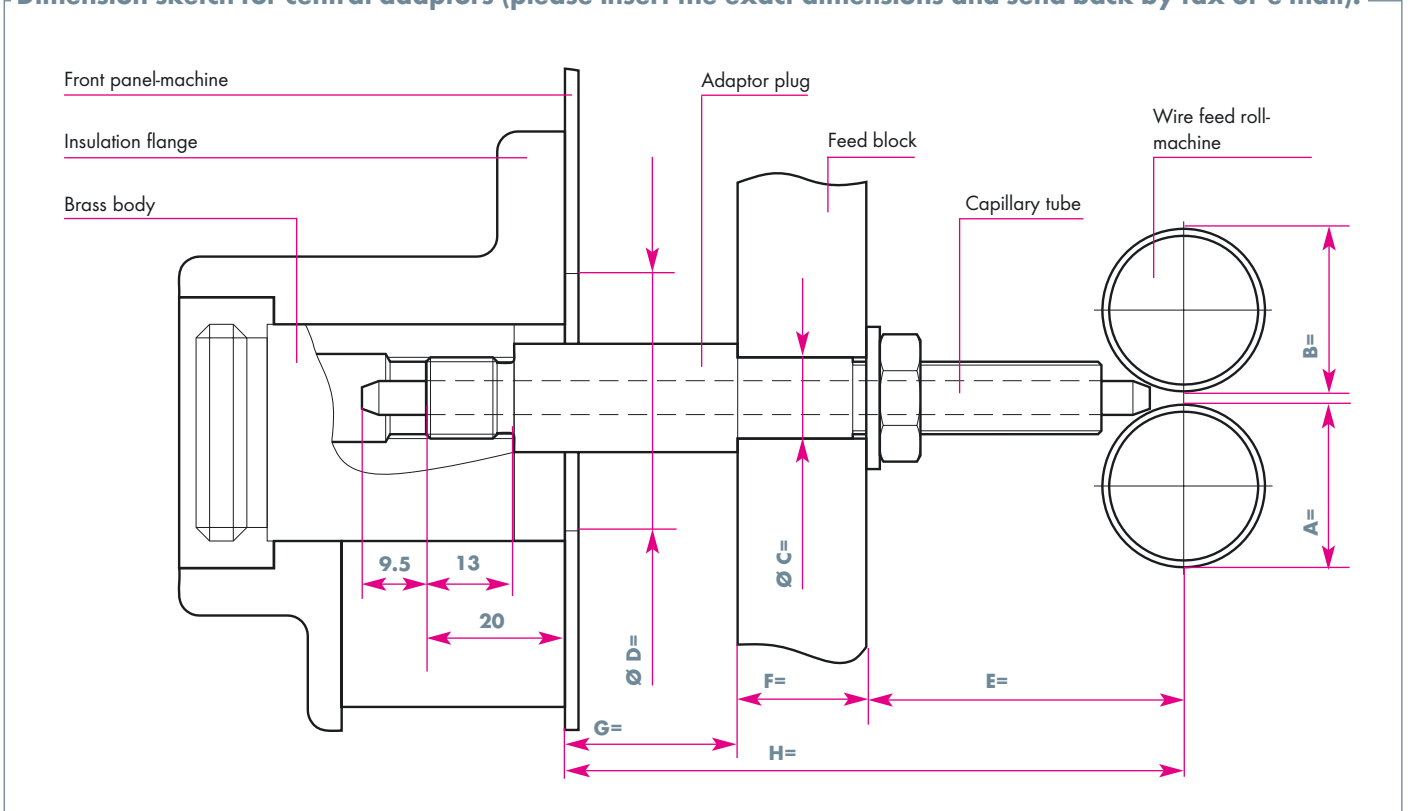
Pos.	Description	Units	Part-No.	Product-group
a)	Insulation flanges			
	Insulating flange Ø 120 mm		501.0602	1095
	Insulating flange 85 mm, triangular		501.2381	1095
	Insulation flange Ø 85 mm		501.0616	1095
	Insulating flange Ø 50 mm		501.0588	1095
	Insulating flange 60 mm, quadrangular		501.2308	1095
b)	Brass bodies			
	Brass body (gas axial)		501.0168	1095
	Brass body (gas radial)		501.0169	1095
	Socket with control leads 600 mm (white)		501.0183	1095
	Socket with control leads 600 mm (brown)		501.2020	1095
c)	Adaptor plugs			
	Blank Ø 16 (100 mm)		501.2191	1095
	Blank Ø 16 (170 mm)		501.2192	1095
	Blank Ø 16 (250 mm)		501.2193	1095
	Blank Ø 22 (200 mm)		501.2190	1095
d)	Power lug			
	Power clamp		501.0280	1095
e)	Capillary tubes			
	Capillary tube for wire Ø 1.0 mm (Ø = 1.5x 5.0 mm / length = 200 mm)		129.0164	1095
	Capillary tube for wire Ø 1.0 mm (Ø = 1.5x 5.0 mm / length = 300 mm)		129.0187	1095
	Capillary tube for wire Ø 1.0 mm (Ø = 1.5x 5.0 mm / length = 500 mm)		129.0189	1095
	Capillary tube for wire Ø 1.0 mm (Ø = 1.5x 5.0 mm / length = 1000 mm)		129.0107	1095
	Capillary tube for wire Ø 1.6 mm (Ø = 2.0x 5.0 mm / length = 200 mm)		129.0313	1095
	Capillary tube for wire Ø 1.6 mm (Ø = 2.0x 5.0 mm / length = 300 mm)		129.0357	1095
	Capillary tube for wire Ø 1.6 mm (Ø = 2.0x 5.0 mm / length = 500 mm)		129.0361	1095
	Capillary tube for wire Ø 1.6 mm (Ø = 2.0x 5.0 mm / length = 1000 mm)		129.0227	1095
	Capillary tube for wire Ø 2.0 mm and 2.4 mm (Ø = 3.0x 5.0 / length = 200 mm)		129.0395	1095
	Capillary tube for wire Ø 2.0 mm and 2.4 mm (Ø = 3.0x 5.0 / length = 300 mm)		129.0411	1095
	Capillary tube for wire Ø 2.0 mm and 2.4 mm (Ø = 3.0x 5.0 / length = 500 mm)		129.0412	1095
	Capillary tube for wire Ø 2.0 mm and 2.4 mm (Ø = 3.0x 5.0 / length = 1000 mm)		129.0366	1095
e)	Guide tubes			
	Guide tube for core liners up to Ø 4.0 (200 mm)		129.0461	1095
	Guide tube for core liners up to Ø 4.0 (300 mm)		129.0471	1095
	Guide tube for core liners up to Ø 4.0 (500 mm)		129.0473	1095
	Guide tube for core liners up to Ø 4.0 (1000 mm)		129.0426	1095
f)	Quick disconnectors			
	Quick coupling for hose Ø 8 mm		501.0190	1092
	Quick coupling for hose Ø 6 mm		501.0204	1092
	Quick coupling for hose Ø 6.5 mm		501.0230	1092
	Quick coupling with coupling nut G 3/8" with power fitting		501.0163	1092
	Quick coupling for hose Ø 10 mm		501.0195	1092
	Quick coupling with coupling nut M12x1.5		501.0194	1092
	Quick coupling with coupling nut G 3/8"		501.0189	1092
	Quick coupling with coupling nut M12x1		501.0176	1092
	Quick coupling with coupling nut G 1/4"		501.0158	1092
	Quick coupling with coupling nut M14x1		501.0197	1092
	Quick coupling with coupling nut G 1/2"		501.0191	1092
	Quick coupling with nut 5/8"; external thread left		501.0188	1092
	Quick coupling with coupling nut 7/8" 14G-UNF		501.0196	1092
	Gasket ring	20 Pcs.	501.0304	1095
	Quick coupling with G 1/8" (external thread)		177.0003	1092
	Quick coupling with G 1/8" (internal thread)		177.0002	1092
	Quick coupling with G 3/8" (external thread)		177.0012	1092

Central adaptor and central connector system

Assembly instruction for use of PTFE- and plastic liners:



Dimension sketch for central adaptors (please insert the exact dimensions and send back by fax or e-mail):



	Power source	Wire feeder
Manufacturer		
Type		
Serial No.		
Constr. year		

	Connections Plug conn.	Thread	Hose cable length (in mm)	Connections inside	Connections outside
Gas					
Current					
Water preflow					
Current / Water					
Control lead	1 <input type="checkbox"/>	2 <input type="checkbox"/>	3 <input type="checkbox"/>	-pole	

Sender

Company:	
Street / No.:	
Post code:	
City:	

Name:	
Phone:	
Fax:	
Date:	
Signature:	

Hint:

Copy this page so you can use it several times.



Spare Parts List (numerical)

Spare Parts List (numerical)

Pos.	Description	Units	Part-No.	Product-group
000.0543	Pan head screw M3x10		20 Pcs.	9010
000.0548	Pan head screw M3x20		20 Pcs.	9010
000.0552	Pan head screw M4x6		20 Pcs.	9010
000.0556	Flat headed screw M4x12		20 Pcs.	9010
000.0558	Pan head screw M4x20		20 Pcs.	9010
000.0560	Pan head screw M4x25		20 Pcs.	9010
000.0636	Cylinder pin 1.5x30			9010
000.0647	Pan head screw		20 Pcs.	9010
001.0009	Hexagon nut M10x1		10 Pcs.	9010
001.0271	Ring		20 Pcs.	9010
001.0305	Brass spiral made up with sleeve (200 mm)			1095
002.0009	Swan neck MB 15 AK; 50° bent			1007
002.0029	Swan neck MB 15 AK; flexible			1007
002.0050	Head insulator		10 Pcs.	1095
002.0058	Nozzle spring		20 Pcs.	1095
002.0078	Gas nozzle holder			1095
002.0449	MB 15 AK; ERGO; central adaptor KZ-2; 3.00 m			1001
002.0450	MB 15 AK; ERGO; central adaptor KZ-2; 4.00 m			1001
002.0451	MB 15 AK; ERGO; central adaptor KZ-2; 5.00 m			1001
002.0604	MB 15 AK GRIP; central adaptor KZ-2; 3.00 m			1001
002.0605	MB 15 AK GRIP; central adaptor KZ-2; 4.00 m			1001
002.0606	MB 15 AK GRIP; central adaptor KZ-2; 5.00 m			1001
003.0013	Nozzle spring		20 Pcs.	1095
004.0012	Swan neck MB 25 AK; 50° bent			1007
004.0032	Swan neck MB 25 AK; flexible			1007
004.0312	MB 25 AK; ERGO; central adaptor KZ-2; 3.00 m			1001
004.0313	MB 25 AK; ERGO; central adaptor KZ-2; 4.00 m			1001
004.0314	MB 25 AK; ERGO; central adaptor KZ-2; 5.00 m			1001
004.0510	MB 25 AK GRIP; central adaptor KZ-2; 3.00 m			1001
004.0511	MB 25 AK GRIP; central adaptor KZ-2; 4.00 m			1001
004.0512	MB 25 AK GRIP; central adaptor KZ-2; 5.00 m			1001
004.D624.5	Contact tip holder M14/M6/51 US		5 Pcs.	1533
006.D719.5	Contact tip holder M12/M6/35 US		5 Pcs.	1595
009.0172	Hexagon nut M4		20 Pcs.	9010
009.0315	Counter sunk screw M4x8		20 Pcs.	1095
012.0001	Swan neck MB 24 KD; 50° bent			1007
012.0103	MB 24 KD; ERGO; central adaptor KZ-2; 3.00 m			1001
012.0104	MB 24 KD; ERGO; central adaptor KZ-2; 4.00 m			1001
012.0105	MB 24 KD; ERGO; central adaptor KZ-2; 5.00 m			1001
012.0183	Gas diffuser, white		10 Pcs.	1032
012.0194	Swan neck PP 24 D; 45° bent			1007
012.0243	Gas diffuser, silicone rubber		10 Pcs.	1032
012.0251	MB 24 KD GRIP; central adaptor KZ-2; 3.00 m			1001
012.0252	MB 24 KD GRIP; central adaptor KZ-2; 4.00 m			1001
012.0253	MB 24 KD GRIP; central adaptor KZ-2; 5.00 m			1001
013.0001	Swan neck RB 61 GD; 35° bent			1014
013.0030	Gas diffuser		10 Pcs.	1032
013.0053	RB 61 GD; industrial handle; central adaptor RGZ-2; 3.00 m			1013
013.0054	RB 61 GD; industrial handle; central adaptor RGZ-2; 4.00 m			1013
013.0097	Gas diffuser, ceramic		10 Pcs.	1032
014.0006	Swan neck MB 36 KD; 50° bent			1014
014.0023	Gas diffuser, ceramic		10 Pcs.	1032
014.0026	Gas diffuser, long life		10 Pcs.	1032
014.0095	Swan neck PP 26/36 D; 45° bent			1014
014.0143	MB 36 KD; ERGO; central adaptor KZ-2; 3.00 m			1013
014.0144	MB 36 KD; ERGO; central adaptor KZ-2; 4.00 m			1013

Spare Parts List (numerical)

Pos.	Description	Units	Part-No.	Product-group
014.0145	MB 36 KD; ERGO; central adaptor KZ-2; 5.00 m			1013
014.0261	Gas diffuser, white		10 Pcs.	1032
014.0334	MB 36 KD GRIP; central adaptor KZ-2; 3.00 m			1013
014.0335	MB 36 KD GRIP; central adaptor KZ-2; 4.00 m			1013
014.0336	MB 36 KD GRIP; central adaptor KZ-2; 5.00 m			1013
014.D745.5	Contact tip holder M16/M8/52 US		5 Pcs.	1533
018.0001	Swan neck MB 26 KD; 50° bent			1014
018.0062	MB 26 KD; ERGO; central adaptor KZ-2; 3.00 m			1013
018.0063	MB 26 KD; ERGO; central adaptor KZ-2; 4.00 m			1013
018.0064	MB 26 KD; ERGO; central adaptor KZ-2; 5.00 m			1013
018.0116	Gas diffuser, white		10 Pcs.	1032
018.0141	Gas diffuser, ceramic		10 Pcs.	1032
018.0146	MB 26 KD GRIP; central adaptor KZ-2; 3.00 m			1013
018.0147	MB 26 KD GRIP; central adaptor KZ-2; 4.00 m			1013
018.0148	MB 26 KD GRIP; central adaptor KZ-2; 5.00 m			1013
023.0001	Swan neck MB 240 D; 50° bent			1009
023.0077	MB 240 D; ERGO; central adaptor WZ-2; 3.00 m			1002
023.0078	MB 240 D; ERGO; central adaptor WZ-2; 4.00 m			1002
023.0079	MB 240 D; ERGO; central adaptor WZ-2; 5.00 m			1002
023.0225	MB 240 D GRIP; central adaptor WZ-2; 3.00 m			1002
023.0226	MB 240 D GRIP; central adaptor WZ-2; 4.00 m			1002
023.0227	MB 240 D GRIP; central adaptor WZ-2; 5.00 m			1002
023.0228	Swan neck MB GRIP 240 D; 50° bent			1009
024.0030	Outer cover			1095
030.0001	Swan neck MB 401; 50° bent			1009
030.0019	Insulator		20 Pcs.	1095
030.0037	Gas diffuser, long life		10 Pcs.	1032
030.0125	MB 401; ERGO; central adaptor WZ-2; 3.00 m			1002
030.0126	MB 401; ERGO; central adaptor WZ-2; 4.00 m			1002
030.0127	MB 401; ERGO; central adaptor WZ-2; 5.00 m			1002
030.0145	Gas diffuser, white		10 Pcs.	1032
030.0190	Gas diffuser, ceramic		10 Pcs.	1032
030.0205	MB 401 GRIP; central adaptor WZ-2; 3.00 m			1002
030.0206	MB 401 GRIP; central adaptor WZ-2; 4.00 m			1002
030.0207	MB 401 GRIP; central adaptor WZ-2; 5.00 m			1002
030.0208	Swan neck MB GRIP 401; 50° bent			1009
032.0002	Swan neck MB 501; 50° bent			1009
032.0145	MB 501; ERGO; central adaptor WZ-2; 3.00 m			1002
032.0146	MB 501; ERGO; central adaptor WZ-2; 4.00 m			1002
032.0147	MB 501; ERGO; central adaptor WZ-2; 5.00 m			1002
032.0231	MB 501 GRIP; central adaptor WZ-2; 3.00 m			1002
032.0232	MB 501 GRIP; central adaptor WZ-2; 4.00 m			1002
032.0233	MB 501 GRIP; central adaptor WZ-2; 5.00 m			1002
032.0234	Swan neck MB GRIP 501; 50° bent			1009
033.0001	Swan neck MB 401 D; 50° bent			1009
033.0107	MB 401 D; ERGO; central adaptor WZ-2; 3.00 m			1002
033.0108	MB 401 D; ERGO; central adaptor WZ-2; 4.00 m			1002
033.0109	MB 401 D; ERGO; central adaptor WZ-2; 5.00 m			1002
033.0271	MB 401 D GRIP; central adaptor WZ-2; 3.00 m			1002
033.0272	MB 401 D GRIP; central adaptor WZ-2; 4.00 m			1002
033.0273	MB 401 D GRIP; central adaptor WZ-2; 5.00 m			1002
033.0277	Swan neck MB GRIP 401 D; 50° bent			1009
034.0001	Swan neck MB 501 D; 50° bent			1009
034.0160	MB 501 D; ERGO; central adaptor WZ-2; 3.00 m			1002
034.0161	MB 501 D; ERGO; central adaptor WZ-2; 4.00 m			1002
034.0162	MB 501 D; ERGO; central adaptor WZ-2; 5.00 m			1002

Spare Parts List (numerical)

Pos.	Description	Units	Part-No.	Product-group
034.0492	MB 501 D GRIP; central adaptor WZ-2; 3.00 m			1002
034.0493	MB 501 D GRIP; central adaptor WZ-2; 4.00 m			1002
034.0494	MB 501 D GRIP; central adaptor WZ-2; 5.00 m			1002
034.0496	Swan neck MB GRIP 501 D; 50° bent			1009
035.0001	Swan neck RB 610 D; 35° bent			1009
035.0002	Swan neck RB 610 D; straight			1009
035.0025	RB 610 D; industrial handle; central adaptor RWZ-2; 4.00 m			1002
035.0032	RP 610 D; handle pistole-type; central adaptor RWZ-2; 3.00 m			1003
035.0034	RP 610 D; handle pistole-type; central adaptor RWZ-2; 4.00 m			1003
035.0037	RB 610 D; industrial handle; central adaptor RWZ-2; 3.00 m			1002
039.0001	Swan neck MB 602; 50° bent			1009
039.0008	Gas diffuser		10 Pcs.	1032
039.0023	MB 602; industrial handle; central adaptor WZ-2; 3.00 m			1002
039.0025	MB 602; industrial handle; central adaptor WZ-2; 4.00 m			1002
039.0037	MB 602; industrial handle; central adaptor WZ-2; 5.00 m			1002
039.0090	Gas diffuser, ceramic		10 Pcs.	1032
079.0003	Sheet metal screw 2.9x6.5		20 Pcs.	9010
079.0034	Srew 3.5x9.5		20 Pcs.	9010
080.0003	Drive roll cap cpl.			1095
080.0004	Drive roll seat cpl.			1095
080.0005	Drive roll cap			1095
080.0006	Knob for drive roll cap			1095
080.0007	Idler arm cpl.			1095
080.0009	Printed circuit board for 42 V motor			1095
080.0010	Gear motor 42 V with flange for wire drive roll			1095
080.0019	Drive roll for wire Ø 0.8 mm			1095
080.0021	Drive roll for wire Ø 1.0 mm			1095
080.0022	Drive roll for wire Ø 1.2 mm			1095
080.0023	Drive roll for wire Ø 1.6 mm			1095
080.0025	Drive roll for wire Ø 1.4 mm			1095
080.0026	Cable support			1095
080.0032	Pressure spring			1095
080.0042	Pressure roll			1095
080.0043	Ball			1095
080.0045	Transformer prim. 24 V / sec. 36 V			1095
080.0046	Brushes for gear motor			1095
080.0055	Transformer prim. 110 V / sec. 36 V			1095
080.0065	Cable assembly cpl. 8.00 m with 7-pol. control leads without central adaptor GZ-2			1095
080.0092	Gear motor 24 V with flange for wire drive roll			1095
080.0096	Handle halves			1095
081.0002	Swan neck PP 26/36 D; straight			1014
081.0003	Torch body PPL cpl.			1095
081.0016	Wire guide for bent neck 60.0 mm			1095
081.0017	Wire guide for straight neck 148.0 mm long			1095
081.0018	Lock nut M6		20 Pcs.	1095
081.0033	PP 26 D; straight; 42 V motor; central adaptor GZ-2; 8.00 m			1005
081.0035	PP 26 D; 45° bent; 42 V motor; central adaptor GZ-2; 8.00 m			1005
082.0001	Swan neck PP 24 D; straight			1007
082.0011	PP 24 D; straight; 42 V motor; central adaptor GZ-2; 8.00 m			1005
082.0014	PP 24 D; 45° bent; 42 V motor; central adaptor GZ-2; 8.00 m			1005
083.0002	Cable assembly cpl. 8.00 m with 7-pol. control leads without central adaptor GZ-2			1095
083.0014	PP 36 D; straight; 42 V motor; central adaptor GZ-2; 8.00 m			1005
083.0017	PP 36 D; 45° bent; 42 V motor; central adaptor GZ-2; 8.00 m			1005
090.0003	Cable support			1095
090.0026	Cable assembly cpl. 8.00 m with 7-pol. control leads without central adaptor WZ-2			1095
091.0001	Swan neck PP 401 D; 45° bent			1009

Spare Parts List (numerical)

Pos.	Description	Units	Part-No.	Product-group
091.0002	Swan neck PP 401 D; straight			1009
091.0003	Torch body PPW cpl.			1095
091.0043	PP 401 D; straight; 42 V motor; central adaptor WZ-2; 8.00 m			1005
091.0044	PP 401 D; 45° bent; 42 V motor; central adaptor WZ-2; 8.00 m			1005
092.0001	Swan neck PP 240 D; 45° bent			1009
092.0007	Swan neck PP 240 D; straight			1009
092.0018	PP 204 D; straight; 42 V motor; central adaptor WZ-2; 8.00 m			1005
092.0019	PP 240 D; 45° bent; 42 V motor; central adaptor WZ-2; 8.00 m			1005
100.0019	Control cable 2-pole		200 m	4050
100.0023	Control cable 3-pole		100 m	4050
100.0123	Control cable 2-pole		100 m	4050
103.0108	Hose 46 black Ø 5.5x1.5 cpl. with plug nipple ND 5; 0.6 m			1095
103.0114	Hose 46 red Ø 5.5x1.5 cpl. with plug nipple ND 5; 0.6 m			1095
105.0005	Outer cover rubber Ø 20x1.5		40 m	4050
107.0004	Outer cover Ø 25x1.5		40 m	4050
107.0044	Outer cover with cable support Ø 25x1.5 for 4.00 m			1095
107.0055	Outer cover Ø 28x1.5		40 m	4050
107.0079	Outer cover with cable support Ø 25x1.5 for 3.00 m			1095
107.0080	Outer cover with cable support Ø 25x1.5 for 5.00 m			1095
109.0040	Hose 30 black Ø 4.9x1.5		100 m	4050
109.0042	Hose 32 black LW 28 R		30 m	4050
109.0043	Hose 33 black LW 32 R		30 m	4050
109.0052	Hose 42 HDH black; Ø 5.5x1.5		40 m	4050
109.0056	Hose 46 red Ø 5.5x1.5		100 m	4050
109.0057	Hose 47 blue Ø 5.5x1.5		100 m	4050
115.0043	Power cable Push Pull (PVC) for 8.00 m			1012
115.0065	Power cable MB ERGO / MB GRIP / ABIMIG® (HDH) for 3.00 m			1012
115.0070	Power cable MB ERGO / MB GRIP / ABIMIG® (HDH) for 4.00 m			1012
115.0074	Power cable MB ERGO / MB GRIP / ABIMIG® (HDH) for 5.00 m			1012
115.0404	Power cable MB / RB (HDH) for 3.00 m			1012
115.0405	Power cable MB / RB (HDH) for 4.00 m			1012
115.0406	Power cable MB / RB (HDH) for 5.00 m			1012
115.0581	Power cable ABIMIG® GRIP / RAB Plus (PVC) for 3.00 m			1012
115.0582	Power cable ABIMIG® GRIP / RAB Plus (PVC) for 4.00 m			1012
115.0583	Power cable ABIMIG® GRIP / RAB Plus (PVC) for 5.00 m			1012
120.0018	Brass-liner CuZn 37; 1.8/4.4 (up to wire Ø 1.2)		50 m	1035
120.0041	Brass-liner CuZn 37; 2.2/4.4 (up to wire Ø 1.6)		50 m	1035
122.0005	Guide spiral liner blank; 1.5/4.0; for wire Ø 0.8; for 3.00 m			1034
122.0007	Guide spiral liner blank; 1.5/4.0; for wire Ø 0.8; for 4.00 m			1034
122.0009	Guide spiral liner blank; 1.5/4.0; for wire Ø 0.8; for 5.00 m			1034
122.0031	Guide spiral liner blank; 2.0/4.5; for wire Ø 1.0 - 1.2; for 3.00 m			1034
122.0036	Guide spiral liner blank; 2.0/4.5; for wire Ø 1.0 - 1.2; for 4.00 m			1034
122.0039	Guide spiral liner blank; 2.0/4.5; for wire Ø 1.0 - 1.2; for 5.00 m			1034
122.0040	Guide spiral liner blank; 2.0/4.5; for wire Ø 0.8 - 1.2; for 8.00 m			1034
122.0056	Guide spiral liner blank; 2.5/4.5; for wire Ø 1.6; for 3.00 m			1034
122.0060	Guide spiral liner blank; 2.5/4.5; for wire Ø 1.6; for 4.00 m			1034
122.0063	Guide spiral liner blank; 2.5/4.5; for wire Ø 1.6; for 5.00 m			1034
122.0065	Guide spiral liner blank; 2.5/4.5; for wire Ø 1.4 - 1.6; for 8.00 m			1034
122.0066	Guide spiral liner blank; Ø 2.8/6.3 mm; for 3.00 m			1034
122.0067	Guide spiral liner blank; Ø 2.8/6.3 mm; for 4.00 m			1034
122.0073	Guide spiral liner blank 3.5/4.9; for wire Ø 2.0 - 2.4; for 3.00 m			1034
122.0075	Guide spiral liner blank 3.5/4.9; for wire Ø 2.0 - 2.4; for 4.00 m			1034
122.0076	Guide spiral liner blank 3.5/4.9; for wire Ø 2.0 - 2.4; for 5.00 m			1034
122.0079	Guide spiral liner blank; Ø 3.5/7.0 mm; for 3.00 m			1034
122.0080	Guide spiral liner blank; Ø 3.5/7.0 mm; for 4.00 m			1034
122.0083	Guide spiral liner blank; Ø 4.5/7.0 mm; for 3.00 m			1034

Spare Parts List (numerical)

Pos.	Description	Units	Part-No.	Product-group
122.0084	Guide spiral liner blank; Ø 4.5/7.0 mm; for 4.00 m			1034
124.0011	Guide spiral liner insulated; 1.5/4.5; blue; for wire Ø 0.6 - 0.8; for 3.00 m			1034
124.0012	Guide spiral liner insulated; 1.5/4.5; blue; for wire Ø 0.6 - 0.8; for 4.00 m			1034
124.0015	Guide spiral liner insulated; 1.5/4.5; blue; for wire Ø 0.6 - 0.8; for 5.00 m			1034
124.0026	Guide spiral liner insulated; 2.0/4.5; red; for wire Ø 1.0 - 1.2; for 3.00 m			1034
124.0031	Guide spiral liner insulated; 2.0/4.5; red; for wire Ø 1.0 - 1.2; for 4.00 m			1034
124.0035	Guide spiral liner insulated; 2.0/4.5; red; for wire Ø 1.0 - 1.2; for 5.00 m			1034
124.0041	Guide spiral liner insulated; 2.5/4.5; yellow; for wire Ø 1.4 - 1.6; for 3.00 m			1034
124.0042	Guide spiral liner insulated; 2.5/4.5; yellow; for wire Ø 1.4 - 1.6; for 4.00 m			1034
124.0044	Guide spiral liner insulated; 2.5/4.5; yellow; for wire Ø 1.4 - 1.6; for 5.00 m			1034
124.0111	Guide spiral liner insulated; 2.0/4.5; red; for wire Ø 1.0 - 1.2; for 3.00 m			1334
124.0112	Guide spiral liner insulated; 2.0/4.5; red; for wire Ø 1.0 - 1.2; for 4.00 m			1334
124.0113	Guide spiral liner insulated; 2.0/4.5; red; for wire Ø 1.0 - 1.2; for 5.00 m			1334
124.0114	Guide spiral liner insulated; 2.5/4.5; yellow; for wire Ø 1.6; for 3.00 m			1334
124.0115	Guide spiral liner insulated; 2.5/4.5; yellow; for wire Ø 1.6; for 4.00 m			1334
124.0116	Guide spiral liner insulated; 2.5/4.5; yellow; for wire Ø 1.6; for 5.00 m			1334
124.0137	Guide spiral liner insulated; 1.5/4.0; blue; for wire Ø 0.8; for 3.00 m			1334
124.0138	Guide spiral liner insulated; 1.5/4.0; blue; for wire Ø 0.8; for 4.00 m			1334
124.0139	Guide spiral liner insulated; 1.5/4.0; blue; for wire Ø 0.8; for 5.00 m			1334
124.D113	Guide spiral liner insulated; 1.9/5.5; red; for wire Ø 1.0 - 1.2; for 3.00 m			1534
124.D114	Guide spiral liner insulated; 1.9/5.5; red; for wire Ø 1.0 - 1.2; for 4.00 m			1534
124.D115	Guide spiral liner insulated; 1.9/5.5; red; for wire Ø 1.0 - 1.2; for 5.00 m			1534
124.D116	Guide spiral liner insulated; 2.2/6.0; white; for wire Ø 1.4 - 1.6; for 3.00 m			1534
124.D117	Guide spiral liner insulated; 2.2/6.0; white; for wire Ø 1.4 - 1.6; for 4.00 m			1534
124.D118	Guide spiral liner insulated; 2.2/6.0; white; for wire Ø 1.4 - 1.6; for 5.00 m			1534
124.D119	Guide spiral liner insulated; 3.0/6.4; blue; for wire Ø 2.0 - 2.4; for 3.00 m			1534
124.D120	Guide spiral liner insulated; 3.0/6.4; blue; for wire Ø 2.0 - 2.4; for 4.00 m			1534
124.D121	Guide spiral liner insulated; 3.0/6.4; blue; for wire Ø 2.0 - 2.4; for 5.00 m			1534
126.0005	PTFE core liner 1.5/4.0; blue; wire electrode Ø 0.8 - 1.0; for 3.00 m			1034
126.0008	PTFE core liner 1.5/4.0; blue; wire electrode Ø 0.8 - 1.0; for 4.00 m			1034
126.0011	PTFE core liner 1.5/4.0; blue; wire electrode Ø 0.8 - 1.0; for 5.00 m			1034
126.0021	PTFE core liner 2.0/4.0; red; wire electrode Ø 1.0 - 1.2; for 3.00 m			1034
126.0026	PTFE core liner 2.0/4.0; red; wire electrode Ø 1.0 - 1.2; for 4.00 m			1034
126.0028	PTFE core liner 2.0/4.0; red; wire electrode Ø 1.0 - 1.2; for 5.00 m			1034
126.0030	PTFE core liner 2.0/4.0; red; wire electrode Ø 0.8 - 1.2; for 8.00 m			1034
126.0039	PTFE core liner 2.7/4.7; yellow; wire electrode Ø 1.6; for 3.00 m			1034
126.0042	PTFE core liner 2.7/4.7; yellow; wire electrode Ø 1.6; for 4.00 m			1034
126.0045	PTFE core liner 2.7/4.7; yellow; wire electrode Ø 1.6; for 5.00 m			1034
126.0047	PTFE core liner 2.7/4.7; yellow; wire electrode Ø 1.4 - 1.6; for 8.00 m			1034
126.0069	Plastic core liner; 2.0; petrol; for wire Ø 1.0 - 1.2; for 3.00 m			1334
126.0070	Plastic core liner; 2.0; petrol; for wire Ø 1.0 - 1.2; for 4.00 m			1334
126.0071	Plastic core liner; 2.0; petrol; for wire Ø 1.0 - 1.2; for 5.00 m			1334
126.0072	Plastic core liner; 2.4; petrol; for wire Ø 1.6; for 3.00 m			1334
126.0073	Plastic core liner; 2.4; petrol; for wire Ø 1.6; for 4.00 m			1334
126.0074	Plastic core liner; 2.4; petrol; for wire Ø 1.6; for 5.00 m			1334
127.0002	PTFE carbon core liner 1.5/4.0; wire electrode Ø 0.8 - 1.0; for 3.00 m			1034
127.0003	PTFE carbon core liner 1.5/4.0; wire electrode Ø 0.8 - 1.0; for 4.00 m			1034
127.0004	PTFE carbon core liner 1.5/4.0; wire electrode Ø 0.8 - 1.0; for 5.00 m			1034
127.0005	PTFE carbon core liner 2.0/4.0; wire electrode Ø 1.0 - 1.2; for 3.00 m			1034
127.0007	PTFE carbon core liner 2.0/4.0; wire electrode Ø 1.0 - 1.2; for 4.00 m			1034
127.0008	PTFE carbon core liner 2.0/4.0; wire electrode Ø 1.0 - 1.2; for 5.00 m			1034
127.0009	PTFE carbon core liner 2.0/4.0; wire electrode Ø 0.8 - 1.2; for 8.00 m			1034
127.0010	PTFE carbon core liner 2.7/4.7; wire electrode Ø 1.6; for 3.00 m			1034
127.0012	PTFE carbon core liner 2.7/4.7; wire electrode Ø 1.6; for 4.00 m			1034
127.0013	PTFE carbon core liner 2.7/4.7; wire electrode Ø 1.6; for 5.00 m			1034
127.0014	PTFE carbon core liner 2.7/4.7; wire electrode Ø 1.4 - 1.6; for 8.00 m			1034

Spare Parts List (numerical)

Pos.	Description	Units	Part-No.	Product-group
128.0019	Polyamid core liner 2.0/4.0; wire electrode Ø 0.8 - 1.2; for 8.00 m			1034
128.0023	Polyamid core liner 2.3/4.7; wire electrode Ø 1.4 - 1.6; for 8.00 m			1034
128.M002	Combined wire guide cpl. polyamide/brass; 2.0/4.0; wire Ø 1.0 - 1.2; for 3.00 m			1034
128.M003	Combined wire guide cpl. polyamide/brass; 2.0/4.0; wire Ø 1.0 - 1.2; for 4.00 m			1034
128.M004	Combined wire guide cpl. polyamide/brass; 2.0/4.0; wire Ø 1.0 - 1.2; for 5.00 m			1034
129.0107	Capillary tube for wire Ø 1.0 mm (Ø = 1.5x 5.0 mm / length = 1000 mm)			1095
129.0164	Capillary tube for wire Ø 1.0 mm (Ø = 1.5x 5.0 mm / length = 200 mm)			1095
129.0187	Capillary tube for wire Ø 1.0 mm (Ø = 1.5x 5.0 mm / length = 300 mm)			1095
129.0189	Capillary tube for wire Ø 1.0 mm (Ø = 1.5x 5.0 mm / length = 500 mm)			1095
129.0227	Capillary tube for wire Ø 1.6 mm (Ø = 2.0x 5.0 mm / length = 1000 mm)			1095
129.0313	Capillary tube for wire Ø 1.6 mm (Ø = 2.0x 5.0 mm / length = 200 mm)			1095
129.0357	Capillary tube for wire Ø 1.6 mm (Ø = 2.0x 5.0 mm / length = 300 mm)			1095
129.0361	Capillary tube for wire Ø 1.6 mm (Ø = 2.0x 5.0 mm / length = 500 mm)			1095
129.0366	Capillary tube for wire Ø 2.0 mm and 2.4 mm (Ø = 3.0x 5.0 / length = 1000 mm)			1095
129.0395	Capillary tube for wire Ø 2.0 mm and 2.4 mm (Ø = 3.0x 5.0 / length = 200 mm)			1095
129.0411	Capillary tube for wire Ø 2.0 mm and 2.4 mm (Ø = 3.0x 5.0 / length = 300 mm)			1095
129.0412	Capillary tube for wire Ø 2.0 mm and 2.4 mm (Ø = 3.0x 5.0 / length = 500 mm)			1095
129.0426	Guide tube for core liners up to Ø 4.0 (1000 mm)			1095
129.0461	Guide tube for core liners up to Ø 4.0 (200 mm)			1095
129.0471	Guide tube for core liners up to Ø 4.0 (300 mm)			1095
129.0473	Guide tube for core liners up to Ø 4.0 (500 mm)			1095
131.0001	Nipple for core liner at Ø 4.0		20 Pcs.	1095
131.0002	Nipple for core liner at Ø 4.7		20 Pcs.	1095
140.0008	Contact tip M6 E-Cu; Ø 0.6 (6x25)		10 Pcs.	1030
140.0008.50	Contact tip M6 E-Cu; Ø 0.6 (6x25)		50 Pcs.	1030
140.0051	Contact tip M6 E-Cu; Ø 0.8 (8x28)		10 Pcs.	1030
140.0051.50	Contact tip M6 E-Cu; Ø 0.8 (8x28)		50 Pcs.	1030
140.0054	Contact tip M6 CuCrZr; Ø 0.8 (8x28)		10 Pcs.	1031
140.0054.50	Contact tip M6 CuCrZr; Ø 0.8 (8x28)		50 Pcs.	1031
140.0059	Contact tip M6 E-Cu; Ø 0.8 (6x25)		10 Pcs.	1030
140.0059.50	Contact tip M6 E-Cu; Ø 0.8 (6x25)		50 Pcs.	1030
140.0062	Contact tip M6 CuCrZr; Ø 0.8 (6x25)		10 Pcs.	1031
140.0114	Contact tip M8 E-Cu; Ø 0.8 (10x30)		10 Pcs.	1030
140.0114.50	Contact tip M8 E-Cu; Ø 0.8 (10x30)		50 Pcs.	1030
140.0117	Contact tip M8 CuCrZr; Ø 0.8 (10x30)		10 Pcs.	1031
140.0117.50	Contact tip M8 CuCrZr; Ø 0.8 (10x30)		50 Pcs.	1031
140.0242	Contact tip M6 E-Cu; Ø 1.0 (8x28)		10 Pcs.	1030
140.0242.50	Contact tip M6 E-Cu; Ø 1.0 (8x28)		50 Pcs.	1030
140.0245	Contact tip M6 CuCrZr; Ø 1.0 (8x28)		10 Pcs.	1031
140.0245.50	Contact tip M6 CuCrZr; Ø 1.0 (8x28)		50 Pcs.	1031
140.0253	Contact tip M6 E-Cu; Ø 1.0 (6x25)		10 Pcs.	1030
140.0253.50	Contact tip M6 E-Cu; Ø 1.0 (6x25)		50 Pcs.	1030
140.0256	Contact tip M6 CuCrZr; Ø 1.0 (6x25)		10 Pcs.	1031
140.0313	Contact tip M8 E-Cu; Ø 1.0 (10x30)		10 Pcs.	1030
140.0313.50	Contact tip M8 E-Cu; Ø 1.0 (10x30)		50 Pcs.	1030
140.0316	Contact tip M8 CuCrZr; Ø 1.0 (10x30)		10 Pcs.	1031
140.0316.50	Contact tip M8 CuCrZr; Ø 1.0 (10x30)		50 Pcs.	1031
140.0348	Contact tip M10 CuCrZr; Ø 1.0 (12x35)		10 Pcs.	1031
140.0379	Contact tip M6 E-Cu; Ø 1.2 (8x28)		10 Pcs.	1030
140.0379.50	Contact tip M6 E-Cu; Ø 1.2 (8x28)		50 Pcs.	1030
140.0382	Contact tip M6 CuCrZr; Ø 1.2 (8x28)		10 Pcs.	1031
140.0382.50	Contact tip M6 CuCrZr; Ø 1.2 (8x28)		50 Pcs.	1031
140.0442	Contact tip M8 E-Cu; Ø 1.2 (10x30)		10 Pcs.	1030
140.0442.50	Contact tip M8 E-Cu; Ø 1.2 (10x30)		50 Pcs.	1030
140.0445	Contact tip M8 CuCrZr; Ø 1.2 (10x30)		10 Pcs.	1031
140.0445.50	Contact tip M8 CuCrZr; Ø 1.2 (10x30)		50 Pcs.	1031

Spare Parts List (numerical)

Pos.	Description	Units	Part-No.	Product-group
140.0481	Contact tip M10 CuCrZr; Ø 1.2 (12x35)	10 Pcs.		1031
140.0516	Contact tip M6 E-Cu; Ø 1.4 (8x28)	10 Pcs.		1030
140.0516.50	Contact tip M6 E-Cu; Ø 1.4 (8x28)	50 Pcs.		1030
140.0519	Contact tip M6 CuCrZr; Ø 1.4 (8x28)	10 Pcs.		1031
140.0519.50	Contact tip M6 CuCrZr; Ø 1.4 (8x28)	50 Pcs.		1031
140.0533	Contact tip M8 E-Cu; Ø 1.4 (10x30)	10 Pcs.		1030
140.0533.50	Contact tip M8 E-Cu; Ø 1.4 (10x30)	50 Pcs.		1030
140.0536	Contact tip M8 CuCrZr; Ø 1.4 (10x30)	10 Pcs.		1031
140.0536.50	Contact tip M8 CuCrZr; Ø 1.4 (10x30)	50 Pcs.		1031
140.0555	Contact tip M6 E-Cu; Ø 1.6 (8x28)	10 Pcs.		1030
140.0555.50	Contact tip M6 E-Cu; Ø 1.6 (8x28)	50 Pcs.		1030
140.0558	Contact tip M6 CuCrZr; Ø 1.6 (8x28)	10 Pcs.		1031
140.0587	Contact tip M8 E-Cu; Ø 1.6 (10x30)	10 Pcs.		1030
140.0587.50	Contact tip M8 E-Cu; Ø 1.6 (10x30)	50 Pcs.		1030
140.0590	Contact tip M8 CuCrZr; Ø 1.6 (10x30)	10 Pcs.		1031
140.0590.50	Contact tip M8 CuCrZr; Ø 1.6 (10x30)	50 Pcs.		1031
140.0616	Contact tip M10 CuCrZr; Ø 1.6 (12x35)	10 Pcs.		1031
140.0616.50	Contact tip M10 CuCrZr; Ø 1.6 (12x35)	50 Pcs.		1031
140.0653	Contact tip M8 E-Cu; Ø 2.0 (10x30)	10 Pcs.		1030
140.0656	Contact tip M8 CuCrZr; Ø 2.0 (10x30)	10 Pcs.		1031
140.0665	Contact tip M10 CuCrZr; Ø 2.0 (12x35)	10 Pcs.		1031
140.0677	Contact tip M8 E-Cu; Ø 2.4 (10x30)	10 Pcs.		1030
140.0677.50	Contact tip M8 E-Cu; Ø 2.4 (10x30)	50 Pcs.		1030
140.0679	Contact tip M8 CuCrZr; Ø 2.4 (10x30)	10 Pcs.		1031
140.0698	Contact tip M10 CuCrZr; Ø 2.4 (12x35)	10 Pcs.		1031
140.0712	Contact tip M10 CuCrZr; Ø 2.8 (12x35)	10 Pcs.		1031
140.0734	Contact tip M10 CuCrZr; Ø 3.2 (12x35)	10 Pcs.		1031
140.0855	Contact tip M6 CuCrZr; Ø 0.6 (6x25)	10 Pcs.		1031
140.1312	Contact tip CuCrZr; Ø 1.0 (9.9x38)	10 Pcs.		1031
140.1313	Contact tip CuCrZr; Ø 1.2 (9.9x38)	10 Pcs.		1031
140.1315	Contact tip CuCrZr; Ø 1.6 (9.9x38)	10 Pcs.		1031
140.1318	Contact tip CuCrZr; Ø 1.0 (9.9x32)	10 Pcs.		1031
140.1319	Contact tip CuCrZr; Ø 1.2 (9.9x32)	10 Pcs.		1031
140.1321	Contact tip CuCrZr; Ø 1.6 (9.9x32)	10 Pcs.		1031
140.1542.10	Contact tip M10 E-Cu; Ø 1.0 (12x35)	10 Pcs.		1030
140.1543.10	Contact tip M10 E-Cu; Ø 1.2 (12x35)	10 Pcs.		1030
140.1544.10	Contact tip M10 E-Cu; Ø 1.6 (12x35)	10 Pcs.		1030
141.0001	Contact tip M6 E-Cu; Ø 0.8 for alu wire (8x28)	10 Pcs.		1030
141.0001.50	Contact tip M6 E-Cu; Ø 0.8 for alu wire (8x28)	50 Pcs.		1030
141.0002	Contact tip M6 E-Cu; Ø 0.8 for alu wire (6x25)	10 Pcs.		1030
141.0003	Contact tip M8 E-Cu; Ø 0.8 for alu wire (10x30)	10 Pcs.		1030
141.0006	Contact tip M6 E-Cu; Ø 1.0 for alu wire (8x28)	10 Pcs.		1030
141.0006.50	Contact tip M6 E-Cu; Ø 1.0 for alu wire (8x28)	50 Pcs.		1030
141.0007	Contact tip M6 E-Cu; Ø 1.0 for alu wire (6x25)	10 Pcs.		1030
141.0008	Contact tip M8 E-Cu; Ø 1.0 for alu wire (10x30)	10 Pcs.		1030
141.0010	Contact tip M6 E-Cu; Ø 1.2 for alu wire (8x28)	10 Pcs.		1030
141.0010.50	Contact tip M6 E-Cu; Ø 1.2 for alu wire (8x28)	50 Pcs.		1030
141.0015	Contact tip M8 E-Cu; Ø 1.2 for alu wire (10x30)	10 Pcs.		1030
141.0015.50	Contact tip M8 E-Cu; Ø 1.2 for alu wire (10x30)	50 Pcs.		1030
141.0020	Contact tip M6 E-Cu; Ø 1.6 for alu wire (8x28)	10 Pcs.		1030
141.0022	Contact tip M8 E-Cu; Ø 1.6 for alu wire (10x30)	10 Pcs.		1030
141.0022.50	Contact tip M8 E-Cu; Ø 1.6 for alu wire (10x30)	50 Pcs.		1030
141.0033	Contact tip M8 E-Cu; Ø 2.0 for alu wire (10x30)	10 Pcs.		1030
141.0055	Contact tip M8 E-Cu; Ø 1.4 for alu wire (10x30)	10 Pcs.		1030
142.0001	Contact tip holder M6; 35.0 mm	10 Pcs.		1033
142.0003	Contact tip holder M6; 26.0 mm	10 Pcs.		1033

Spare Parts List (numerical)

Pos.	Description	Units	Part-No.	Product-group
142.0005	Contact tip holder M6; 26.0 mm (short)	10 Pcs.		1033
142.0007	Contact tip holder M6; 22.0 mm (short)	10 Pcs.		1033
142.0008	Contact tip holder M6; 25.0 mm (short)	10 Pcs.		1033
142.0010	Contact tip holder M6; 28.0 mm	10 Pcs.		1033
142.0011	Contact tip holder M6; 32.0 mm (long)	10 Pcs.		1033
142.0012	Contact tip holder M6; 25.0 mm (long)	10 Pcs.		1033
142.0013	Contact tip holder M6; 29.0 mm (long)	10 Pcs.		1033
142.0020	Contact tip holder M8; 28.0 mm (short)	10 Pcs.		1033
142.0022	Contact tip holder M8; 25.0 mm (short)	10 Pcs.		1033
142.0023	Contact tip holder M8; 24.0 mm	10 Pcs.		1033
142.0024	Contact tip holder M8; 34.0 mm (long)	10 Pcs.		1033
142.0026	Contact tip holder M8; 25.0 mm (long)	10 Pcs.		1033
142.0027	Contact tip holder M8; 29.0 mm (long)	10 Pcs.		1033
142.0032	Contact tip holder M10; 40.0 mm	10 Pcs.		1033
142.0082	Contact tip holder M8; 22.0 mm (short)	10 Pcs.		1033
142.0201.10	Contact tip holder M8; 27.0 mm; CuCrZr	10 Pcs.		1033
142.0202.10	Contact tip holder M10; 29.0 mm; CuCrZr	10 Pcs.		1033
145.0041	Gas nozzle; cylindrical; ND Ø 16.0	10 Pcs.		1036
145.0042	Gas nozzle; cylindrical; ND Ø 18.0	10 Pcs.		1036
145.0045	Gas nozzle; cylindrical; ND Ø 19.0	10 Pcs.		1037
145.0047	Gas nozzle; cylindrical; ND Ø 17.0	10 Pcs.		1036
145.0048	Gas nozzle; cylindrical; ND Ø 23.0	10 Pcs.		1037
145.0051	Gas nozzle; cylindrical; ND Ø 20.0	10 Pcs.		1037
145.0052	Gas nozzle; cylindrical; ND Ø 21.0	10 Pcs.		1037
145.0061	Gas nozzle; cylindrical with extended insulation; ND Ø 18.0	10 Pcs.		1036
145.0062	Gas nozzle; cylindrical; heavy duty; ND Ø 17.0	10 Pcs.		1036
145.0067	Gas nozzle; cylindrical with extended insulation; ND Ø 16.0	10 Pcs.		1036
145.0072	Gas nozzle; cylindrical; heavy duty; ND Ø 15.0	10 Pcs.		1036
145.0075	Gas nozzle; conical; ND Ø 12.0	10 Pcs.		1036
145.0076	Gas nozzle; conical; ND Ø 15.0	10 Pcs.		1036
145.0078	Gas nozzle; conical; ND Ø 16.0	10 Pcs.		1037
145.0080	Gas nozzle; conical; ND Ø 12.5	10 Pcs.		1036
145.0081	Gas nozzle; conical; ND Ø 20.0	10 Pcs.		1037
145.0085	Gas nozzle; conical; ND Ø 16.0	10 Pcs.		1037
145.0086	Gas nozzle; heavy duty; ND Ø 16.0 (only use with nozzle insulator)	10 Pcs.		1037
145.0088	Gas nozzle; conical; ND Ø 18.0	10 Pcs.		1037
145.0100	Gas nozzle; conical; with extended insulation; ND Ø 15.0	10 Pcs.		1036
145.0101	Gas nozzle; conical; heavy duty; ND Ø 12.5	10 Pcs.		1036
145.0107	Gas nozzle; conical; with extended insulation; ND Ø 12.0	10 Pcs.		1036
145.0116	Gas nozzle; conical; heavy duty; ND Ø 11.0	10 Pcs.		1036
145.0123	Gas nozzle; tapered; ND Ø 9.5	10 Pcs.		1036
145.0124	Gas nozzle; tapered; ND Ø 11.5	10 Pcs.		1036
145.0126	Gas nozzle; tapered; ND Ø 12.0	10 Pcs.		1037
145.0128	Gas nozzle; tapered; ND Ø 10.0	10 Pcs.		1036
145.0132	Gas nozzle; tapered; ND Ø 14.0	10 Pcs.		1037
145.0133	Gas nozzle; tapered; ND Ø 15.5	10 Pcs.		1037
145.0168	Spot weld gas nozzle; ND Ø 16.0	10 Pcs.		1036
145.0169	Spot weld gas nozzle; ND Ø 18.0	10 Pcs.		1036
145.0172	Spot weld gas nozzle; ND Ø 20.0	10 Pcs.		1037
145.0174	Spot weld gas nozzle; ND Ø 17.0	10 Pcs.		1036
145.0179	Spot weld gas nozzle; ND Ø 20.0	10 Pcs.		1037
145.0180	Spot weld gas nozzle; ND Ø 21.0	10 Pcs.		1037
145.0186	Spot weld gas nozzle for pin-welding; ND Ø 16.0	10 Pcs.		1036
145.0432	Gas nozzle; tapered, with extended insulation; ND Ø 13.0	10 Pcs.		1036
145.0669	Gas nozzle; conical; ND Ø 17.0	10 Pcs.		1337
145.0678.10	Gas nozzle; cylindrical; ND Ø 20.0	10 Pcs.		1337

Spare Parts List (numerical)

Pos.	Description	Units	Part-No.	Product-group
145.D001	Gas nozzle M12; ND 12 galvanized	5 Pcs.		1536
145.D003	Gas nozzle M12; ND 17 galvanized; cylindrical	5 Pcs.		1336
145.D004	Gas nozzle M12; ND 12 galvanized; long	5 Pcs.		1336
145.D011	Gas nozzle M14; ND 16 galvanized	5 Pcs.		1536
145.D012	Gas nozzle M14; ND 14 galvanized; short	5 Pcs.		1336
145.D014	Gas nozzle M14; ND 18 galvanized; cylindrical	5 Pcs.		1336
145.D021	Gas nozzle M16; ND 18 galvanized	5 Pcs.		1537
145.D022	Gas nozzle M16; ND 16 galvanized; short	5 Pcs.		1337
145.D024	Gas nozzle M16; ND 21 galvanized; cylindrical	5 Pcs.		1337
145.D378.5	Gas nozzle (slip-on) D15; ND 16 galvanized	5 Pcs.		1537
146.0013	Nozzle insulator	10 Pcs.		1032
147.0054	Contact tip M6 CuCrZr silver-plated; Ø 0.8 (8x28)	10 Pcs.		1031
147.0062	Contact tip M6 CuCrZr silver-plated; Ø 0.8 (6x25)	10 Pcs.		1031
147.0117	Contact tip M8 CuCrZr silver-plated; Ø 0.8 (10x30)	10 Pcs.		1031
147.0245	Contact tip M6 CuCrZr silver-plated; Ø 1.0 (8x28)	10 Pcs.		1031
147.0256	Contact tip M6 CuCrZr silver-plated; Ø 1.0 (6x25)	10 Pcs.		1031
147.0316	Contact tip M8 CuCrZr silver-plated; Ø 1.0 (10x30)	10 Pcs.		1031
147.0382	Contact tip M6 CuCrZr silver-plated; Ø 1.2 (8x28)	10 Pcs.		1031
147.0445	Contact tip M8 CuCrZr silver-plated; Ø 1.2 (10x30)	10 Pcs.		1031
147.0481	Contact tip M10 CuCrZr silver-plated; Ø 1.2 (12x35)	10 Pcs.		1031
147.0536	Contact tip M8 CuCrZr silver-plated; Ø 1.4 (10x30)	10 Pcs.		1031
147.0590	Contact tip M8 CuCrZr silver-plated; Ø 1.6 (10x30)	10 Pcs.		1031
147.0616	Contact tip M10 CuCrZr silver-plated; Ø 1.6 (12x35)	10 Pcs.		1031
151.0010	Wire conduit RB cpl. black for 3.00 m			1012
151.0011	Wire conduit RB cpl. black for 4.00 m			1012
153.0028	Wire conduit Push Pull cpl. for 8.00 m			1012
153.0054	Bikox [®] power cable G-version for 8.00 m; B6			1011
153.0129	Bikox [®] power cable G-version for 8.00 m; B7			1011
154.0002	Wire conduit RAB Plus cpl. for 5.00 m			1012
154.0003	Wire conduit RAB Plus cpl. for 3.00 m			1012
154.0004	Wire conduit RAB Plus cpl. for 4.00 m			1012
155.0008	Wire conduit MB ERGO / ABIMIG [®] cpl. blue (wire Ø 1.6 onwards) for 3.00 m			1012
155.0009	Wire conduit MB ERGO / ABIMIG [®] cpl. blue (wire Ø 1.6 onwards) for 4.00 m			1012
155.0010	Wire conduit MB ERGO / ABIMIG [®] cpl. blue (wire Ø 1.6 onwards) for 5.00 m			1012
155.0018	Wire conduit MB cpl. blue (wire Ø 1.6 onwards) for 3.00 m			1012
155.0020	Wire conduit MB cpl. blue (wire Ø 1.6 onwards) for 4.00 m			1012
155.0022	Wire conduit MB cpl. blue (wire Ø 1.6 onwards) for 5.00 m			1012
156.0019	Wire conduit MB ERGO / ABIMIG [®] cpl. red (up to wire Ø 1.2) for 3.00 m			1012
156.0023	Wire conduit MB ERGO / ABIMIG [®] cpl. red (up to wire Ø 1.2) for 4.00 m			1012
156.0026	Wire conduit MB ERGO / ABIMIG [®] cpl. red (up to wire Ø 1.2) for 5.00 m			1012
156.0040	Wire conduit MB cpl. red (up to wire Ø 1.2) for 3.00 m			1012
156.0042	Wire conduit MB cpl. red (up to wire Ø 1.2) for 4.00 m			1012
156.0045	Wire conduit MB cpl. red (up to wire Ø 1.2) for 5.00 m			1012
156.0275	Wire conduit ABIMIG [®] GRIP / MB GRIP cpl. for 3.00 m			1012
156.0276	Wire conduit ABIMIG [®] GRIP / MB GRIP cpl. for 4.00 m			1012
156.0277	Wire conduit ABIMIG [®] GRIP / MB GRIP cpl. for 5.00 m			1012
160.0065	Bikox [®] power cable MB ERGO, B4 for 3.00 m			1011
160.0078	Bikox [®] power cable MB ERGO, B4 for 4.00 m			1011
160.0091	Bikox [®] power cable MB ERGO, B4 for 5.00 m			1011
160.0128	Bikox [®] power cable MB ERGO, B5 for 3.00 m			1011
160.0142	Bikox [®] power cable MB ERGO, B5 for 4.00 m			1011
160.0155	Bikox [®] power cable MB ERGO, B5 for 5.00 m			1011
160.0239	Bikox [®] power cable MB ERGO, B6 for 3.00 m			1011
160.0255	Bikox [®] power cable MB ERGO, B6 for 4.00 m			1011
160.0267	Bikox [®] power cable MB ERGO, B6 for 5.00 m			1011
160.0364	Bikox [®] power cable MB ERGO, B7 for 3.00 m			1011

Spare Parts List (numerical)

Pos.	Description	Units	Part-No.	Product-group
160.0379	Bikox® power cable MB ERGO, B7 for 4.00 m			1011
160.0391	Bikox® power cable MB ERGO, B7 for 5.00 m			1011
160.0549	Bikox® power cable RB, B10 for 3.00 m			1011
160.0560	Bikox® power cable RB, B10 for 4.00 m			1011
160.D427	Bikox® R-power cable MB GRIP / ABIMIG®, R5 for 3.00 m			1311
160.D428	Bikox® R-power cable MB GRIP / ABIMIG®, R5 for 4.00 m			1311
160.D429	Bikox® R-power cable MB GRIP / ABIMIG®, R5 for 5.00 m			1311
160.D430	Bikox® R-power cable MB GRIP / ABIMIG®, R6 for 3.00 m			1311
160.D431	Bikox® R-power cable MB GRIP / ABIMIG®, R6 for 4.00 m			1311
160.D432	Bikox® R-power cable MB GRIP / ABIMIG®, R6 for 5.00 m			1311
160.D434	Bikox® R-power cable MB GRIP / ABIMIG®, R7 for 3.00 m			1311
160.D435	Bikox® R-power cable MB GRIP / ABIMIG®, R7 for 4.00 m			1311
160.D436	Bikox® R-power cable MB GRIP / ABIMIG®, R7 for 5.00 m			1311
160.D520	Bikox® R-power cable MB GRIP / ABIMIG®, R4 for 3.00 m			1311
160.D521	Bikox® R-power cable MB GRIP / ABIMIG®, R4 for 4.00 m			1311
160.D522	Bikox® R-power cable MB GRIP / ABIMIG®, R4 for 5.00 m			1311
160.H025.1	Bikox® LW-power cable, R4 for 3.00 m			1511
160.H026.1	Bikox® LW-power cable, R4 for 4.00 m			1511
160.H027.1	Bikox® LW-power cable, R4 for 5.00 m			1511
160.H032.1	Bikox® LW-power cable, R5 for 3.00 m			1511
160.H033.1	Bikox® LW-power cable, R5 for 4.00 m			1511
160.H034.1	Bikox® LW-power cable, R5 for 5.00 m			1511
160.H039.1	Bikox® LW-power cable, R6 for 3.00 m			1511
160.H040.1	Bikox® LW-power cable, R6 for 4.00 m			1511
160.H041.1	Bikox® LW-power cable, R6 for 5.00 m			1511
160.H046.1	Bikox® LW-power cable, R7 for 3.00 m			1511
160.H047.1	Bikox® LW-power cable, R7 for 4.00 m			1511
160.H048.1	Bikox® LW-power cable, R7 for 5.00 m			1511
160.H053.1	Bikox® LW-power cable, R9 for 3.00 m			1511
160.H054.1	Bikox® LW-power cable, R9 for 4.00 m			1511
160.H055.1	Bikox® LW-power cable, R9 for 5.00 m			1511
165.0002	O-Ring 4x1		20 Pcs.	9010
165.0008	O-Ring 3.5x1.5		20 Pcs.	9010
165.0016	O-Ring 18x1.5		20 Pcs.	9010
165.0054	O-Ring 3x1.5		20 Pcs.	9010
173.0001	Hose clamp Ø 9.0 mm with ring (mark 9.5)		20 Pcs.	9010
173.0002	Hose clamp Ø 9.5 mm with ring (mark 10.0)		20 Pcs.	9010
173.0005	Hose clamp Ø 8.7 mm		20 Pcs.	9010
175.0003	Trigger wire connector; female		20 Pcs.	9010
175.0004	Plug		20 Pcs.	9010
175.0022	Trigger wire connector		20 Pcs.	9010
177.0002	Quick coupling with G 1/8" (internal thread)			1092
177.0003	Quick coupling with G 1/8" (external thread)			1092
177.0012	Quick coupling with G 3/8" (external thread)			1092
180.0014	Handle tube AUT			1095
180.0024	Handle pistol-type			1095
180.0029	Industrial handle blue cpl.			1095
180.0032	Industrial handle cpl.			1095
180.0076	ERGO handle with trigger cpl.			1095
180.0097	Handle tube AUT			1095
180.0110	Fume extraction handle cpl.			1095
180.0111	Handle ABIMIG® with trigger cpl.			1395
180.0114	Handle tube MT			1395
180.0127	Handle GRIP with trigger cpl.			1095
180.0132.1	Handle GRIP type S with trigger cpl.			1395
180.0133.1	Handle GRIP type SH with trigger cpl. (without module)			1395

Spare Parts List (numerical)

Pos.	Description	Units	Part-No.	Product-group
180.0134.1	Handle GRIP type TO with switch on top cpl.			1395
185.0005	Trigger 2-pole			9010
185.0027	Micro switch			9010
185.0031	Trigger 2-pole			9010
185.0101	Trigger 2-pole GRIP			9010
185.0107.5	Trigger 2-pole GRIP		5 Pcs.	1395
187.0003	Potentiometer 4.7 k-Ohm			9010
187.0004	Potentiometer 10.0 k-Ohm			9010
187.0006	Potentiometer 2.2 k-Ohm			9010
191.0001	Spanner			9010
191.D045	Spanner for ABIMIG®			1595
400.0032	Trigger			1095
400.0036	Center blade screw		20 Pcs.	1095
400.0037	Pressure spring		20 Pcs.	1095
400.0038	Trigger blade center		20 Pcs.	1095
400.0044	Torch body plastic GRIP			1095
400.0049	Trigger blade		20 Pcs.	1095
400.0056	Pressure spring		20 Pcs.	1095
400.0095	Insert bush M4		10 Pcs.	1095
400.0097	Ring			1095
400.0108	Potentiometer knob			1095
400.0114	Torch body brass			1095
400.0119	Insulating sleeve		20 Pcs.	1095
400.0137	Coupling nut M38x2			9010
400.0189	Cable support torch side			9010
400.0328	Biclip inside			9010
400.0329	Biclip outside			9010
400.0332	Biclip Set 25/28			9010
400.0790	Inner ring for ABIMIG® / ABIMIG® GRIP / MB GRIP (LC)			1095
400.0792	Cylinder head srew 4x10		20 Pcs.	1095
400.0949	Socket joint cpl.			1095
400.0956	Control module BIS-01L with potentiometer left 10 k-Ohm			1395
400.0957	Control module BIS-01R with potentiometer right 10 k-Ohm			1395
400.0958	Control module BIS-02 with potentiometer 10 k-Ohm LED for Migatronic			1395
400.0959	Control module BIS-06 with push-button and 4 LED			1395
400.0963	Control module BIS-10A with double push-button switch lengthwise			1395
400.0964	Control module BIS-10B with double push-button switch crosswise			1395
400.0966	Control module BIS-13A with double push-button 2x switch lengthwise for EWM			1395
400.1010	Cable support ND 19			1095
400.1011	Cable support ND 21			1095
400.1012	Control module BIS-18 with double push-button 2x switch (185.0059) for Cloos			1395
400.1076	Torch body plastic ERGO			1095
400.1085	Control module BIS-10D with double push-button switch crosswise for Fronius			1395
400.1124	Ball joint cable support for MB GRIP (AC)			1095
400.1125	Ball joint cable support for ABIMIG® GRIP / MB GRIP (LC)			1095
400.1213	Socket joint short			1095
400.1323.1	Ball joint cable support short for ABIMIG® GRIP A			1595
400.1333.1	Torch body			1595
400.1341.1	Adapter for handle GRIP type S, SH and TO			1395
500.0085	Nut M14x1		10 Pcs.	9010
500.0213	Adaptor nut M33x2			9010
500.0225	Cable support spring ND 19			9010
500.0233	Cable support spring			9010
500.0235	Cable support spring			1095
500.0251	Screw cap 1		20 Pcs.	9010
500.0274	Cable support spring big ND 31			9010

Spare Parts List (numerical)

Pos.	Description	Units	Part-No.	Product-group
500.0334	Hose guide			9010
500.0342	Cable support machine side big cpl. ND 31			9010
500.0362	Screw cap 2	20 Pcs.		9010
500.0375	Cable support spring ND 31			1095
501.0003	Central adaptor KZ-2			1095
501.0005	Central adaptor GZ-2			1095
501.0015	Central adaptor WZ-2			9010
501.0028	Central adaptor KZ-2 without control leads			1095
501.0034	Central adaptor WZ-2 without control leads			9010
501.0054	Central adaptor RGZ-2			1095
501.0077	Central adaptor RWZ-2			1095
501.0078	Central adaptor RWZ-2 without control leads			9010
501.0082	Coupling nut M10x1	10 Pcs.		9010
501.0114	Plug nipple ND 5 mm / Ø 6.0 mm	20 Pcs.		9010
501.0129	Liner positioner nut M14x1	10 Pcs.		9010
501.0158	Quick coupling with coupling nut G 1/4"			1092
501.0163	Quick coupling with coupling nut G 3/8" with power fitting			1092
501.0168	Brass body (gas axial)			1095
501.0169	Brass body (gas radial)			1095
501.0176	Quick coupling with coupling nut M12x1			1092
501.0183	Socket with control leads 600 mm (white)			1095
501.0188	Quick coupling with nut 5/8"; external thread left			1092
501.0189	Quick coupling with coupling nut G 3/8"			1092
501.0190	Quick coupling for hose Ø 8 mm			1092
501.0191	Quick coupling with coupling nut G 1/2"			1092
501.0194	Quick coupling with coupling nut M12x1.5			1092
501.0195	Quick coupling for hose Ø 10 mm			1092
501.0196	Quick coupling with coupling nut 7/8" 14G-UNF			1092
501.0197	Quick coupling with coupling nut M14x1			1092
501.0204	Quick coupling for hose Ø 6 mm			1092
501.0230	Quick coupling for hose Ø 6.5 mm			1092
501.0280	Power clamp			1095
501.0304	Gasket ring	20 Pcs.		1095
501.0588	Insulating flange Ø 50 mm			1095
501.0602	Insulating flange Ø 120 mm			1095
501.0616	Insulation flange Ø 85 mm			1095
501.2020	Socket with control leads 600 mm (brown)			1095
501.2166	Code colour ring red	20 Pcs.		9010
501.2167	Code colour ring blue	20 Pcs.		9010
501.2190	Blank Ø 22 (200 mm)			1095
501.2191	Blank Ø 16 (100 mm)			1095
501.2192	Blank Ø 16 (170 mm)			1095
501.2193	Blank Ø 16 (250 mm)			1095
501.2236	Connecting set machine side for ND 29			9010
501.2248	Cable support machine side			9010
501.2278	Cable support machine side			9010
501.2308	Insulating flange 60 mm, quadrangular			1095
501.2379	Cable support machine side			9010
501.2381	Insulating flange 85 mm, triangular			1095
501.2423	Fastener cap red			1095
501.2424	Fastener cap blue			1095
501.D342	Central adaptor RM 50 cpl.			1395
501.D536.5	Coupling nut M10x1, plastic	5 Pcs.		1595
501.D537.5	Coupling nut M14x1, plastic	5 Pcs.		1595
600.0078	Trigger			1095
600.0079	Pressure spring	10 Pcs.		1095

Spare Parts List (numerical)

Pos.	Description	Units	Part-No.	Product-group
600.2001	Outer neck			1095
600.2002	Outer neck			1095
600.2003	Fume shroud			1602
600.2004	Fume shroud			1602
600.2005	Fume shroud for gas nozzle Ø 20.0			1602
600.2006	Fume shroud			1602
600.2007	Hose connector cpl. for LW 32			1095
600.2008	Connector			1095
600.2015	Handle halves cpl. with slide			1095
600.2016	Slide			1095
600.2028	Spring clip			1095
600.2037	Spring clip			1095
602.0040	Fume shroud (funnel)			1602
602.0080	Connector			1095
602.0082	Hose connector cpl. for LW 28			1095
602.2001	Swan neck RAB Plus 15 AK cpl. with outer neck			1007
602.2002	Inner neck; 45° bent			1095
602.2003	Insulating part			1095
602.2004	RAB Plus 15 AK; central adaptor KZ-2; 3.00 m			1600
602.2005	RAB Plus 15 AK; central adaptor KZ-2; 4.00 m			1600
602.2006	RAB Plus 15 AK; central adaptor KZ-2; 5.00 m			1600
604.2001	Swan neck RAB Plus 25 AK			1007
604.2004	RAB Plus 25 AK; central adaptor KZ-2; 3.00 m			1600
604.2005	RAB Plus 25 AK; central adaptor KZ-2; 4.00 m			1600
604.2006	RAB Plus 25 AK; central adaptor KZ-2; 5.00 m			1600
612.0023	Fume shroud (funnel)			1602
612.2001	Swan neck RAB Plus 24 KD			1007
612.2002	RAB Plus 24 KD; central adaptor KZ-2; 3.00 m			1600
612.2003	RAB Plus 24 KD; central adaptor KZ-2; 4.00 m			1600
612.2004	RAB Plus 24 KD; central adaptor KZ-2; 5.00 m			1600
614.2001	Swan neck RAB Plus 36 KD			1014
614.2002	RAB Plus 36 KD; central adaptor KZ-2; 3.00 m			1600
614.2003	RAB Plus 36 KD; central adaptor KZ-2; 4.00 m			1600
614.2004	RAB Plus 36 KD; central adaptor KZ-2; 5.00 m			1600
623.2001	Swan neck RAB Plus 240 D			1009
623.2002	RAB Plus 240 D; central adaptor WZ-2; 3.00 m			1600
623.2003	RAB Plus 240 D; central adaptor WZ-2; 4.00 m			1600
623.2004	RAB Plus 240 D; central adaptor WZ-2; 5.00 m			1600
632.2001	Swan neck RAB Plus 501			1009
632.2009	Outer neck RAB 501			1095
632.2010	RAB Plus 501; central adaptor WZ-2; 3.00 m			1600
632.2011	RAB Plus 501; central adaptor WZ-2; 4.00 m			1600
632.2012	RAB Plus 501; central adaptor WZ-2; 5.00 m			1600
634.2001	Swan neck RAB Plus 501D			1009
634.2002	RAB Plus 501 D; central adaptor WZ-2; 3.00 m			1600
634.2003	RAB Plus 501 D; central adaptor WZ-2; 4.00 m			1600
634.2004	RAB Plus 501 D; central adaptor WZ-2; 5.00 m			1600
660.0001	Bikox [®] power cable 2-pole RAB Plus, B4 for 3.00 m			1011
660.0002	Bikox [®] power cable 2-pole RAB Plus, B4 for 4.00 m			1011
660.0003	Bikox [®] power cable 2-pole RAB Plus, B4 for 5.00 m			1011
660.0005	Bikox [®] power cable 2-pole RAB Plus, B5 for 3.00 m			1011
660.0006	Bikox [®] power cable 2-pole RAB Plus, B5 for 4.00 m			1011
660.0007	Bikox [®] power cable 2-pole RAB Plus, B5 for 5.00 m			1011
660.0010	Bikox [®] power cable 2-pole RAB Plus, B6 for 3.00 m			1011
660.0011	Bikox [®] power cable 2-pole RAB Plus, B6 for 4.00 m			1011
660.0012	Bikox [®] power cable 2-pole RAB Plus, B6 for 5.00 m			1011

Spare Parts List (numerical)

Pos.	Description	Units	Part-No.	Product-group
660.0014	Bikox® power cable 2-pole RAB Plus, B7 for 3.00 m			1011
660.0015	Bikox® power cable 2-pole RAB Plus, B7 for 4.00 m			1011
660.0016	Bikox® power cable 2-pole RAB Plus, B7 for 5.00 m			1011
766.0075	Central adaptor WZ-2 without control leads			1395
766.0230	Insulator		20 Pcs.	1395
766.0350	Swan neck ABIMIG® 452D W; 50° bent			1309
766.0370	Swan neck ABIMIG® 645W; 50° bent			1309
766.0377	Cooling jacket cpl.			1395
766.0390	Swan neck ABIMIG® 452W; 50° bent (wired-in contact tip holder)			1309
766.0400	ABIMIG® 452 D W; central adaptor WZ-2; 3.00 m (socket joint)			1302
766.0401	ABIMIG® 452 D W; central adaptor WZ-2; 4.00 m (socket joint)			1302
766.0402	ABIMIG® 452 D W; central adaptor WZ-2; 5.00 m (socket joint)			1302
766.0406	ABIMIG® 645 W; central adaptor WZ-2; 3.00 m (socket joint)			1302
766.0407	ABIMIG® 645 W; central adaptor WZ-2; 4.00 m (socket joint)			1302
766.0408	ABIMIG® 645 W; central adaptor WZ-2; 5.00 m (socket joint)			1302
766.0412	ABIMIG® 452 W; central adaptor WZ-2; 3.00 m (socket joint)			1302
766.0413	ABIMIG® 452 W; central adaptor WZ-2; 4.00 m (socket joint)			1302
766.0414	ABIMIG® 452 W; central adaptor WZ-2; 5.00 m (socket joint)			1302
766.0421	ABIMIG® 452 D W; central adaptor WZ-2; 3.00 m (socket joint short)			1302
766.0422	ABIMIG® 452 D W; central adaptor WZ-2; 4.00 m (socket joint short)			1302
766.0423	ABIMIG® 452 D W; central adaptor WZ-2; 5.00 m (socket joint short)			1302
766.0433	ABIMIG® 452 W; central adaptor WZ-2; 3.00 m (socket joint short)			1302
766.0434	ABIMIG® 452 W; central adaptor WZ-2; 4.00 m (socket joint short)			1302
766.0435	ABIMIG® 452 W; central adaptor WZ-2; 5.00 m (socket joint short)			1302
766.0438	Swan neck ABIMIG® -MT 452D W; straight			1310
766.0439	Swan neck ABIMIG® -MT 452D W; 45° bent			1310
766.0449	Swan neck ABIMIG® -MT 452W; straight			1310
766.0450	Swan neck ABIMIG® -MT 452W; 45° bent			1310
766.0459	Swan neck ABIMIG® -MT 645W; straight			1310
766.0460	Swan neck ABIMIG® -MT 645W; 45° bent			1310
766.0501	Central adaptor WZ-2			1395
766.0503	Central adaptor WZ-2 with spring-finger connector			1395
766.0518	Gas diffuser, long life		10 Pcs.	1332
766.0526.1	ABIMIG® GRIP W 555 D; type S; central adaptor WZ-2; 3.00 m			1302
766.0527.1	ABIMIG® GRIP W 555 D; type S; central adaptor WZ-2; 4.00 m			1302
766.0528.1	ABIMIG® GRIP W 555 D; type S; central adaptor WZ-2; 5.00 m			1302
766.0529.1	ABIMIG® GRIP W 555; type S; central adaptor WZ-2; 3.00 m			1302
766.0530.1	ABIMIG® GRIP W 555; type S; central adaptor WZ-2; 4.00 m			1302
766.0531.1	ABIMIG® GRIP W 555; type S; central adaptor WZ-2; 5.00 m			1302
766.0532.1	Swan neck ABIMIG® GRIP W 555 D; 50° bent			1309
766.0533.1	Swan neck ABIMIG® GRIP W 555; 50° bent			1309
766.0534.1	ABIMIG® GRIP W 605 D; type S; central adaptor WZ-2; 3.00 m			1302
766.0535.1	ABIMIG® GRIP W 605 D; type S; central adaptor WZ-2; 4.00 m			1302
766.0536.1	ABIMIG® GRIP W 605 D; type S; central adaptor WZ-2; 5.00 m			1302
766.0537.1	ABIMIG® GRIP W 605; type S; central adaptor WZ-2; 3.00 m			1302
766.0538.1	ABIMIG® GRIP W 605; type S; central adaptor WZ-2; 4.00 m			1302
766.0539.1	ABIMIG® GRIP W 605; type S; central adaptor WZ-2; 5.00 m			1302
766.0540.1	Swan neck ABIMIG® GRIP W 605 D; 50° bent			1309
766.0541.1	Swan neck ABIMIG® GRIP W 605; 50° bent			1309
766.0542.1	Swan neck ABIMIG® GRIP W 605 C; 50° bent			1309
766.0543.1	ABIMIG® GRIP W 605 C; type S; central adaptor WZ-2; 3.00 m			1302
766.0544.1	ABIMIG® GRIP W 605 C; type S; central adaptor WZ-2; 4.00 m			1302
766.0545.1	ABIMIG® GRIP W 605 C; type S; central adaptor WZ-2; 5.00 m			1302
766.0546.10	Gas diffuser, plastic		10 Pcs.	1332
766.1051	Collet body		10 Pcs.	1333
766.1070	Gas nozzle adaptor		10 Pcs.	1395

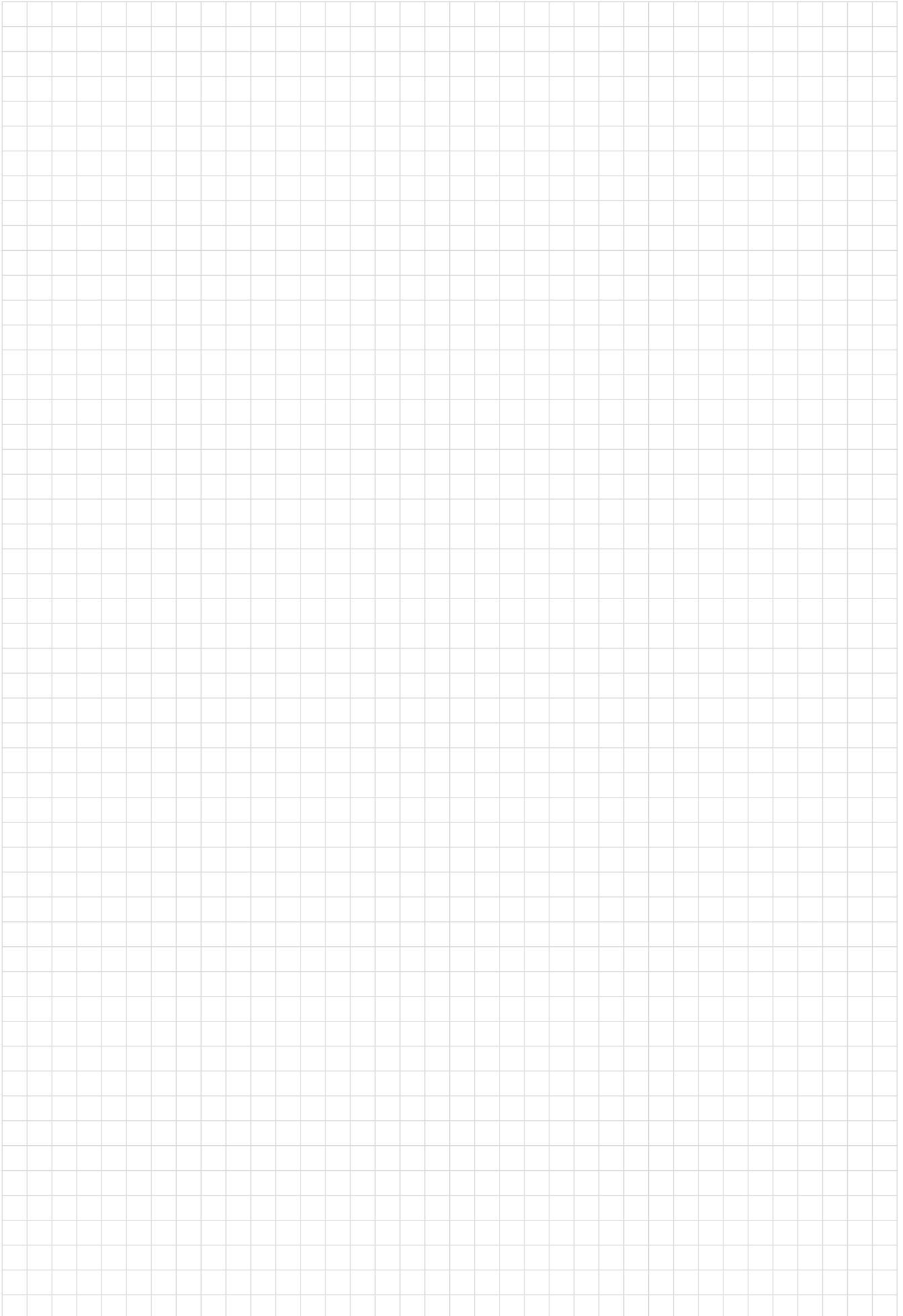
Spare Parts List (numerical)

Pos.	Description	Units	Part-No.	Product-group
766.1074	Gas nozzle; conical; ND Ø 16.0		2 Pcs.	1337
766.1075	Gas nozzle; cylindrical; ND Ø 19.0			1337
766.1078	Gas diffuser, long life		10 Pcs.	1332
766.1095	Gas diffuser, white		10 Pcs.	1332
766.1135	Gas diffuser, ceramic		10 Pcs.	1332
766.1185	Protective hose			1395
766.1240	ABIMIG® -MT 452D W; straight; handle tube; central adaptor WZ-2; 3.00 m			1305
766.1244	ABIMIG® -MT 452D W; 45°; handle tube; central adaptor WZ-2; 3.00 m			1305
766.1248	ABIMIG® -MT 452W; straight; handle tube; central adaptor WZ-2; 3.00 m			1305
766.1251	ABIMIG® -MT 452W; 45°; handle; central adaptor WZ-2; 3.00 m			1305
766.1254	ABIMIG® -MT 645W; straight; handle tube; central adaptor WZ-2; 3.00 m			1305
766.1256	ABIMIG® -MT 645W; 45°; handle tube; central adaptor WZ-2; 3.00 m			1305
767.D600.1	ABIMIG® GRIP A 155 LW; central adaptor KZ-2; 3.00 m			1303
767.D601.1	ABIMIG® GRIP A 155 LW; central adaptor KZ-2; 4.00 m			1303
767.D602.1	ABIMIG® GRIP A 155 LW; central adaptor KZ-2; 5.00 m			1303
767.D603.1	Swan neck ABIMIG® GRIP A 155; 45° bent			1307
767.D607.5	Spacer		5 Pcs.	1595
767.D630.1	ABIMIG® GRIP A 255 LW; central adaptor KZ-2; 3.00 m			1303
767.D631.1	ABIMIG® GRIP A 255 LW; central adaptor KZ-2; 4.00 m			1303
767.D632.1	ABIMIG® GRIP A 255 LW; central adaptor KZ-2; 5.00 m			1303
767.D633.1	Swan neck ABIMIG® GRIP A 255; 45° bent			1307
767.D637.5	Spacer		5 Pcs.	1595
767.D660.1	ABIMIG® GRIP A 305 LW; central adaptor KZ-2; 3.00 m			1304
767.D661.1	ABIMIG® GRIP A 305 LW; central adaptor KZ-2; 4.00 m			1304
767.D662.1	ABIMIG® GRIP A 305 LW; central adaptor KZ-2; 5.00 m			1304
767.D663.1	Swan neck ABIMIG® GRIP A 305; 45° bent			1309
767.D668.5	Spacer		5 Pcs.	1595
767.D690.1	ABIMIG® GRIP A 355 LW; central adaptor KZ-2; 3.00 m			1304
767.D691.1	ABIMIG® GRIP A 355 LW; central adaptor KZ-2; 4.00 m			1304
767.D692.1	ABIMIG® GRIP A 355 LW; central adaptor KZ-2; 5.00 m			1304
767.D693.1	Swan neck ABIMIG® GRIP A 355; 45° bent			1309
767.D720.1	ABIMIG® GRIP A 405; type S; LW; central adaptor KZ-2; 3.00 m			1304
767.D721.1	ABIMIG® GRIP A 405; type S; LW; central adaptor KZ-2; 4.00 m			1304
767.D722.1	ABIMIG® GRIP A 405; type S; LW; central adaptor KZ-2; 5.00 m			1304
767.D723.1	Swan neck ABIMIG® GRIP A 405; 45° bent			1309
767.D729.5	Spacer		5 Pcs.	1595
902.0003	Swan neck AUT 15 AK; straight			1010
902.0004	Swan neck AUT 15 AK; 45° bent			1010
902.0007	Gas nozzle holder AUT 15 AK			1095
902.0015	Head insulator AUT 15 AK			1095
902.0022	AUT 15 AK; 0°; handle tube; central adaptor KZ-2; 3.00 m			1003
902.0023	AUT 15 AK; 45°; handle tube; central adaptor KZ-2; 3.00 m			1003
904.0003	Swan neck AUT 25 AK; straight			1010
904.0004	Swan neck AUT 25 AK; 45° bent			1010
904.0026	AUT 25 AK; 0°; handle tube; central adaptor KZ-2; 3.00 m			1003
904.0027	AUT 25 AK; 45°; handle tube; central adaptor KZ-2; 3.00 m			1003
912.0001	Swan neck AUT 24 KD; straight			1010
912.0002	Swan neck AUT 24 KD; 45° bent			1010
912.0009	AUT 24 KD; 0°; handle tube; central adaptor KZ-2; 3.00 m			1003
912.0012	AUT 24 KD; 45°; handle tube; central adaptor KZ-2; 3.00 m			1003
913.0001	Swan neck AUT 61 GD; straight			1010
913.0015	AUT 61 GD; 0°; handle tube; central adaptor RGZ-2; 3.00 m			1003
914.0001	Swan neck AUT 26/36; 45° bent			1010
914.0002	Swan neck AUT 26/36; straight			1010
914.0013	AUT 36 KD; 0°; handle tube; central adaptor KZ-2; 3.00 m			1003
914.0014	AUT 36 KD; 45°; handle tube; central adaptor KZ-2; 3.00 m			1003

Spare Parts List (numerical)

Pos.	Description	Units	Part-No.	Product-group
918.0004	AUT 26 KD; 45°; handle tube; central adaptor KZ-2; 3.00 m			1003
918.0005	AUT 26 KD; 0°; handle tube; central adaptor KZ-2; 3.00 m			1003
923.0001	Swan neck AUT 240 D; straight			1010
923.0002	Swan neck AUT 240 D; 45° bent			1010
923.0005	AUT 240 D 0°; handle tube; central adaptor WZ-2; 3.00 m			1003
923.0009	AUT 240 D 45°; handle tube; central adaptor WZ-2; 3.00 m			1003
932.0001	Swan neck AUT 401/501; straight			1010
932.0002	Swan neck AUT 401/501; 45° bent			1010
932.0045	AUT 401/501; 0°; handle tube; central adaptor WZ-2; 3.00 m			1003
932.0046	AUT 401/501; 45°; handle tube; central adaptor WZ-2; 3.00 m			1003
934.0001	Swan neck AUT 401 D/501 D; straight			1010
934.0002	Swan neck AUT 401 D/501 D; 45° bent			1010
934.0032	AUT 401/501 D; 0°; handle tube; central adaptor WZ-2; 3.00 m			1003
934.0033	AUT 401/501 D; 45°; handle tube; central adaptor WZ-2; 3.00 m			1003
935.0001	Swan neck AUT 610 D; straight			1010
935.0010	AUT 610 D; 0°; handle tube; central adaptor RWZ-2; 3.00 m			1003
939.0062	Swan neck AUT 602; 45° bent			1010
939.0064	Swan neck AUT 602; straight			1010
939.0083	AUT 602; 0°; handle tube; central adaptor WZ-2; 3.00 m			1003
939.0086	AUT 602; 45°; handle tube; central adaptor WZ-2; 3.00 m			1003

Notes



Standard Terms and Conditions of Deliveries and Services (Terms and Conditions of Sale) of Alexander Binzel Schweisstechnik GmbH & Co. KG

§ 1 Validity of the Terms and Conditions of Business

- 1.1 All our deliveries, services and tenders take place exclusively on the basis of these Standard Terms and Conditions of Deliveries and Services Payment (hereinafter called "these business conditions"). These business conditions are an element of all agreements that we conclude with our contractual partners (hereinafter called "customers").
- 1.2 The customer's Standard Terms and Conditions of Business do not apply, even if we do not contradict their validity in individual cases. Neither does reference to a letter that contains the customer's or a third party's Standard Terms and Conditions of Business, or refers to such, constitute an agreement with the validity of the aforesaid Standard Terms and Conditions of Business. They also do not become a contractual element through conclusive actions, such as the production of a performance by us.
- 1.3 The business conditions apply to all agreements on deliveries and services on our part, as well as all peripheral services. These business conditions are valid for all future deliveries and services on our part even without a separate agreement of inclusion.

§ 2 Tender and conclusion of the agreement

- 2.1 Insofar as our tenders are marked expressly as being subject to change, we can also revoke these immediately after receipt of acceptance by the customer.
- 2.2 The customer does not acquire any copyright in any tenders or cost estimates submitted by us, nor to any drawings, illustrations, calculations, descriptions, models, tools and other documents and material resources made available to him. This also applies to those materials and documents mentioned that are expressly labelled "confidential" or whose confidential character arises from the circumstances. The passing on of the abovementioned materials and documents to third parties requires at any rate our permission. The customer must ensure this by appropriate agreements with his employees or any other persons who work with knowledge and consent in his area of responsibilities. The abovementioned materials and documents must be returned immediately at the customer's expense, if an agreement does not come into being or they are no longer required for further contractual implementation.

§ 3 Prices

- 3.1 Unless otherwise stated in the order confirmation, our prices are valid "ex Works", excluding packaging; this will be charged separately.
- 3.2 Legal value-added tax is not included in our prices. It is shown separately in the invoice in the amount legally prescribed on the day of invoicing. In the case of foreign transactions, the value-added tax no longer applies; however, the recipient must pay the taxes and fees incurred for the transfer into the recipient's country, especially customs duties and the additional legal taxes or charges incurred in the recipient's country itself.
- 3.3 The deduction of a discount for cash requires a separate agreement. The customer's Standard Terms and Conditions of Business, which call for the deduction of a cash discount, do not apply.

§ 4 Implementation of the deliveries and services, delivery and service times

- 4.1 Unless otherwise agreed, the delivery takes place "ex Works".
- 4.2 The start of the delivery or service time stated by us presupposes the clarification of all technical issues.
- 4.3 Furthermore, the observance of our delivery and service obligations presupposes the customer's punctual and proper performance. We are fully entitled to the plea of non-performance.
- 4.4 If the person ordering is in default of taking delivery or infringes any other duties to cooperate, we are entitled to request replacement of any loss incurred by us in this respect, including any additional expenditure. More extensive claims remain unaffected.
- 4.5 Insofar as the conditions of § 4 (4) are met, the risk of accidental loss or unintentional deterioration of the object to be delivered passes to the customer at that point in time, when he has fallen into default of taking delivery.
- 4.6 If it has been agreed with the customer that our delivery or service does not have to take place at a fixed time, but within a certain period, we are entitled to deliver or produce our performance before the expiration of the period also. If a fixed date has been agreed with the customer, we are entitled to premature delivery or production of the performance, after having given the customer reasonable notice of this before delivery or production of the performance. This does not apply, if the delivery can only take place on the agreed date for reasons discernible for us.
- 4.7 Unless otherwise agreed, the customer, in the case of agreements that entitle him to request partial deliveries from a total quantity of goods, is obligated to give us punctual requests and assortment plans for approximate identical monthly quantities. If the customer does not request delivery punctually or does not plan in good time, we are entitled to take over the planning ourselves and to deliver the goods after a reasonable extended deadline has passed fruitlessly. If the customer fails to request delivery at all or in good time or fails to plan at all or in good time we are entitled to withdraw from the entire agreement after prior warning. Any compensation claims to which we are legally entitled remain at any rate unaffected.
- 4.8 With regard to order for goods to be delivered on demand according to § 4 (7) of these business conditions, we are entitled, unless otherwise agreed, to procure the material for the entire order and to manufacture the entire quantity ordered immediately. Requests from the customer for changes can no longer be taken into consideration after the order has been placed.
- 4.9 Increased or short deliveries are permissible in accordance with ordinary trade usage.

§ 5 Delays in delivery

- 5.1 Stoppages caused by force majeure, strikes for which we are not responsible or lock-outs or a lack of operating and/or raw materials entitle us, to withdraw from the not yet fulfilled agreement, if the abovementioned circumstances make delivery or performance impossible not only temporarily and in addition were not discernible on conclusion of the agreement.
- 5.2 If we are in delay with a delivery or service or if a delivery or service becomes impossible for us, the customer's claim for compensation is restricted subject to § 9 of these business conditions.

§ 6 Place of performance, shipment, packaging, passing of the risk

- 6.1 The place of performance for all obligations from the contractual relationship with the customer is Buseck/Alten-Buseck.
- 6.2 Unless otherwise agreed, we will select the most economical packaging known to us and the most economical type of shipment known to us.
- 6.3 Unless otherwise agreed, the risk passes to the customer at the latest with the handover of the delivered objects to the shipping contractor, carrier or other company appointed with the implementation of the consignment. § 4 (4) remains unaffected.
- 6.4 The shipment will only be insured by us against theft, breakage, damage during transport, fire and water damage or any other insurable risks at the express written request of the customer and at his expense.
- 6.5 We will only take back packaging in our storehouses (return depots). The customer pays the costs of transporting the packaging to the respective return depot. If packaging different from the standard packaging (special packaging) is used at the customer's request, the customer is obliged to recycle or dispose of this at his own expense.

§ 7 Customer's claims in case of defects or incomplete deliveries and services

- 7.1 The objects delivered by us must be carefully examined immediately after delivery to the customer or to the third party appointed by him. They are considered approved, if a complaint, that could have been discovered on careful examination, is not reported in writing within three days after

receipt of the goods, the date of sending the complaint to us being decisive. If the defect was not noticeable by careful examination, the obligation to report the complaint immediately in writing is valid from the time of discovery.

- 7.2 If a delivery or service defect exists, for which we are responsible, we are obliged, at our option, to remedy the defect or deliver a replacement. In the case of remedying the defect, we are obliged to pay all costs required to remedy the defect, in particular transport, labour and material costs, unless these are increased by the fact that the purchased object was taken to a different location than the original place of consignment. This does not apply, if transporting the delivered object to another location corresponds to its agreed use. If we select subsequent performance in the form of replacement, the delivered objects with failures must be sent back to us carriage paid, whereby the customer is obliged to select the most economical type of shipment.
- 7.3 The limitation period for claims based on quality defects. The warranty period amounts to one year and begins with the time of delivery to the customer or to a third party appointed by the customer.
- 7.4 The delivery of used objects takes place excluding any warranty whatsoever.

§ 8 Purchase of consumer goods

§ 7 (3) does not apply, if the newly manufactured objects delivered by us are sold to consumers, also within the context of a chain of suppliers.

§ 9 Compensatory damages

- 9.1 We are only liable - regardless of for which legal reason - for the wilful and gross negligent conduct of our agencies and vicarious agents as well as - without regard to the degree of culpability - for damages from injury to life, body or health.
- 9.2 We are also responsible for slight negligence by our agencies and vicarious agents in the event of delay in performance or infringement of any other cardinal duty. In such a case our liability is restricted to damage that has to be reasonably expected when concluding such an agreement.
- 9.3 All limitations of liability also apply in the event that the infringement of contractual duties simultaneously represents an actionable tort.

§ 10 Reservation of ownership

- 10.1 We retain the right to ownership of the delivered object until all payments from the delivery agreement have been received. In the event of breach of contract by the customer, especially in the case of default of payment, we are entitled to take the delivered object back after a reasonable extended deadline has passed fruitlessly. Taking back the delivered object does not signify a withdrawal from the agreement, unless expressly declared by us in writing. The seizure of the delivered goods/object by us invariably represents a withdrawal from the agreement. After repossessing taking back the delivered goods/object, we are authorised to sell them; the proceeds from the sale will be deducted from the customer's liabilities - minus reasonable realisation costs.
- 10.2 The customer is obliged to keep the delivered objects in safe custody for us and to treat them with care.
- 10.3 In the event of seizures or any other third-party encroachments on our delivered objects, the customer must notify us immediately in writing so that we can take legal action according to § 771 Civil Procedure Rules (ZPO). If the third party is not in a position to refund us the legal and out-of-court costs of a lawsuit according to § 771 ZPO, the customer person ordering is liable for the loss incurred by us.
- 10.4 The customer is entitled to re-sell the delivered object in the normal course of business; however, he now already assigns us all demands amounting to the final invoice amount (including value-added tax) of our demand arising against his customers or third parties from the resale, regardless of whether the delivered object is re-sold with or without processing. The customer is also authorised to collect this demand after the assignment. Our authorisation to collect the demand ourselves remains unaffected by this. However, we agree not to collect the demand as long as the customer fulfils his payment obligations from the collected revenue, does not fall behind in his payments, and in particular no application for commencement of insolvency proceedings has been filed or there is a suspension of payments. However, if this is the case, we can request that the customer informs us of the assigned demands and their debtor immediately, gives us all details necessary for their collection, hands over the relevant documentation and notifies the debtor (third party) of the assignment immediately and informs us thereof by means of a copy/accompanying letter.
- 10.5 The processing or transformation of the delivered objects by the customer will always be carried out on our behalf by us. If the delivered object is processed with other objects that do not belong to us, we acquire co-ownership of the new object in the ratio of the value of the delivered object (final invoice amount including value-added tax) to the other processed objects at the time of processing. The same provisions apply otherwise for the object created by the aforesaid processing as for the object delivered with reservations.
- 10.6 If the delivered object is inseparably mixed with other objects that do not belong to us, we acquire co-ownership of the new object in the ratio of the value of the delivered object (final invoice amount including value-added tax) to the other mixed objects at the time of mixing. If the mixing takes place in a way in which the customer's object is to be regarded as the main object, it is considered agreed that the customer will transfer proportionate co-ownership to us. The customer will safeguard the created sole ownership or co-ownership for us.
- 10.7 At the customer's request, we undertake to release the securities to which we are entitled insofar as the feasible value of our securities exceeds the demands to be safeguarded by more than 10 %; we are entitled to select the securities to be released.

§ 11 Terms of payment

- 11.1 Unless otherwise agreed, our invoice amounts are payable within 30 days without any deduction. On expiration of this deadline, the customer is in default of payment without a warning on our part being required.
- 11.2 The customer may not exercise any right of set-off unless his/its counterclaim shall be undisputed or conclusively ruled upon. The same applies to the assertion of a right of retention.

§ 12 Written form and final provisions

- 12.1 Any regulations deviating from these business conditions require the written form. This does not apply to regulations, which have been agreed from our side with Managing Directors or authorised signatories.
- 12.2 The legal venue for any disputes from the business relationship between us and the customer is Gießen. However, we are also entitled to take legal action against the customer at his standard legal venue as well as at the location to which the delivered object was sent at the customer's request.
- 12.3 All legal relationships in connection with entering in, performing under or termination of this agreement shall be governed and construed in all respects in accordance with the laws of the Federal Republic of Germany with the exclusion of the Convention on Contracts for the International Sale of Goods (CISG). This also applies, if the legal relationships arise from tort or based on any other legal bases.

Our product range:

■ MIG/MAG

- Welding Torches
- Machine and Special Torches
- Push-Pull Welding Torches
- Fume Extraction Torches
- Central Adaptor System

■ TIG

- Welding Torches
- Machine and Special Torches

■ PLASMA

- Cutting Torches
- Welding Torches
- Machine and Special Torches

■ Robotic Peripheral Equipment

- Robot Torches
MIG/TIG/Plasma
- Robot Mount CAT2/iCAT
- Torch Change System
ATS-Rotor
- Tool Change System WWS
- Wire Cutting Station DAV
- Torch Cleaning Station
BRS-LC, BRS-CC and BRS-FP
- Wire Feeding Station APD-MF

■ Welding Accessories

- Coolers
- Welding Cable Plug and Socket
- Anti Spatter Spray and Paste
and so on ...



ABICOR
BINZEL® 

Alexander Binzel Schweisstechnik GmbH & Co. KG
P.O. Box 10 01 53 · D-35331 Gießen
Phone: +49 (0) 64 08 / 59-0
Fax: +49 (0) 64 08 / 59-191
Email: info@binzel-abicor.com

www.binzel-abicor.com